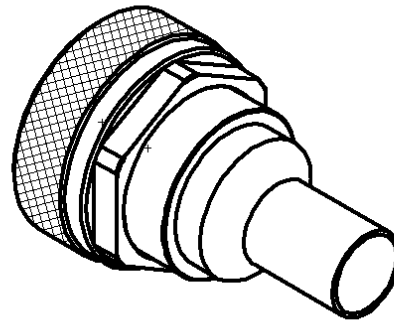
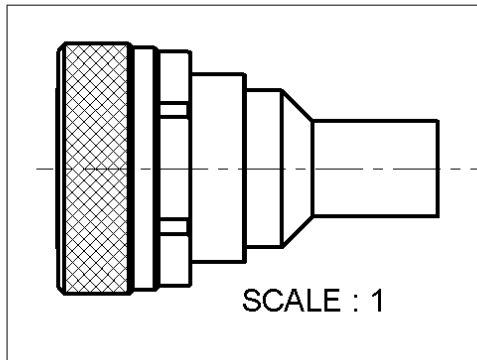
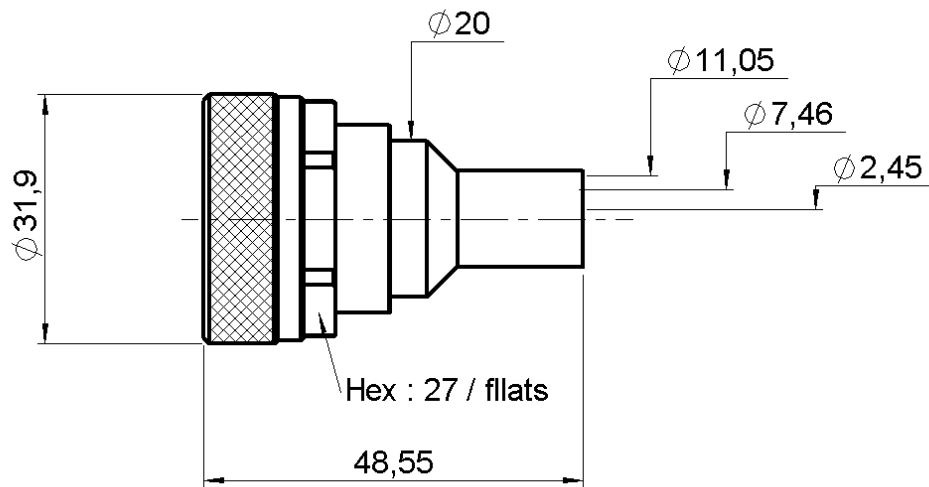


STRAIGHT PLUG CRIMP TYPE

R185.074.000

CABLE 10/50 S

Series : 7-16



All dimensions are in mm.



COMPONENTS	MATERIALS	PLATINGS (μm)
BODY	BRASS	BBR 0.5 OVER SILVER 3
CENTER CONTACT	BRASS	SILVER 5 OVER COPPER 0.5
OUTER CONTACT	BRASS	SILVER 5 OVER COPPER 0.5
INSULATOR	PTFE	
GASKET	SILICONE RUBBER	
OTHERS PARTS	BRASS	BBR 2
-	-	-
-	-	-

Issue : 0151 E

In the effort to improve our products, we reserve the right to make changes judged to be necessary.



STRAIGHT PLUG CRIMP TYPE

R185.074.000

CABLE 10/50 S

Series : 7-16

PACKAGING

Standard	Unit	Other
20	'W' option	Contact us

SPECIFICATION

ELECTRICAL CHARACTERISTICS

Impedance		50 Ω
Frequency		0-7.5 GHz
VSWR	1.20 +	0.000 x F(GHz) Maxi
Insertion loss		0.05 √F(GHz) dB Maxi
RF leakage	- (95 - F(GHz)) dB Maxi
Voltage rating		1400 Veff Maxi
Dielectric withstanding voltage		2700 Veff mini
Insulation resistance		10000 MΩ mini

CABLE ASSEMBLY

Stripping	a	b	c	d	e	f
mm	4.50	7.50	12.0	0.00	0.00	0.00

Assembly instruction : **Crimp 01**

Recommended cable(s)
 RG 213
 KX 4
 RG 393

Cable retention
 - pull off **250** N mini
 - torque **NA** N.cm

MECHANICAL CHARACTERISTICS

Center contact retention		
Axial force – Mating end	200	N mini
Axial force – Opposite end	200	N mini
Torque	NA	N.cm mini

TOOLING

Part Number	Description	Hexagon
.	.	.
R282.235.116	CRIMPING DIES	10.54
R282.293.000	CRIMPING TOOL	-
R282.231.000	CRIMPING TOOL	10.54

Recommended torque		
Mating	3000	N.cm
Panel nut	NA	N.cm
Clamp nut	NA	N.cm
A/F clamp nut	0.000	mm

OTHERS CHARACTERISTICS

ROS : 1.10 a 3 GHz

Mating life	500	Cycles mini
Weight	93.800	g

ENVIRONMENTAL

Operating temperature	-55/+155	° C
Hermetic seal	NA	Atm.cm3/s
Panel leakage	NA	

Issue : 0151 E

In the effort to improve our products, we reserve the right to make changes judged to be necessary.

