

2071566-1 ✓ ACTIVE

SCHRACK | SCHRACK Accessories Miniature Relay PT

TE Internal #: 2071566-1

Relay Accessories, Sockets & Clips, Socket, DIN Rail Mount, Polycarbonate, Miniature Relays PT, SCHRACK Accessories Miniature Relay PT

[View on TE.com >](#)



Relays, Contactors & Switches > Relays > Relay Accessories, Sockets & Clips



Relay Accessory, Socket & Clip Product Type: **Socket**

Relay Accessory, Socket & Clip Socket Type: **DIN Rail Mount**

Grounding Provision: **Without**

Relay Accessory, Socket & Clip Body Material: **Polycarbonate**

Relay Accessory, Socket & Clip For Use With: **Miniature Relays PT**

## Features

### Product Type Features

Relay Accessory, Socket & Clip Product Type	Socket
Relay Accessory Type	DIN Rail Socket

### Configuration Features

Grounding Provision	Without
---------------------	---------

### Body Features

Relay Accessory, Socket & Clip Body Material	Polycarbonate
--	---------------

### Contact Features

Relay Accessory, Socket & Clip Socket Type	DIN Rail Mount
Pole Configuration	4

### Mechanical Attachment

Relay Accessory, Socket & Clip Mounting Type	DIN Rail Snap Mount
--	---------------------

### Operation/Application

Relay Accessory, Socket & Clip For Use With	Miniature Relays PT
---	---------------------



## Product Compliance

[For compliance documentation, visit the product page on TE.com>](#)

EU RoHS Directive 2011/65/EU	Compliant
EU ELV Directive 2000/53/EC	Compliant
China RoHS 2 Directive MIIT Order No 32, 2016	No Restricted Materials Above Threshold
EU REACH Regulation (EC) No. 1907/2006	Current ECHA Candidate List: JAN 2023 (233) Candidate List Declared Against: JUNE 2022 (224) Does not contain REACH SVHC
Halogen Content	Low Halogen - Br, Cl, F, I < 900 ppm per homogenous material. Also BFR/CFR/PVC Free
Solder Process Capability	Not applicable for solder process capability

### Product Compliance Disclaimer

This information is provided based on reasonable inquiry of our suppliers and represents our current actual knowledge based on the information they provided. This information is subject to change. The part numbers that TE has identified as EU RoHS compliant have a maximum concentration of 0.1% by weight in homogenous materials for lead, hexavalent chromium, mercury, PBB, PBDE, DBP, BBP, DEHP, DIBP, and 0.01% for cadmium, or qualify for an exemption to these limits as defined in the Annexes of Directive 2011/65/EU (RoHS2). Finished electrical and electronic equipment products will be CE marked as required by Directive 2011/65/EU. Components may not be CE marked. Additionally, the part numbers that TE has identified as EU ELV compliant have a maximum concentration of 0.1% by weight in homogenous materials for lead, hexavalent chromium, and mercury, and 0.01% for cadmium, or qualify for an exemption to these limits as defined in the Annexes of Directive 2000/53/EC (ELV). Regarding the REACH Regulation, the information TE provides on SVHC in articles for this part number is based on the latest European Chemicals Agency (ECHA) 'Guidance on requirements for substances in articles' posted at this URL: <https://echa.europa.eu/guidance-documents/guidance-on-reach>

## Compatible Parts

 <p>TE Part # 5-1415026-1 PT580L24</p>	 <p>TE Part # 9-1419111-0 PT570615</p>	 <p>TE Part # 9-1419111-8 PT571730</p>	 <p>TE Part # 7-1415001-1 PT570R24</p>
---	---	---	---



TE Part # 1-1393154-2  
PT570024



TE Part # 9-1419111-1  
PT570730



TE Part # 8-1415001-1  
PT570T30



TE Part # 6-1415001-1  
PT570L24



TE Part # 7-1415003-1  
PT570S15



TE Part # 2-1393154-2  
PT580730



TE Part # 7-1415026-1  
PT580T30



TE Part # 9-1419111-3  
PT571024



TE Part # 1-1393154-7  
PT580024



TE Part # 8-1419111-7  
PT570524



TE Part # 7-1415541-0  
PT570LC4



TE Part # 9-1419111-6  
PT571524



TE Part # 7-1419135-2  
PT581024



TE Part # 2071566-7  
PT28D00

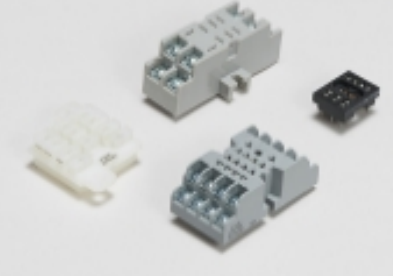


TE Part # 2071566-9  
PT28D01



TE Part # 6-1415026-1  
PT580R24

### Also in the Series | SCHRACK Accessories Miniature Relay PT



Relay Accessories, Sockets & Clips(54)

### Customers Also Bought



TE Part #206038-1  
CPC RECPT ASSEMBLY SIZE 17-28



TE Part #206150-1  
CPC PLUG ASSEMBLY SIZE 23-37



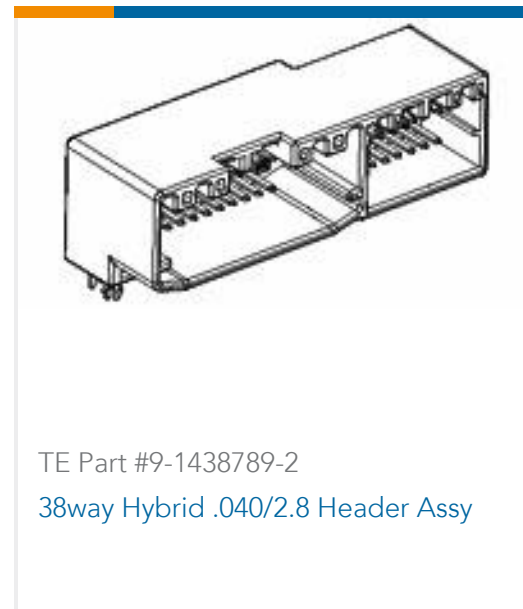
TE Part #1-1827864-2  
DYNAMIC 1200D REC HSG 4P X  
BLACK



TE Part #1827572-2  
DYNAMIC D1000 REC CONT 2L AU  
0.38um FORM



TE Part #61407-3  
187 FASTON TPBR



TE Part #9-1438789-2  
38way Hybrid .040/2.8 Header Assy



TE Part #1SNL605010R0000  
C2.5/5



TE Part #2071566-3  
PT78C2P

## Documents

### Product Drawings

#### PT78C4P

English

### CAD Files

#### Customer View Model

[ENG\\_CVM\\_CVM\\_2071566-1\\_1.3d\\_stp.zip](#)

English

#### Customer View Model

[ENG\\_CVM\\_CVM\\_2071566-1\\_1.2d\\_dxf.zip](#)

English

#### Customer View Model

[ENG\\_CVM\\_CVM\\_2071566-1\\_1.3d\\_igs.zip](#)

English

### 3D PDF

3D

By downloading the CAD file I accept and agree to the [Terms and Conditions](#) of use.

### Datasheets & Catalog Pages

#### ACCESSORIES FOR MINIATURE RELAY PT

English

### Agency Approvals

#### CE Declaration of Conformity

English