

5

4

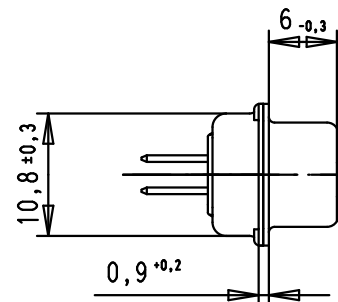
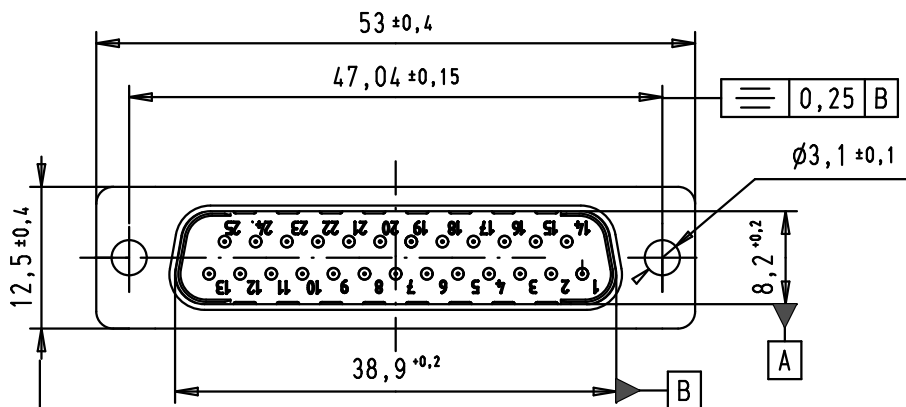
3

2

1

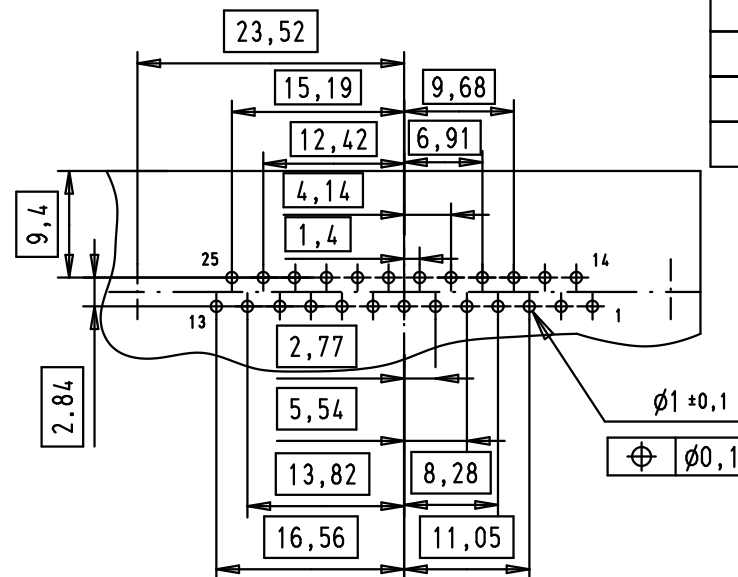
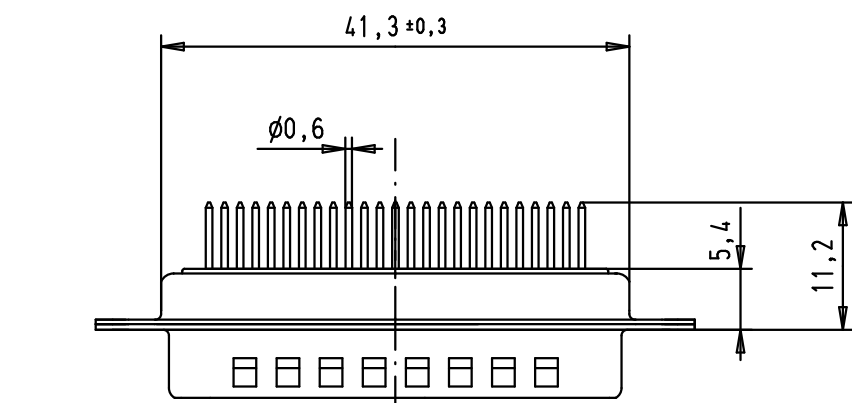
SPECIFICATION

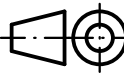
Performance level	PL2
Filter type	C
Capacitance	47pf±20%
Working Voltage	100v
Current Rating	7,5A
Insulation Resistance	>1GΩ



PCB Layout, Component side

FREQUENCY (MHz)	ATTENUATION dB
5	-
10	-
50	-
100	-
500	30dB
1000	35dB



			Dot.	Name	 All Dim. in mm Orig. Size DIN A 4
			Detail.	8-JUL-02	
			Insp.	09/12/11	JB
36283	09/12/11	SD	Stand.		
33423	06/02/06	JMDR	HARTING EURL F-95972 Paris		
31058	8-JUL-02	CV			
Mod.	Dot.	Name			

D-Sub, male, straight,
25 Poles, turned solder pin,
dimples and fixing holes

Ma?Mstab/
Scale

1.5:1

TB 09643227210

Blatt/ Page

1 / 1

Sub.