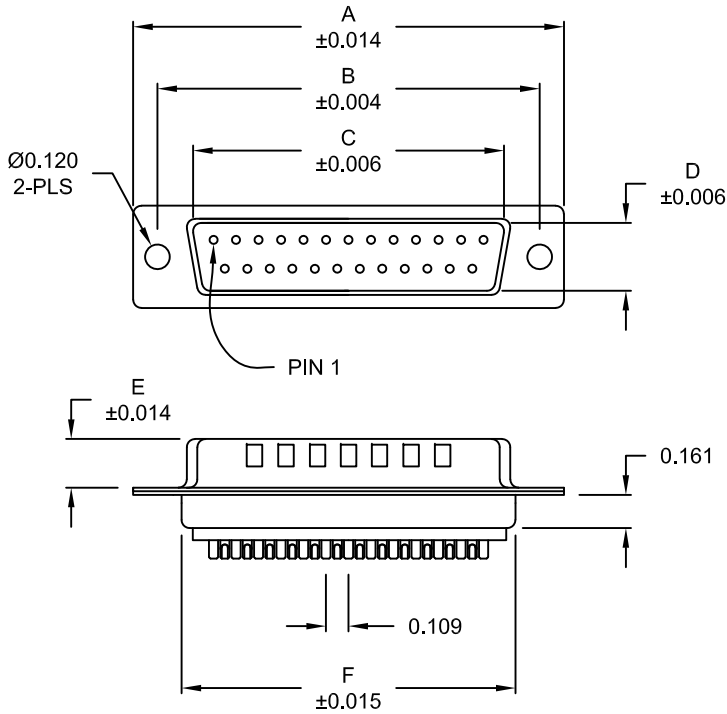
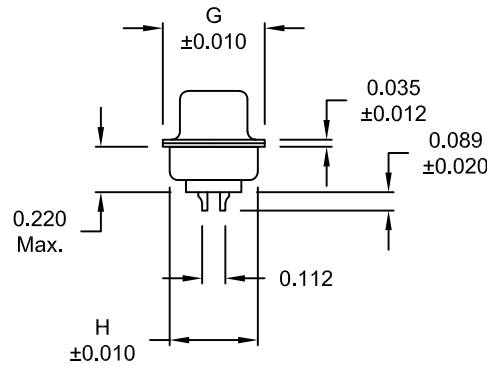


DESCRIPTION: MALE - SOLDER CUP - MACHINED - ECONOMY



WILL ACCEPT  
26-20 AWG WIRE

No. OF PINS	DIMENSIONS							
	A	B	C	D	E	F	G	H
9	1.213	0.984	0.666	0.329	0.236	0.756	0.496	0.427
	30.80	24.99	16.92	8.36	5.99	19.20	12.60	10.85
15	1.541	1.312	0.994	0.329	0.236	1.091	0.496	0.427
	39.15	33.32	25.25	8.36	5.99	27.70	12.60	10.85
25	2.087	1.852	1.534	0.329	0.236	1.618	0.496	0.427
	53.00	47.04	38.96	8.36	5.99	41.10	12.60	10.85



**772-EYY-1 0 Y R YY 1**

SERIES \_\_\_\_\_  
 POSITIONS \_\_\_\_\_  
 E09 \_\_\_\_\_  
 E15 \_\_\_\_\_  
 E25 \_\_\_\_\_  
 GENDER \_\_\_\_\_  
 1 = MALE \_\_\_\_\_  
 TERMINATION \_\_\_\_\_  
 0 = SOLDER CUP \_\_\_\_\_  
 SHELL PLATING \_\_\_\_\_  
 2 = TIN (GROUND INDENTS) \_\_\_\_\_  
 3 = NICKEL (GROUND INDENTS) \_\_\_\_\_  
 RoHS COMPLIANT \_\_\_\_\_  
 HARDWARE OPTIONS \_\_\_\_\_  
 00 = NO HARDWARE \_\_\_\_\_  
 01 = 0.098" 4-40 INSERT, BOARD SIDE \_\_\_\_\_  
 PLATING OPTIONS \_\_\_\_\_  
 1 = GOLD FLASH \_\_\_\_\_

**MATERIAL:**

SHELL: STEEL, NICKEL OR TIN PLATED  
 INSULATOR: UL 94V-O RATED PA6T  
 PROCESS TEMP.: 260°C  
 CONTACT: BRASS  
 SEALING MATERIAL: F08 FLEXABLE ADHESIVE

**ELECTRICAL:**

CURRENT RATING: 5 AMPS  
 CONTACT RESISTANCE: 15 mOhms Max.  
 INSULATION RESISTANCE: 1,000 MOhms min.  
 VOLTAGE: 500VAC FOR 1 MINUTE  
 TEMPERATURE: -55° C TO 125° C

**MEETS IP67 STANDARDS**

(SEE PAGE 2 FOR SEALING DETAILS)

DO NOT SCALE FROM DRAWING



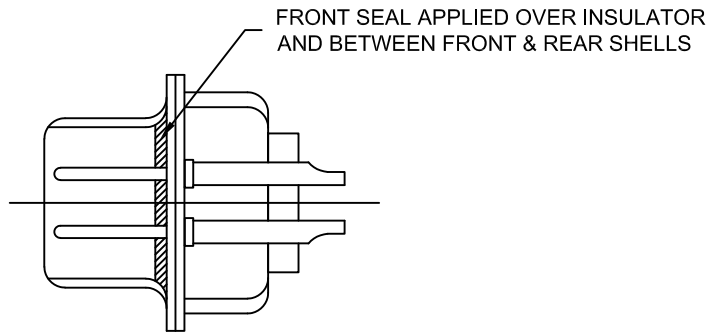
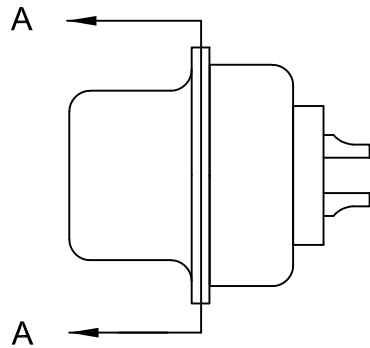
THESE DRAWINGS AND SPECIFICATIONS ARE THE PROPERTY OF NorComp AND SHALL NOT BE REPRODUCED, COPIED OR USED AS THE BASIS FOR THE MANUFACTURE OR SALE OF APPARATUS WITHOUT WRITTEN PERMISSION.

DRAWN: C. SMITH		DATE: 03-26-09	
SCALE: NTS	SHEET 1	OF 2	REV 6
DWG NO. 772-EYY-10YRY1			

RoHS COMPLIANT

**NorComp**

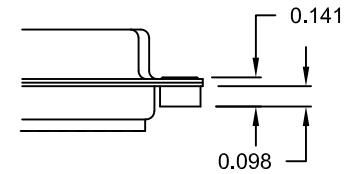
DESCRIPTION: IP67 - MALE - SOLDER CUP - MACHINED - ECONOMY - SEALING PROCESS



DETAIL A-A

HARDWARE OPTION

01X ..... 0.098" (BOARD SIDE) - CN1



DO NOT SCALE FROM DRAWING



THESE DRAWINGS AND SPECIFICATIONS ARE THE PROPERTY OF NorComp AND SHALL NOT BE REPRODUCED, COPIED OR USED AS THE BASIS FOR THE MANUFACTURE OR SALE OF APPARATUS WITHOUT WRITTEN PERMISSION.

DRAWN: C. SMITH		DATE: 03-26-09	
SCALE: NTS	SHEET 2	OF 2	REV 6
DWG NO. 772-EYY-10YRY1			

**NorComp**