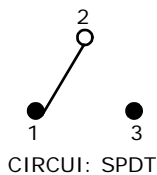


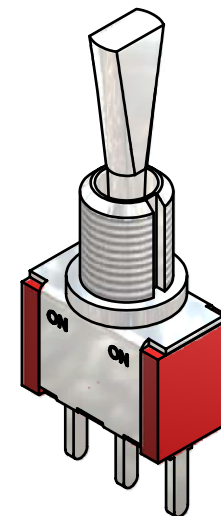
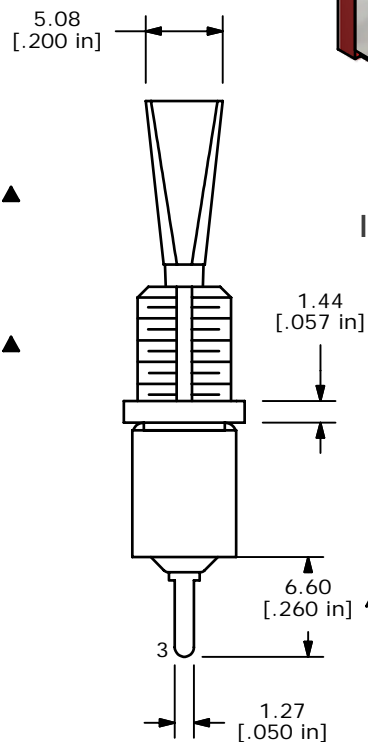
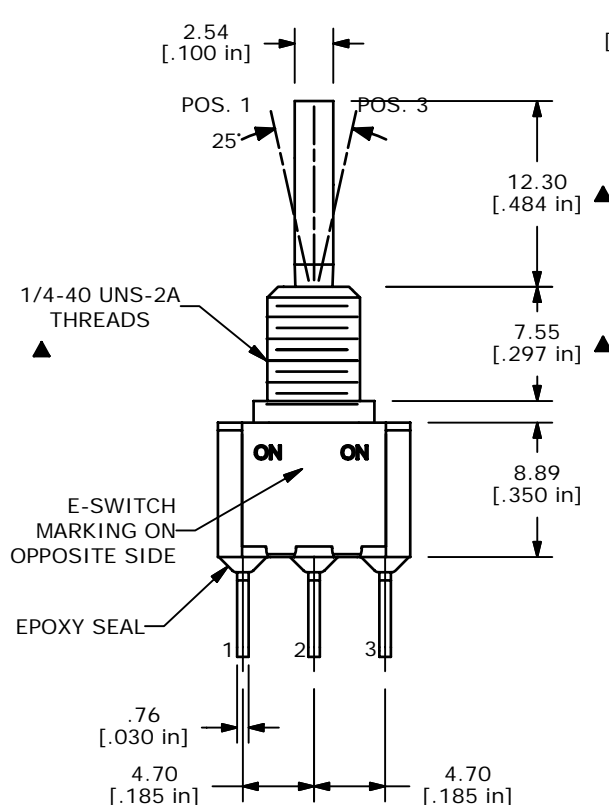
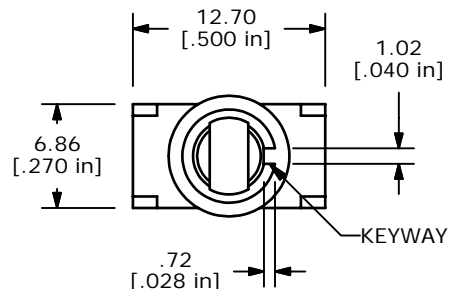
P.C. MOUNTING

SWITCH FUNCTION		
POS. 1	POS. 2	POS. 3
ON	NONE	ON
2-3	OPEN	2-1



NOTE:

1. ALL DIMENSIONS IN MM [INCH]
2. GENERAL TOLERANCE: X.X=±0.4
X.XX=±0.25
3. TERMINAL NUMBERS FOR REF ONLY
- ▲ 4. PLATING MATERIAL: SILVER
5. RATING: 5A @120VAC OR 28VDC
2A @250VAC
6. ELECTRIC LIFE: 40,000 MAKE-AND-BREAK CYCLES
AT FULL LOAD.
7. INSULATION RESISTANCE: 1,000 MEGA-OHM MIN.
8. DIELECTRIC STRENGTH: 1,000 V RMS @SEA LEVEL.
9. OPERATING TEMP.: -30°C to 85°C
10. 2002/95/EC (ROHS) COMPLIANT
11. ▲ DENOTES CRITICAL PARAMETER.



ISOMETRIC

E	17448	TERM. LENGTH TO 6.60 FROM 6.35	7/9/07	TN
D	15542	HEIGHT OF SWITCH BODY	11/17/05	PH
C	15426	CHANGED HEIGHT ON TOGGLE FROM 12.7	10/21/05	PH
B	15385	REVISED AND REDRAWN	10/13/05	PH
A		RELEASED FOR PRODUCTION	6/2/98	MM
REV	PCR NO	DESCRIPTION	DATE	BY

THE INFORMATION CONTAINED IN THIS DOCUMENT IS PROPRIETARY TO E-SWITCH AND IS NOT TO BE COPIED OR TRANSFERRED



TITLE 100SP1T6B11M2QE

SCALE	DATE	DR	DWG	REV
2:1	7/9/2007	TN	T110000	E