

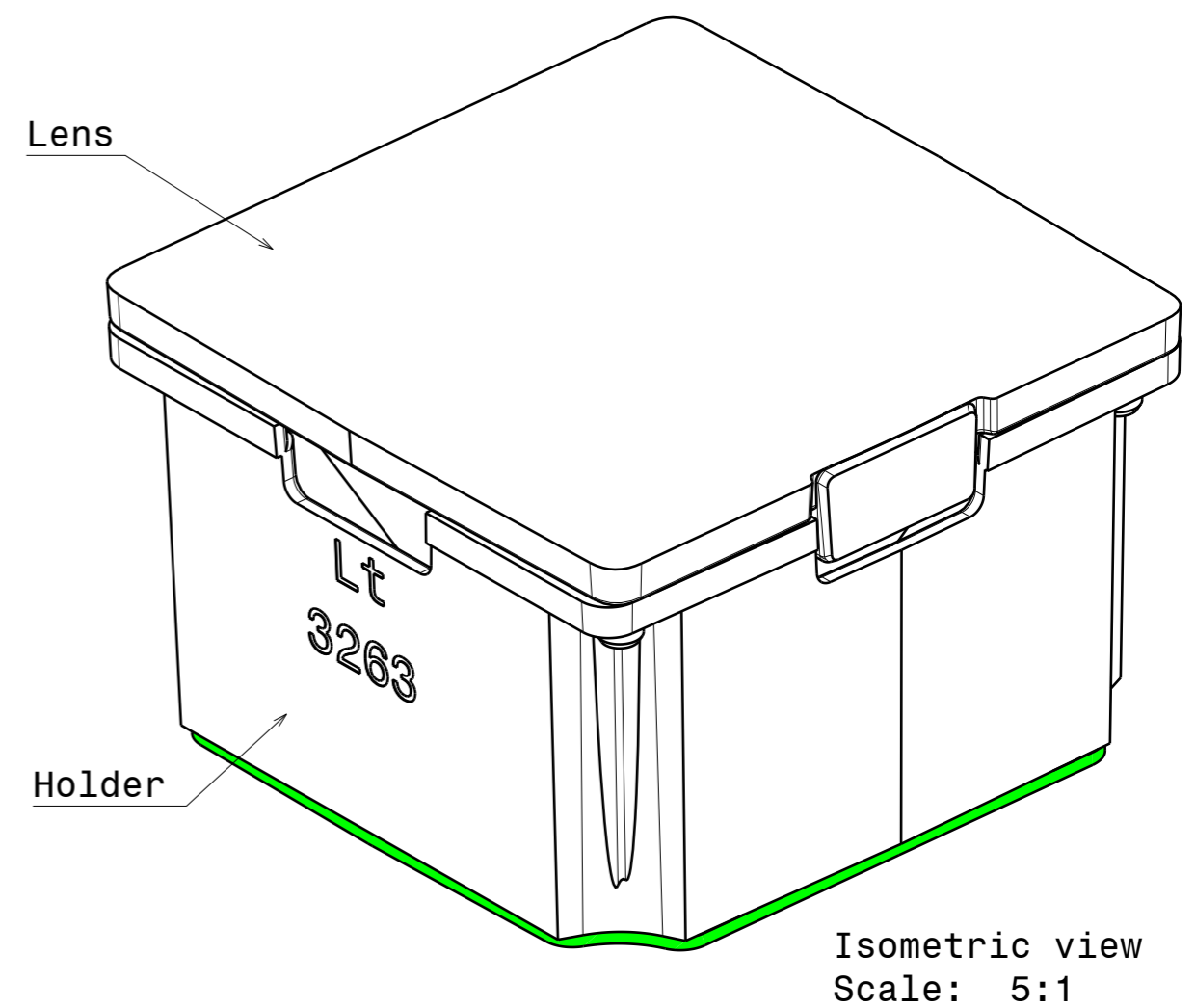
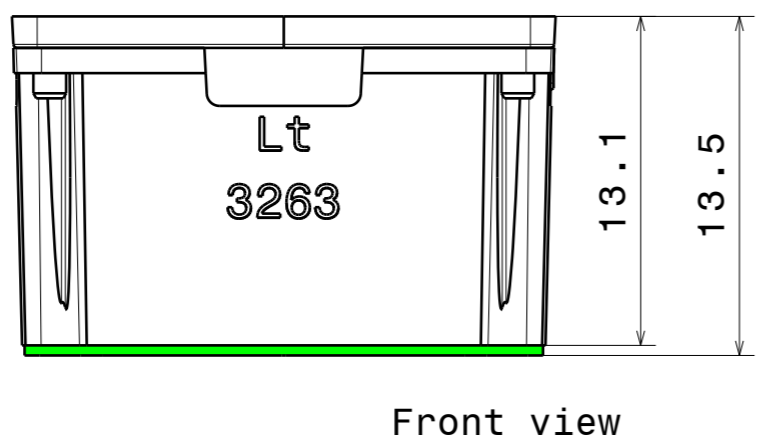
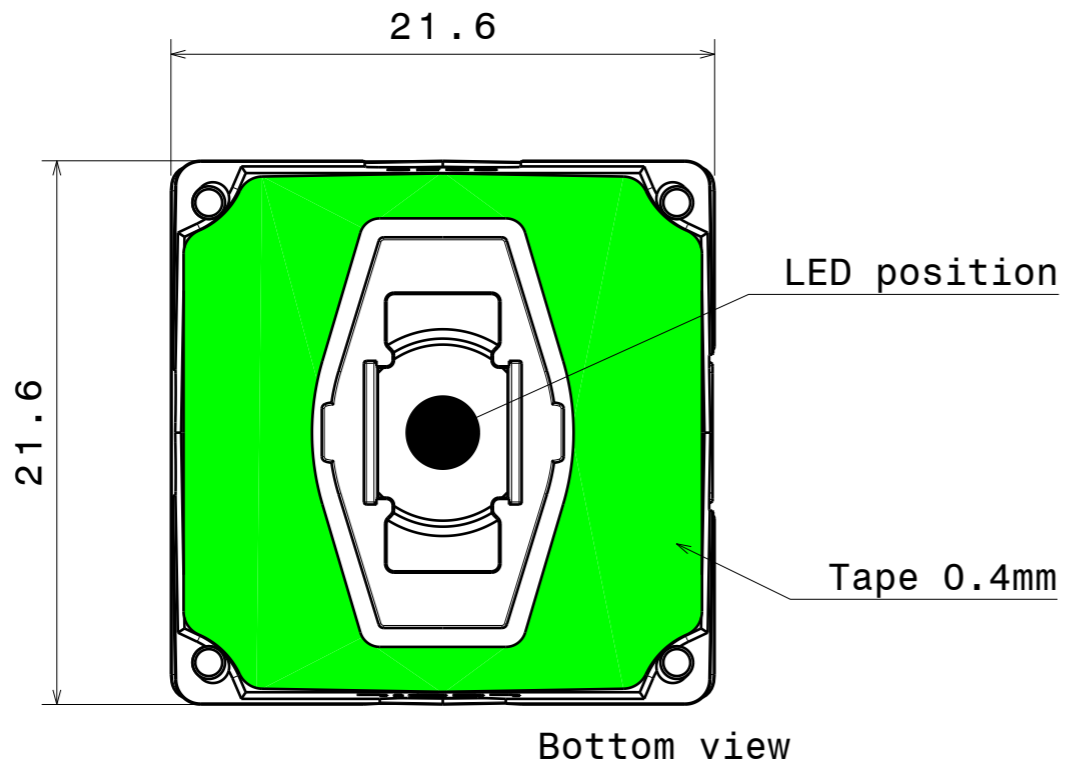
DETAILS

Product Number	CA13619_G2-NIS83-MX-2-D
Family	Rose
Type	Assembly
Color	white
Diameter	21,6*21,6 mm
Height	13,5 mm
Style	square
Optic Material	PMMA
Holder Material	
Fastening	tape
Status	production ready
ROHS Compliant	Yes
Date Updated	9/05/2014

OPTICAL PROPERTIES

LED	Viewing Angle	Light Beam	Efficiency	cd/lm	Connector
MX-6	17 deg	Diffuser	-	-	-
NS6x83	20 deg	Diffuser	-	4.600	-





INDEX	PART NO	MATERIAL	COLOUR
1	Tape	PU 2-sided adhesive foam tape	
2	Holder	PC	white
3	Lens	PMMA	

Tolerances if not otherwise shown
According to DIN ISO 2768-1
Linear measures:
Up to 30mm class M, otherwise class C.
According to DIN ISO 2768-2
Form and position: class L

LEDiL LediL Oy
Salorankatu 10
FIN 24240 SALO
Finland

THIRD ANGLE PROJECTION:

DRAWING TITLE
CA13619_G2-NIS83-MX-2-D

This drawing is the property of LEDiL Oy. It may not be reproduced, copied or communicated without a written agreement with LEDiL Oy.

SIZE PART NUMBER
A3 CA13619

SCALE 10:3 WEIGHT - SHEET 1/1

NOTE: The typical divergence will be changed by different color, chip size and chip position tolerance. The typical total divergence is the full angle measured where the luminous intensity is half of the peak value.