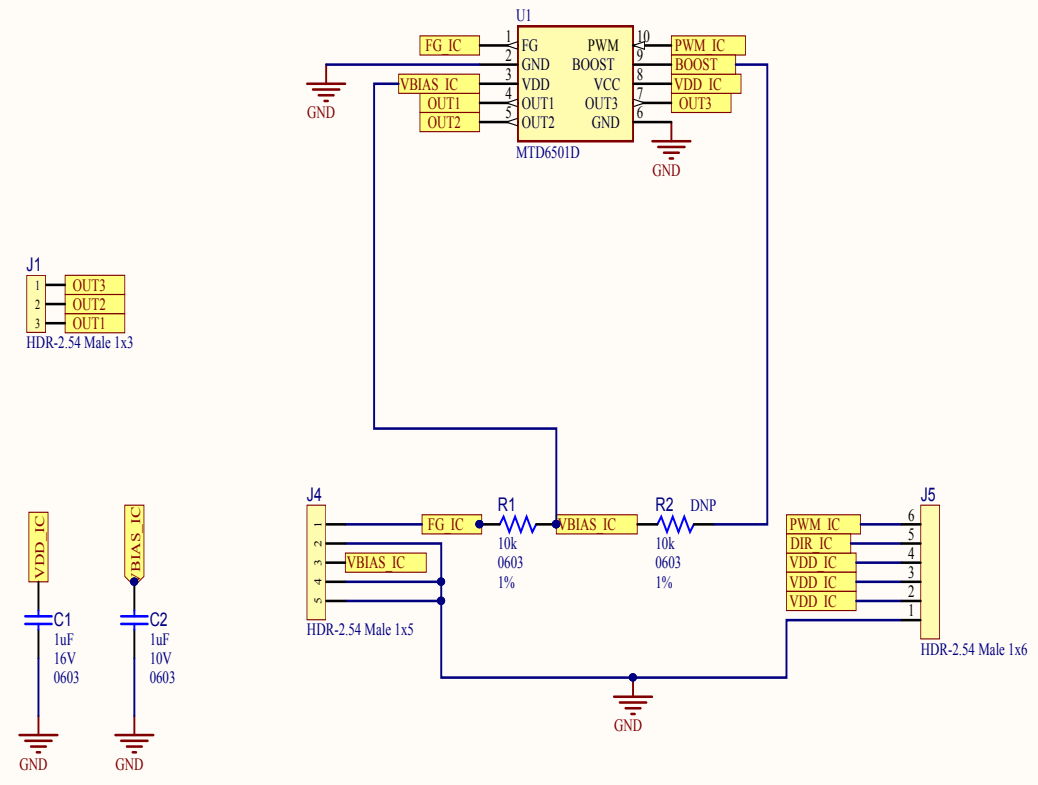




REV	ECO#	DESCRIPTION	DATE



Drawn By: Gilles Di Pietrantonio	
Engineer: Gilles Di Pietrantonio	
PartNumber: ADM00533	Project Title MTD6501D Daughter Board
Sheet Title MTD6501D	
Size B	Sch #: 03-10177 Revision: 1 Date: 8/28/2015 12:54:58 PM Sheet 1 of 1
File: 03-10177.SCHDOC	

Designed with

Altium.com