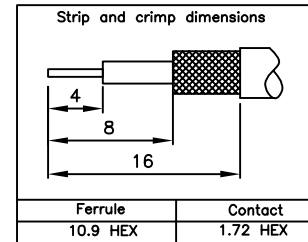
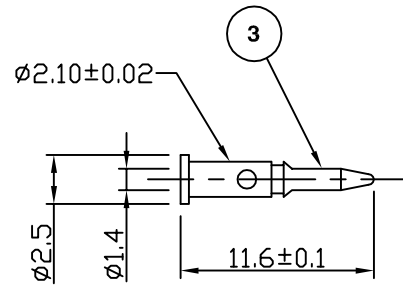
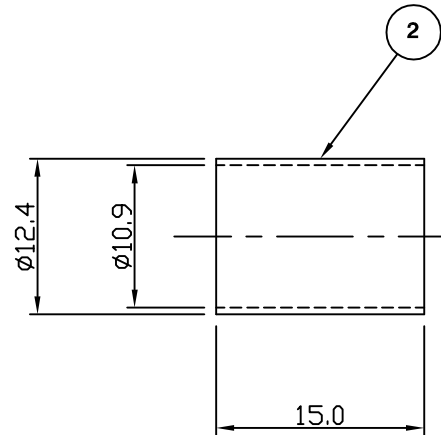
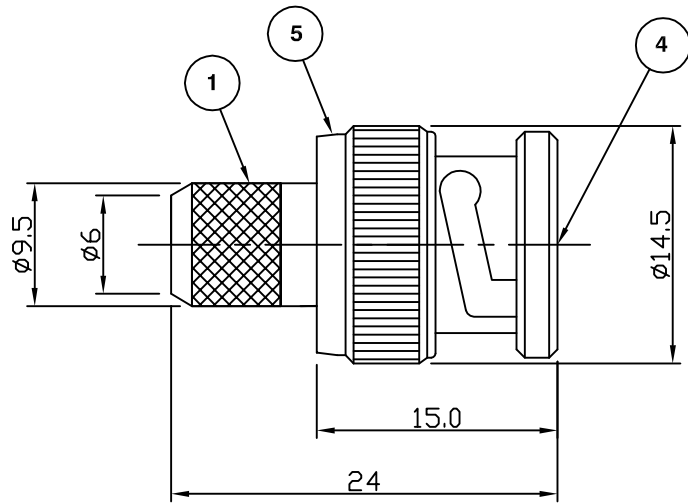


RoHS COMPLIANT



**Electrical Characteristics**

Nominal Impedance: 75 ohms  
 Frequency Range: DC to 1 GHz  
 VSWR: 1.15:1 maximum  
 Insertion Loss: 0.2 dB at 3 GHz  
 Operating Voltage (rms): 500 V maximum at sea level  
 Dielectric Withstand Voltage (rms): 1500 V maximum at sea level  
 Contact Resistance: 1.5 milliohms maximum  
 Insulation Resistance: 5000 megohms minimum

**Mechanical Characteristics**

Mating Cycles: 500 cycles minimum  
 Interface Dimensions: Conform to MIL-C-39012

**Environmental Characteristics**

Temperature Range: -65 °C to +165 °C

	PART	DESCRIPTION
1	Body	Brass, nickel plated
2	Ferrule	Brass, nickel plated
3	Contact	Brass, gold plated
4	Dielectric	Delrin, white
5	Coupling Nut	Zinc Alloy, nickel plated
6	Gasket	PVC

Ferrule changed from 10.8x11.6x 20	MS	3	5 Apr 12
Drawing Update	JT	2	30 Mar 10
First Issue	RP	1	12 Feb 07
DESCRIPTION OF REVISION	APPVD	ISS	DATE

For stripping and assembly instructions see Drawing Number: VAIB1108



Cinch Connectivity Solutions  
 7-13 Russel Way,  
 Widford Industrial Estate,  
 Chelmsford, Essex,  
 CM1 3AA, UK.  
 Tel: +44 (0) 1245 359515  
 Fax: +44 (0) 1245 358938

SCALE: Not To Scale

DIMENSIONS: mm

TOLERANCES:  
 ± 0.2mm unless  
 otherwise stated

DRAWN BY:

R Presland

CHECKED BY:

J Williams

APPROVED BY:

J Williams

DATE:

12 Feb 07

TITLE:

BNC Crimp Plug for  
 CT125RBS Cable

PART NUMBER:

**VB10-2025RBS**

PAGE: 1 of 1