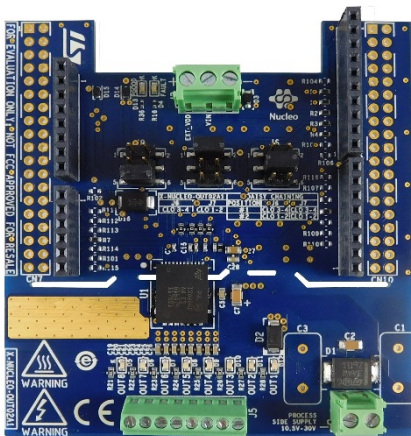


Industrial digital output expansion board based on ISO8200AQ for STM32 Nucleo



Features

- Based on the [ISO8200AQ](#) whose main characteristics are:
 - Embedded 4kV galvanic isolation
 - Radio frequency communication between the logic and process sides for maximum noise immunity
 - Very low power dissipation ($R_{ON(MAX)} = 220\text{ m}\Omega$)
 - Fast decay for inductive loads
 - 20 MHz SPI I/F on logic side
 - V_{CC} power good diagnostics
 - Overload and overheating protections with thermal shutdown and diagnostics
 - QFN-32L (9x11x1 mm) package
- 10.5 to 33 V operating voltage range
- Green LED (x8) for output on/off status
- Red LED for process supply power good fault
- Red LED for overload and overheating
- Supply reverse polarity protection
- EMC compliance according to IEC61000-4-2, IEC61000-4-3, IEC61000-4-5
- Compatible with [STM32 Nucleo](#) boards
- Equipped with [Arduino™ UNO R3](#) connectors
- CE certified
- RoHS and China RoHS compliant
- WEEE compliant

Description

The [X-NUCLEO-OUT02A1](#) industrial digital output expansion board for [STM32 Nucleo](#) is based on the [ISO8200AQ](#) galvanic isolated octal high-side smart power solid state-relay.

It provides an affordable and easy-to-use solution for the development of 8-channel digital output modules, letting you easily evaluate the [ISO8200AQ](#) communication and industrial load driving features.

The [X-NUCLEO-OUT02A1](#) can be connected to a [NUCLEO-F401RE](#) or [NUCLEO-F334R8](#) development board via [Arduino™ UNO R3](#) connectors.

You can also evaluate the 16-channel digital output modules by connecting two [X-NUCLEO-OUT02A1](#) expansion boards and activating the daisy chaining feature.

The [X-NUCLEO-OUT02A1](#) interfaces with the STM32 controller via SPI and GPIO pins and is compatible with the [Arduino™ UNO R3](#) (default configuration) and ST morpho (optional, not mounted) connectors.

Industrial PLC functionality with 8 inputs and 16 outputs can be added with the [X-NUCLEO-PLC01A1](#) expansion board.

| Product summary | |
|---|--|
| Industrial digital output expansion board based on ISO8200AQ for STM32 Nucleo | X-NUCLEO-OUT02A1 |
| Industrial input/output expansion board based on VNI8200XP and CLT01-38SQ7 for STM32 Nucleo | X-NUCLEO-PLC01A1 |
| Galvanic isolated octal high-side smart power solid state-relay | ISO8200AQ |
| STM32 Nucleo-64 development board with STM32F401RE/ STM32F334R8 MCU | NUCLEO-F401RE/ NUCLEO-F334R8 |

1 Schematic diagrams

Figure 1. X-NUCLEO-OUT02A1 circuit schematic (1 of 2)

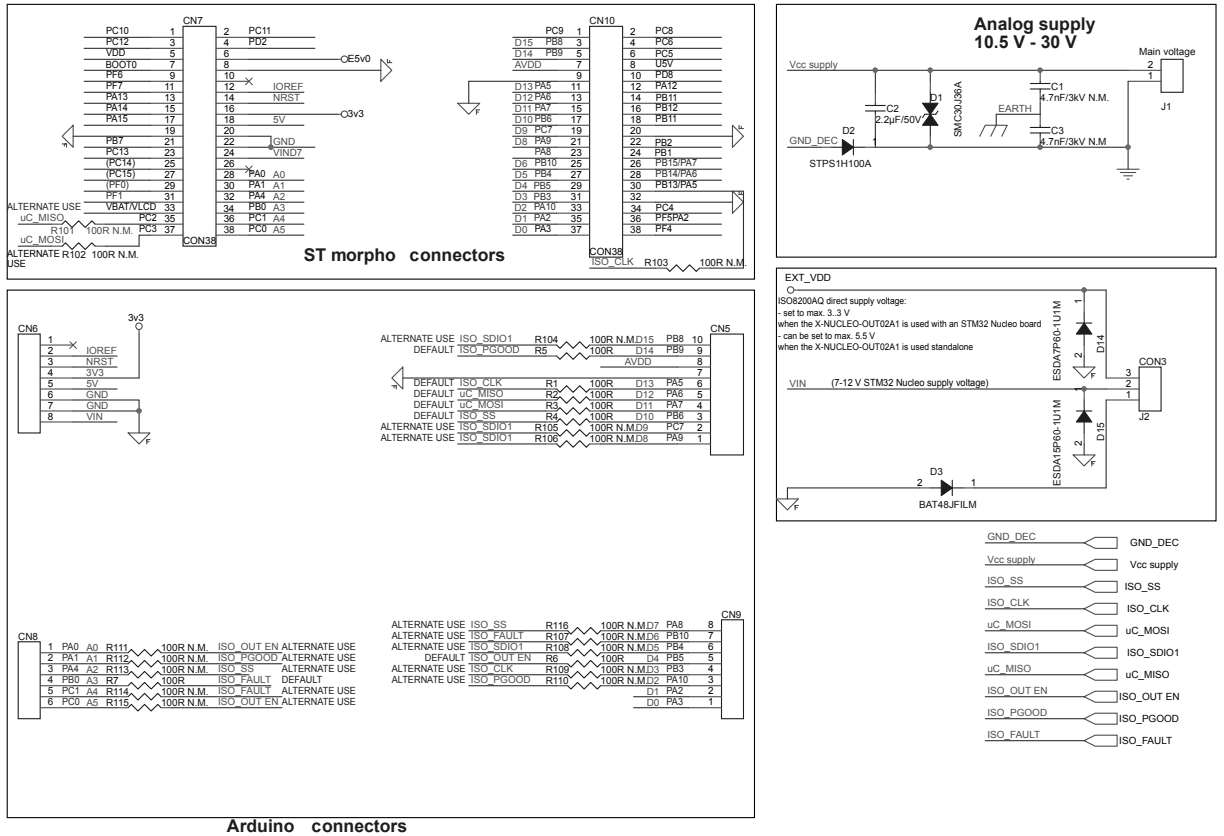
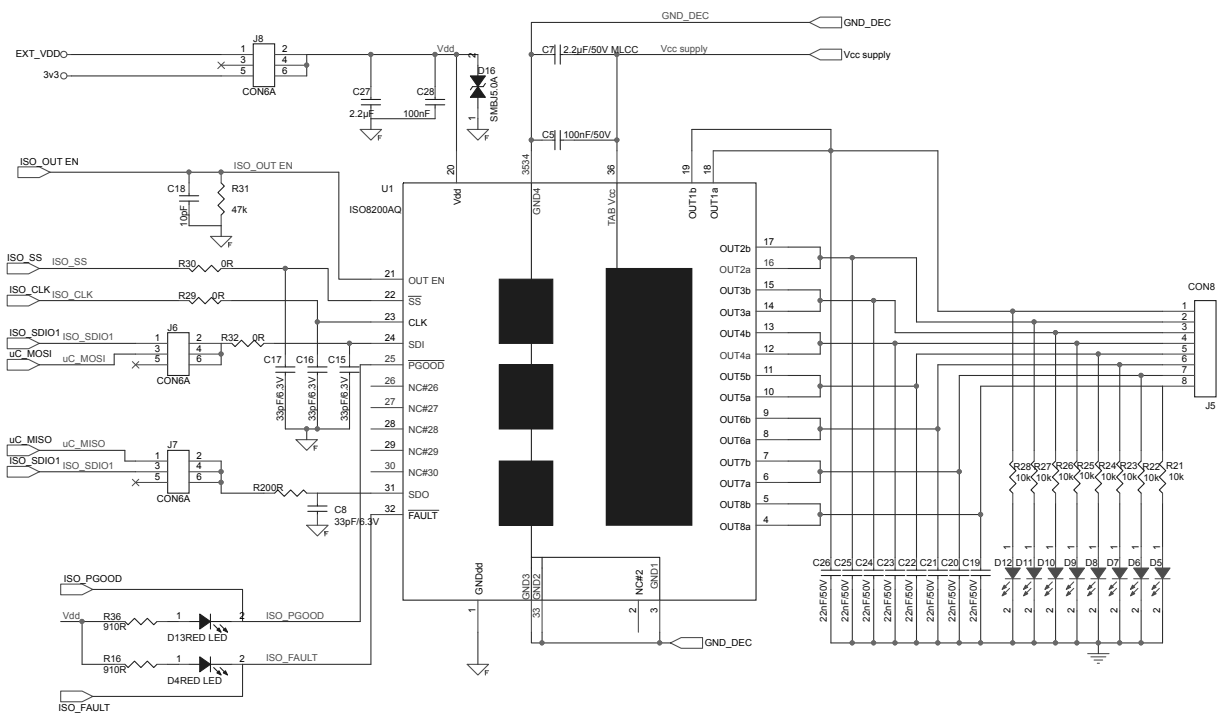


Figure 2. X-NUCLEO-OUT02A1 circuit schematic (2 of 2)



Revision history

Table 1. Document revision history

| Date | Version | Changes |
|-------------|---------|---------------------------------|
| 06-Nov-2018 | 1 | Initial release. |
| 20-Nov-2018 | 2 | Updated cover page description. |

IMPORTANT NOTICE – PLEASE READ CAREFULLY

STMicroelectronics NV and its subsidiaries (“ST”) reserve the right to make changes, corrections, enhancements, modifications, and improvements to ST products and/or to this document at any time without notice. Purchasers should obtain the latest relevant information on ST products before placing orders. ST products are sold pursuant to ST’s terms and conditions of sale in place at the time of order acknowledgement.

Purchasers are solely responsible for the choice, selection, and use of ST products and ST assumes no liability for application assistance or the design of Purchasers’ products.

No license, express or implied, to any intellectual property right is granted by ST herein.

Resale of ST products with provisions different from the information set forth herein shall void any warranty granted by ST for such product.

ST and the ST logo are trademarks of ST. All other product or service names are the property of their respective owners.

Information in this document supersedes and replaces information previously supplied in any prior versions of this document.

© 2018 STMicroelectronics – All rights reserved