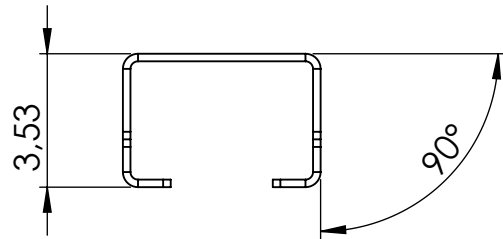
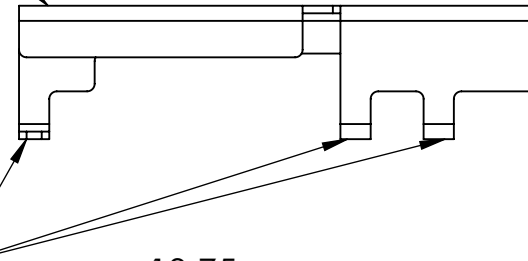


Reel data	
Part Name	OnBoard SMD 2400
Part nr	PRO-OB-440
Date	YYYY-MM-DD
Lot Code	YYWW
QTY	pcs
RoHs	Yes
MSL	1

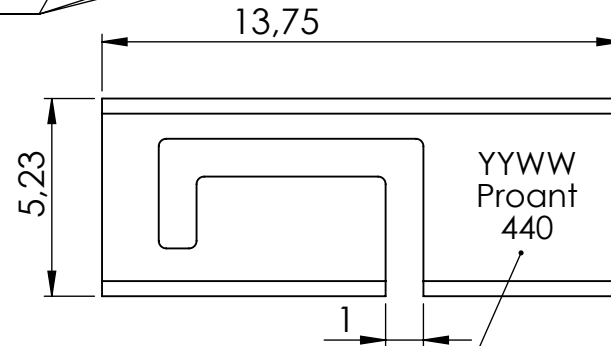


Burr free side

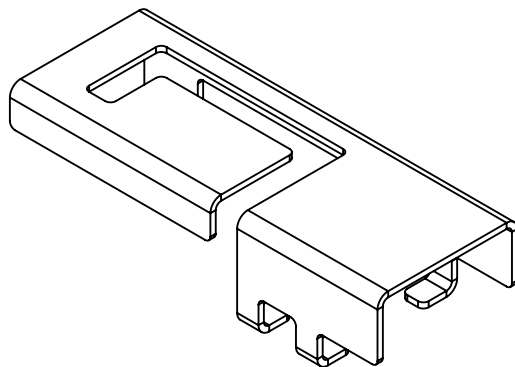
Level difference between pins < 0.08 mm



NOTE: Measure dimensions stated in the drawing and enclose measurement report in the delivery.



Marking, Lot code[YYWW], year week. 2014 week 35 gives lot code [1435].



MATERIAL:
C7521 0.2 mm

FINISH:
N/A

WEIGHT (g):
0,18

This drawing and any information or descriptive material set out on it are the confidential and copy right property of Proant AB and MUST NOT BE DISCLOSED, COPIED, LOANED in the whole part or used for any purpose without the written permission of Proant AB.

FIRST ANGLE PROJECTION

DO NOT SCALE DRAWING



SCALE:5:1

UNLESS OTHERWISE SPECIFIED:
DIMENSIONS ARE IN MILLIMETERS
SURFACE FINISH: 0.8 um
TOLERANCES:
LINEAR: 0.2
ANGULAR: 0.15 deg

COMPANY CONFIDENTIAL

LEGAL OWNER:



PROANT AB
GRÄDDVÄGEN 15A
906 20 UMEÅ
SWEDEN

DESCRIPTION:
OnBoard SMD 2400

DRAWN BY:
S.Westin

DRAWN DATE:
2017-08-15

CHECKED/APPROVED BY:
T.Kärman

CHECKED/APPROVED DATE:
2017-08-15

PROANT TOOL NO:
EXTOOL-008

DWG NO:
440-02-170815

PART NO:
PRO-OB-440

A4
SHEET 1 OF 1