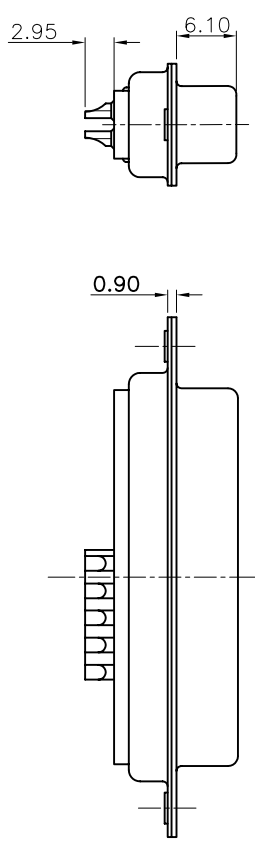
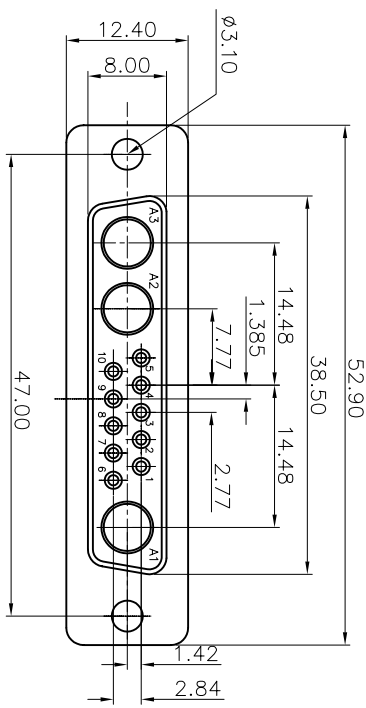


This document is the property of Amphenol Corporation and is delivered on the express condition that it is not to be duplicated, reproduced or used, in whole or in part, for any purpose other than that for which it was originally prepared without the prior consent, in writing, of Amphenol Corporation or to use any information in this document.

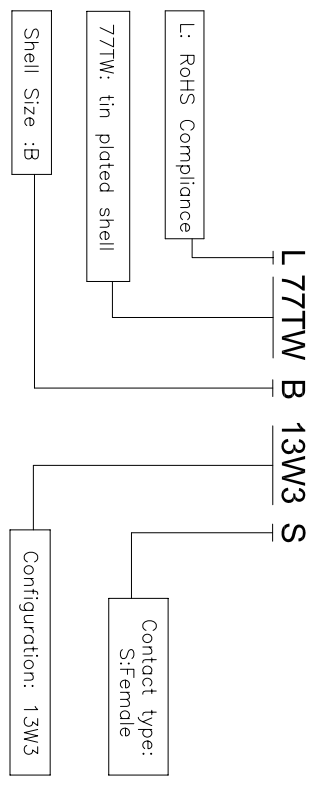


REVISIONS			DATE	APPROVED
S/M	EON	DESCRIPTION	10/04/07	
A				

D-SUB TECHNICAL DATA

SHELL : Steel 2.5um(100u") min tin over 1.25um(50u") min nickel
 BODY : Glass filled thermoplastic.
 Flame retarding to UL94 V-0 Color Black
 CONTACTS : Brass, 0.4um(15u") min gold over 1.25um(50u") min nickel
 ELECTRICAL : Voltage rating 300 V RMS at 50 Hz
 Current rating 7.5A
 Withstanding Voltage >1000 V RMS at 50 Hz for one minute
 Insulation resistance >5000 M Ohms
 Contact resistance 20 mOhms max.
 CLIMATIC : Temperature range -55 °C up to 155°C
 Damp heat 56 days(40 °C-95% HR)
 Salt spray 48 hours
 MARKING : Amphenol...(Series No.)
 Commercial reference
 Manufacturing date

PRODUCT CODE



DIMENSIONS OTHERWISE SPECIFIED		APPROVAL	DATE
TOLERANCES	U.S.	DRAWN	Checked and 10/04/07
	METRIC	CHECKED	10/04/07
X	+/-		
XX	+/-		
XXX	+/-		
FRACTIONS	+/-		
ANGLES	+/-		
	2°		
FOR MATERIALS AND FINISHES		DRAWING FILE :	
REMOVE SHARP EDGES		ANGLE OF PROJECTION	
DIMENSIONS		TYPERS	
TOLERANCE		MM	
TITLE		SIZE	
Hybrid D-SUB connectors, TW series		DRAWING NO.	
		C L77TWB13W3S	
		SCALE	
		NONE	
		SHEET 1 OF 1	
		REV.	
		A	



4 3 2 1