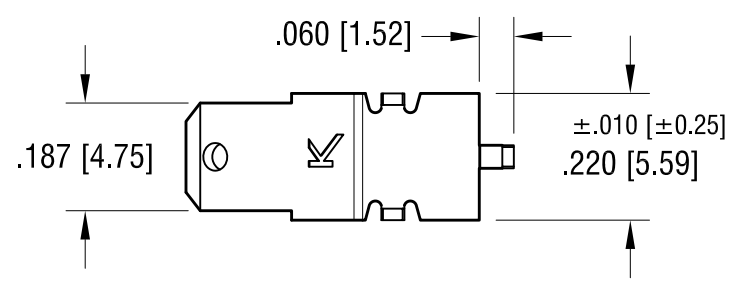
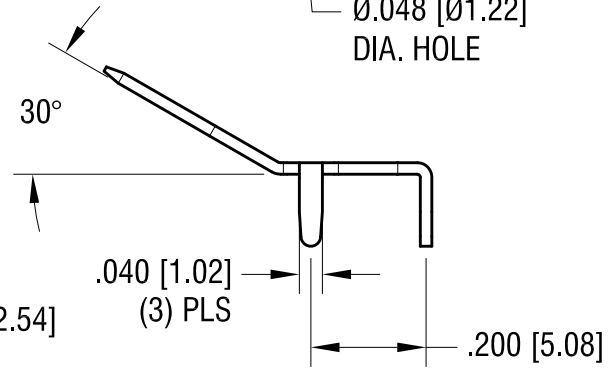
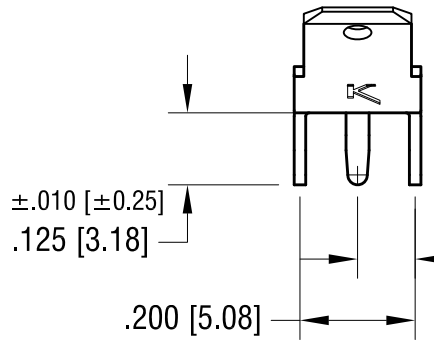
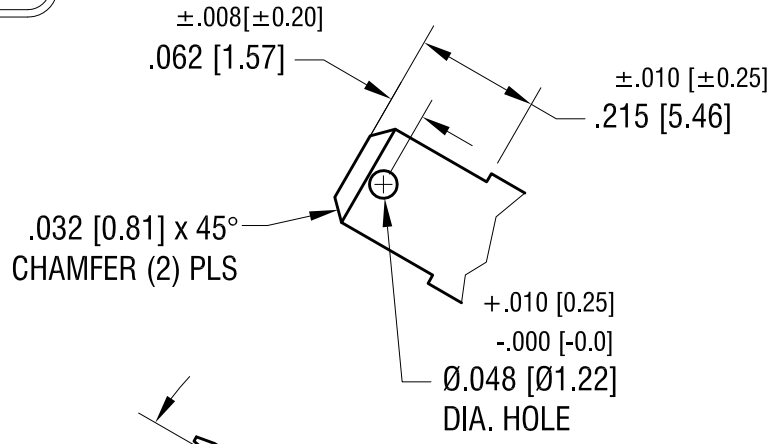
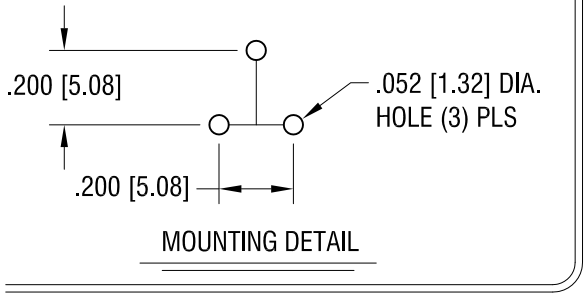


THIS DOCUMENT IS THE PROPERTY OF
KEYSTONE ELECTRONICS CORP. AND
SHALL NOT BE REPRODUCED, DISTRIBUTED
OR USED AS A BASIS FOR MANUFACTURE
WITHOUT PRIOR WRITTEN PERMISSION
FROM KEYSTONE ELECTRONICS CORP.

ACTUAL SIZE



KEY FILE NUMBER: E201546

KEYSTONE ELECTRONICS CORP.			
www.keyelco.com • NEW HYDE PARK NY 11040 • Tel (516)328-7500			
PART NAME .187 [4.76] PC QUICK-FIT TERMINAL			
MATERIAL .020 [0.50] TH'K BRASS			
FINISH MATTE TIN PLATE		DRN BY NT	DATE 5.20.13
		APP'D MR	SCALE 3X
TOLERANCES INCH [MM]	CODE	DWG NO.	
DECIMAL ± .005 [± 0.13]	C	4919	
ANGULAR ± 1°			
UNLESS OTHERWISE SPECIFIED			

DATE	DESCRIPTION	REV.
------	-------------	------