

A

B

C

D

1

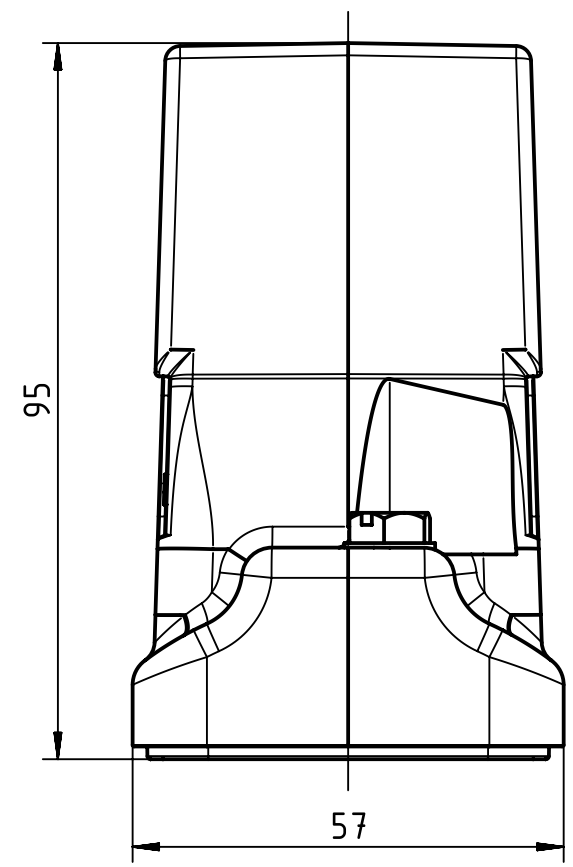
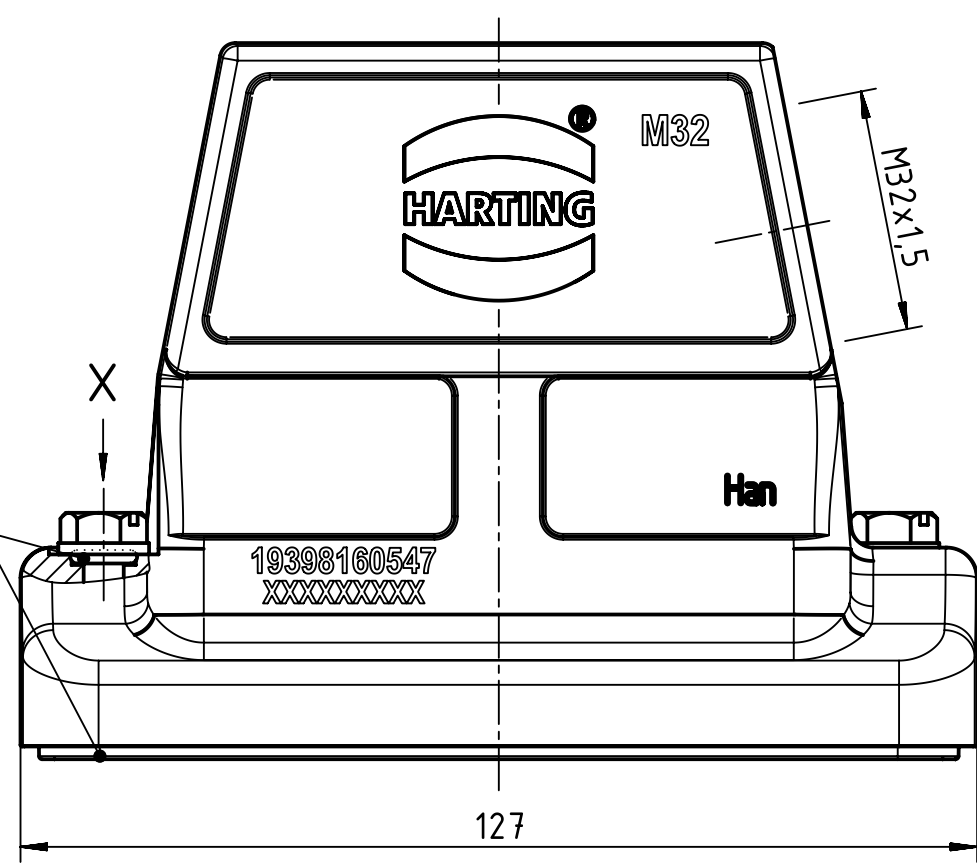
2

3

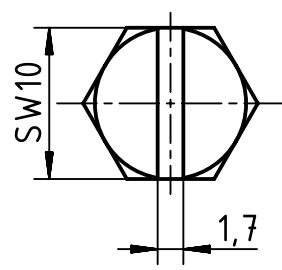
4

5

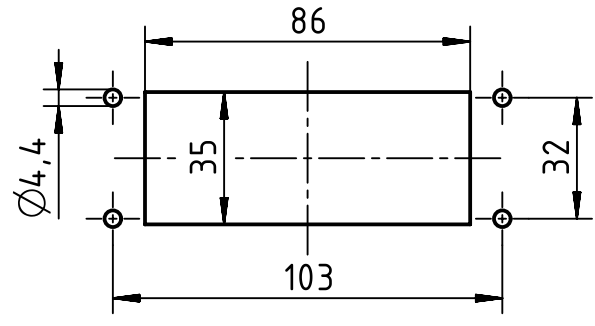
6



X (2:1)



Panel cut out (1:2)



	All Dimensions in mm Original Size DIN A4		Scale 1:1	Free size tol.		Ref.
	All rights reserved Department EL PD - CN		Created by LONGL	Inspected by WENE	Standardisation RUETERA	Sub.
HARTING (Zhuhai) Manufacturing Co., Ltd. 519085 Zhuhai, China		Title Han 16HP Direct/EMV-HSE-M32			Date 2017-10-26	State Final Release
		Type TB	Number 19 39 816 0547		Doc-Key / ECM-Nr. 100665332/UGD/004/E 500000127074	Rev. E
						Page 1/1