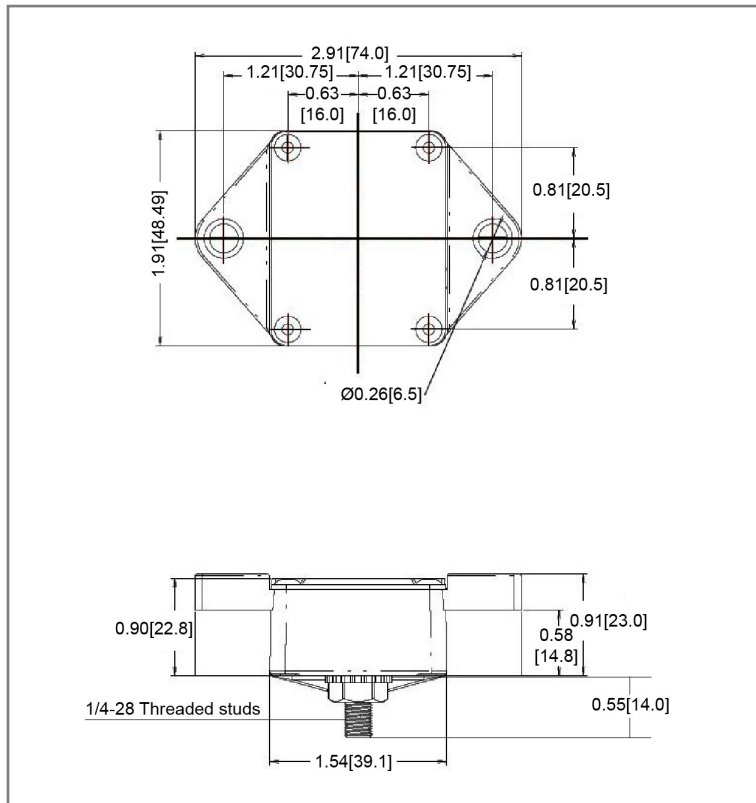


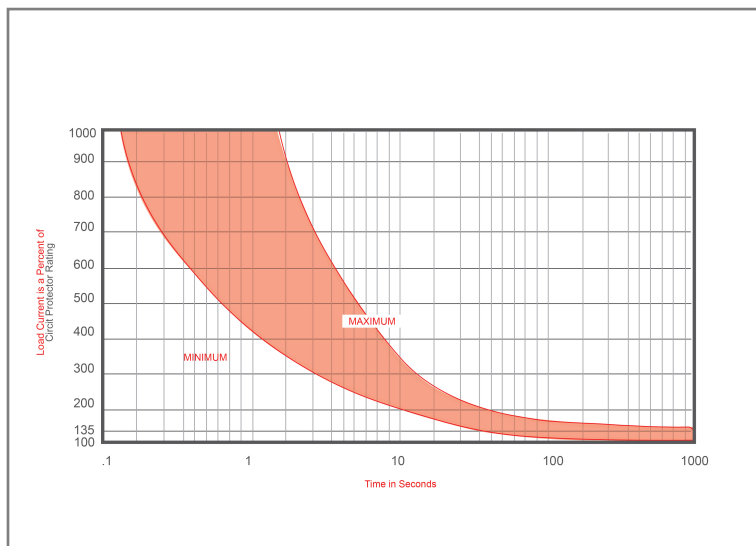
## Mechanical Dimensions: Inches [mm]



## Part Numbers Information

Optifuse P/N	Current
141025	25A
141030	30A
141040	40A
141050	50A
141060	60A
141070	70A
141080	80A
141090	90A
141100	100A
141120	120A
141135	135A
141150	150A

## Time vs. Percent of Rated Current



% of Rated Current	Min Hold Time	Max Hold Time
100%	No Trip ( ≥ 30 Minutes)	
135%	50s	30m
200%	12s	45s
300%	3.5s	15s

Trip time: Ambient temperature 25°C ± 3°C

## Electrical Specifications

Voltage Rating	42VDC
Reset Type	Type I - Auto Reset
Interrupting Rating	3000A @ 30VDC
Operation Temperature	-25° F ~ 180° F
Testing	SAE J1625, IEC 60934

## Material Specifications

High Amp - Waterproof Circuit Breaker	
Body Material	Thermoset Plastic (UL94V-0)
Terminals Configuration	1/4"-28 Stud
Mounting Type	Panel Mount
Ignition Protected	SAE J1171   Waterproof IP67

Rev	Date of issue	Revision Notes	Designed	Approved
A	05-18-2023	Initial Drawing	RC	OF