

DP 1.4 AOC – active optical Displayport Cable for max Length 100m



Features

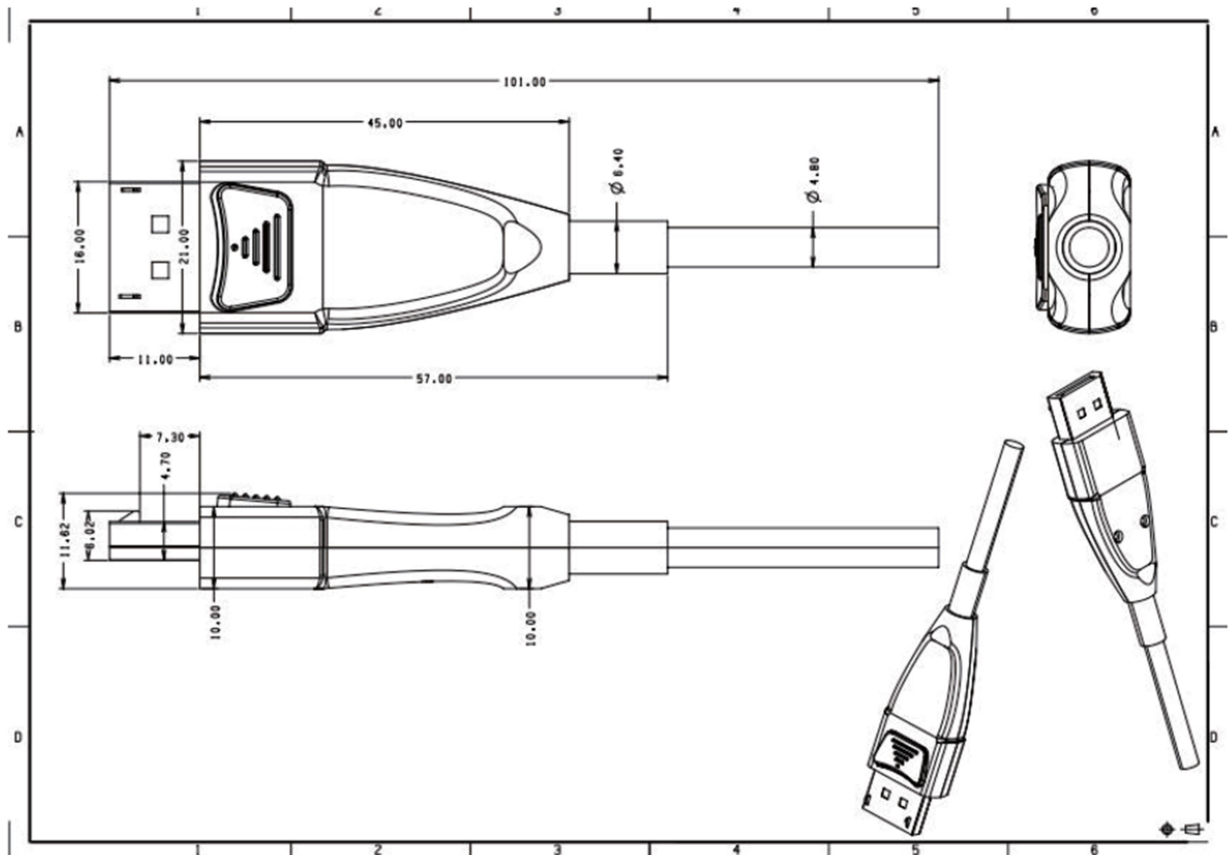
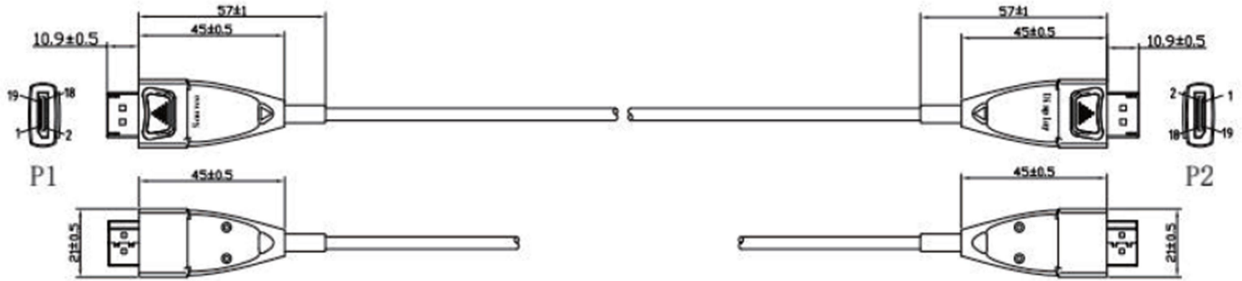
- Compliant with Displayport 1.4 Standard
- Length up to 100m and more
- Supports 8.1 Gbit/sec and channel, total 32Gbit/sec
- Supports 8K@60Hz, HBR3, HDCP 1.4 / 2.2; very good compatibility
- OD 4,8mm, very slim an flexible
- Very good EMI behaviour due to optical technology

- Bonded chip and lens for high reliability and stable quality
- Made in Taiwan in a fully automated production line
- Customization possible
- Steel arming available

Application

- Industrial PC
- Medical Application
- Airplane On-board Video System
- Security Systems
- Conference Room Equipment
- Home Theater

Physical Drawing



DP 1.4 AOC Drawing

Specification

1. Performance

Standards Compliance	DisplayPort 1.4 / HBR3, HDCP 1.4/2.2
Maximum Pixel Clock Frequency	810 MHZ
Maximum Video Bit Rate	Supports up to 8.1 Gbps per lane, 32.4 Gbps Total
Maximum Color Depth	48bits
Maximum Supported Resolutions	8K@ 60Hz

2. Connections

DisplayPort Input / Output	20-pinDisplayPort
Power	No external power supply is required

3. AUX Channel Support

AUX Channel Communications	Supports bidirectional communications for EDID, HDCP, Link Training, etc.
HDCP Support	HDCP 1.4 and HDCP 2.2

4. Optical

Optical Technology	4x Discrete Optical Channels, 10GHz, 850nm
Optical Transmitter	Tx Module:4x 850 nm Multi-mode VCSELs
Optical Receiver	Rx Module:4x GaAs PIN Photo Diodes

5. Cable

Fiber Cable Type	Hybrid cable 4x fiber and 8x copper wire
Cable Jacket	PVC, Black
Maximum Color Length	100 meters

6. Mechanical-Cable

Product Weight	Varies with length
Maximum Tensile Load 300N	300N
Minimum Bend Radius	48mm
Cable Outside Diameter(W+H)	4.8mm

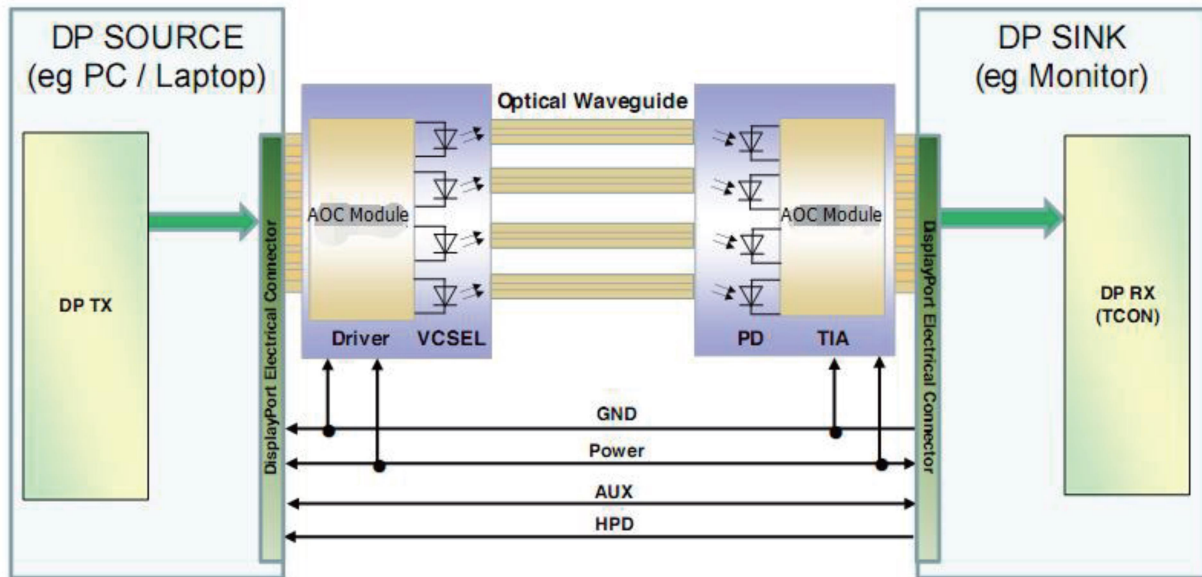
7. Environmental

Operating Temperature	0°C to +50°C
Storage Temperature	-20°C to +85°C
Operating / Storage Humidity	5% to 85% (non-condensing)

8. Power requirements

Power Source	Powered from DisplayPort source device
Power Consumption	<0.5 watt each end

Scematic



How to order

DP1401-xxxxxx <-> xxxxxx = total Length in mm

Partnumber	Description
DP1401-xxxxxx	xxxxxx = Total Length in mm
DP1401-010000	Total Length = 10.000 mm
DP1401-020000	Total Length = 20.000 mm
DP1401-030000	Total Length = 30.000 mm
DP1401-050000	Total Length = 40.000 mm

Please contact us for customization

Available Options

- Custom length
- Custom connector
- Custom label on Cable
- Custom label on Packing
- Fiber cable with steel arming
- Colour

DisplayPort™ and the DisplayPort™ logo are trademarks owned by the Video Electronics Standards Association (VESA®) in the United States and other countries.