



# PRODUCT DATASHEET

## Tina series

last update 8/3/2014

### DETAILS

<b>Product Number</b>	CA11847_TINA2-RS
<b>Family</b>	Tina
<b>Type</b>	Assembly
<b>Color</b>	white
<b>Diameter</b>	16,1 mm
<b>Height</b>	10,1 mm
<b>Style</b>	round
<b>Optic Material</b>	PMMA
<b>Holder Material</b>	
<b>Fastening</b>	tape
<b>Status</b>	production ready
<b>ROHS Compliant</b>	Yes
<b>Date Updated</b>	8/03/2014



### OPTICAL PROPERTIES

LED	Viewing Angle	Light Beam	Efficiency	cd/lm	Connector
Golden Dragon+	10 deg	Real spot	93 %	18.000	-

D

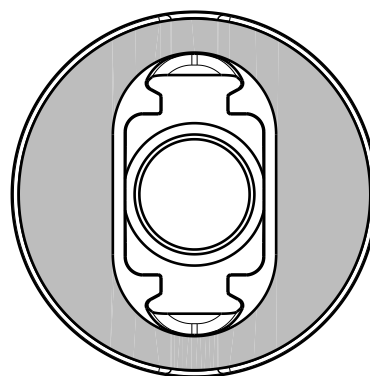
C

B

A

4

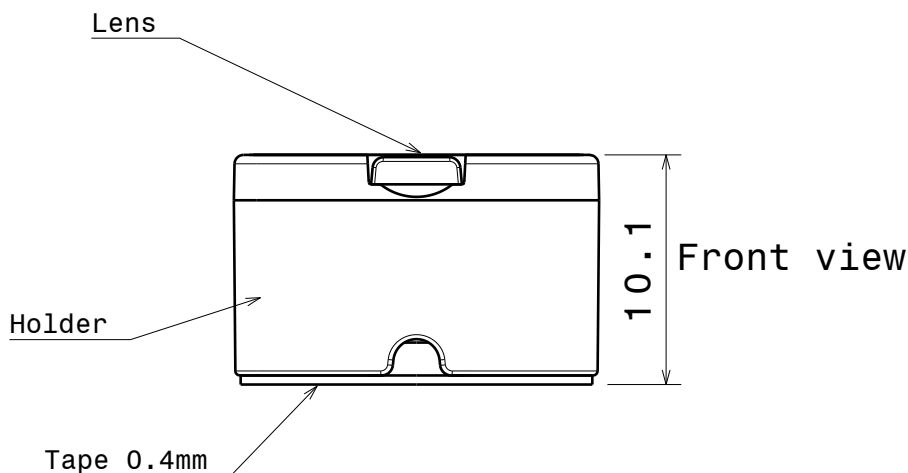
4



Bottom view

3

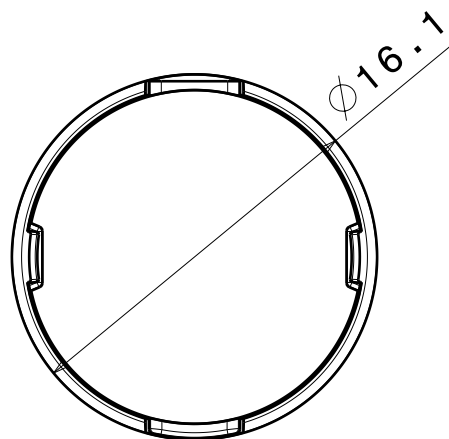
3



Front view

2

2



Top view

MATERIALS  
 Lens: PMMA  
 Holder: PC  
 Tape: PU Foam

This drawing is our property.  
 It can't be reproduced  
 or communicated without  
 our written agreement.



L  
T  
F  
F

e  
e  
i  
i  
N  
n

d  
h

DRAWING TITLE

Datasheet Tina2-0-Plus Assy

DRAWN BY  
m

DATE  
29.04.2011

CHECKED BY  
t k

DATE  
29.04.2011

SIZE  
A4

DRAWING NUMBER

REV  
2

DESIGNED BY  
HH

DATE  
01.01.2011

SCALE

3:1

WEIGHT (g)

-

SHEET

1/1

D

A

1

1

**NOTE: The typical divergence will be changed by different color, chip size and chip position tolerance. The typical total divergence is the full angle measured where the luminous intensity is half of the peak value.**