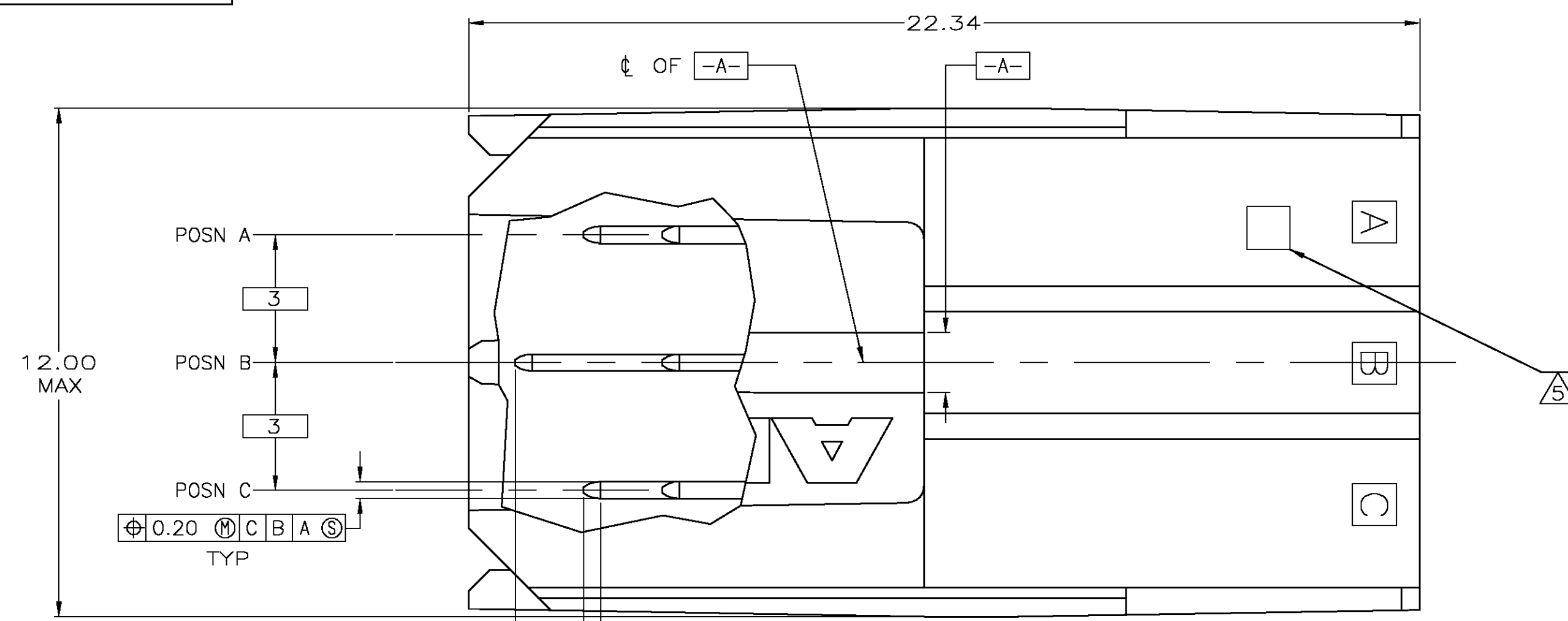
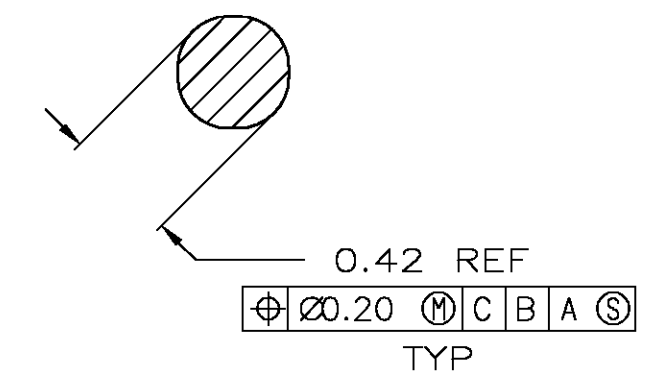
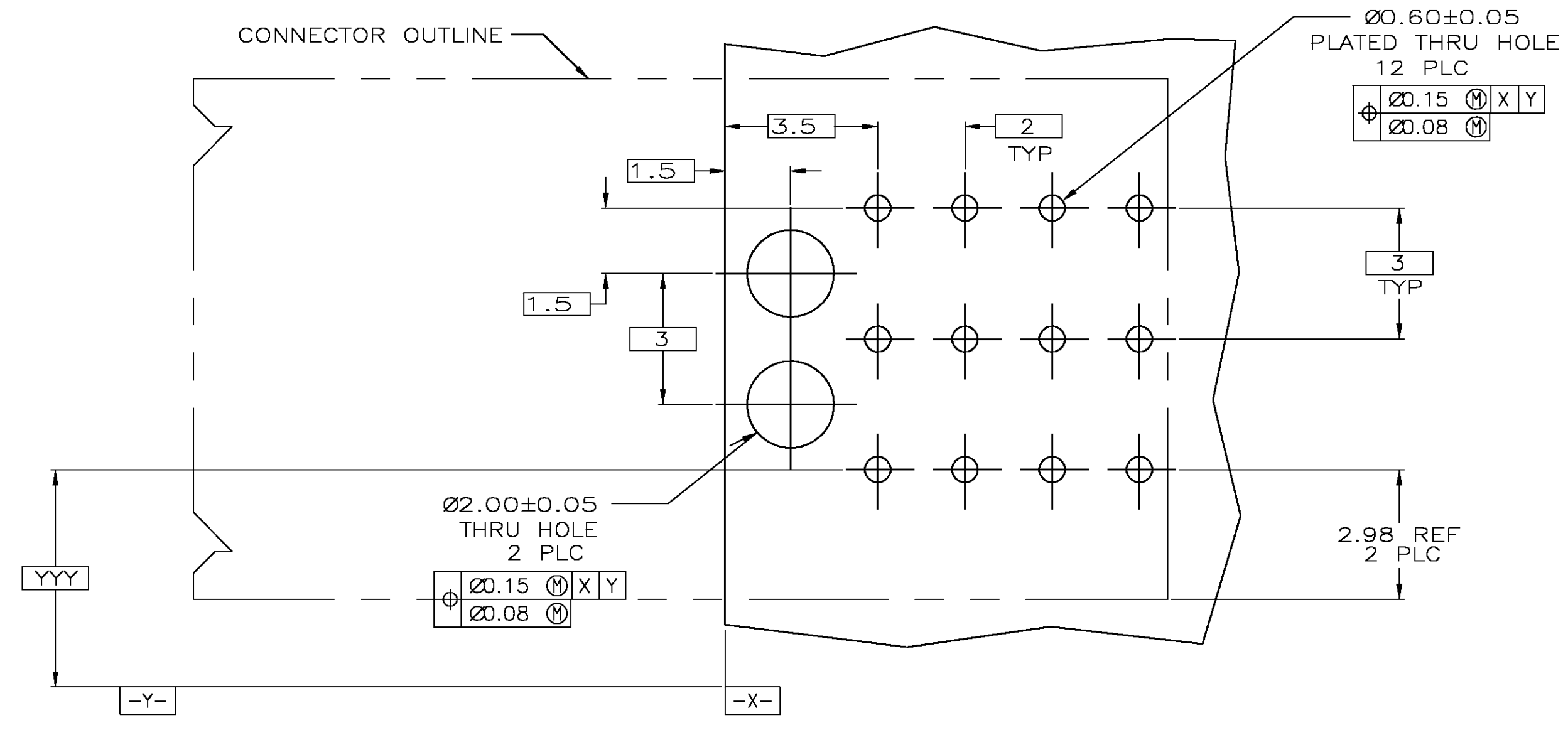
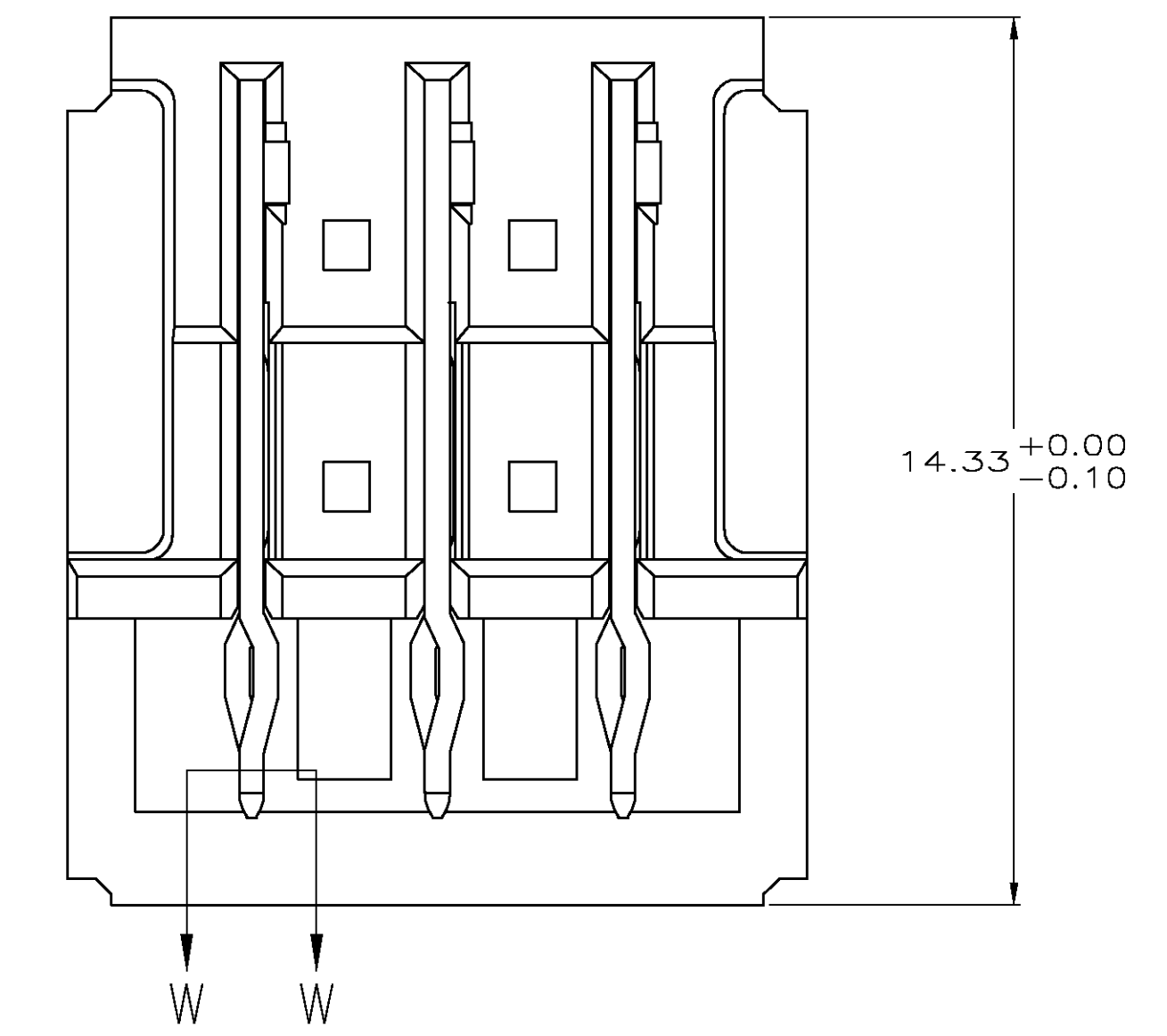
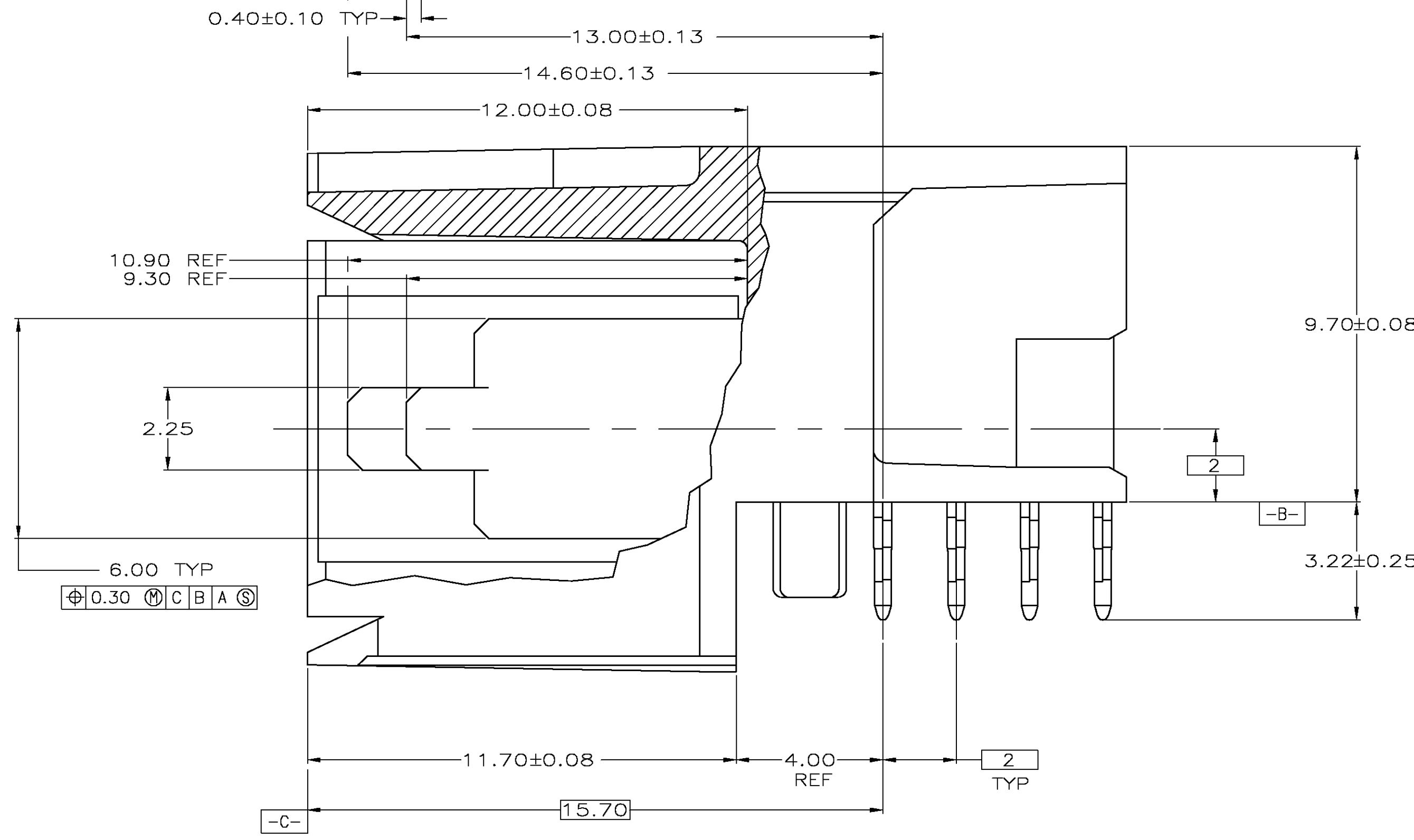
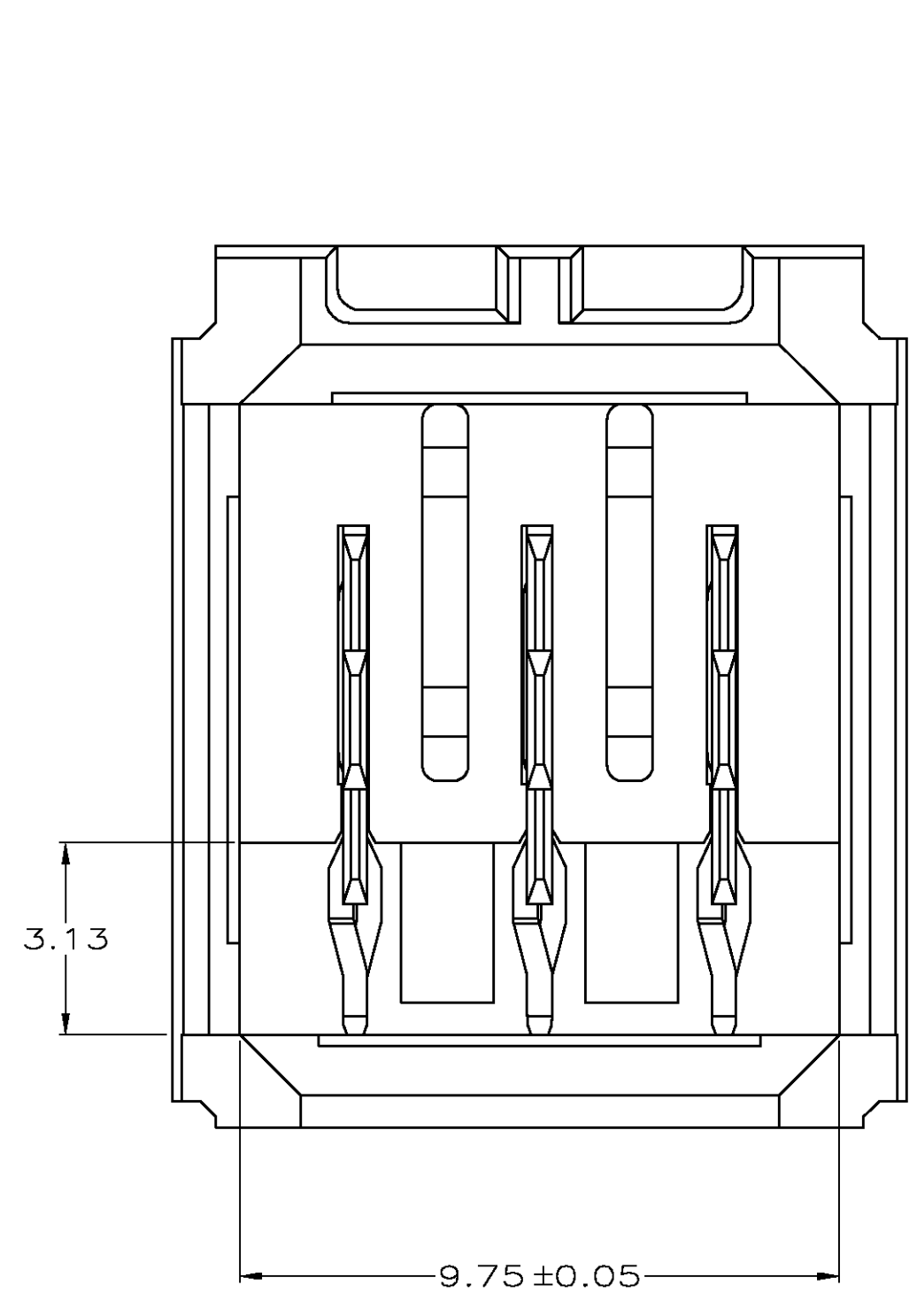


LOC		DST		REVISIONS			
P	LTR	DESCRIPTION	DATE	DMN	APD		
AD	47	K	REVISED PER OS12-0485-02	01APR03	JM	RAP	



- 1 MATERIAL: HOUSING: POLYESTER. COLOR: GRAY. CONTACT: PHOSPHOR BRONZE.
- 2 FINISH: CONTACT MATING AREA: 1.27 μ m MIN GOLD PLATE, ACTION PIN AREA: 0.5 μ m MIN TIN LEAD PLATE, ALL OVER 1.27 μ m MIN NICKEL UNDERPLATE.
- 3 FINISH: CONTACT LUBRICATION WITH BELLCORE APPROVED LUBRICANT. TECHNICAL REFERENCE: TR-NWT-001217 ISSUE 1, SEPT 1992.
- 4 MATERIAL: HOUSING: LCP; COLOR, BLUE. CONTACT: PHOSPHOR BRONZE.
- 5 NUMBER "2" MARKED IN THIS AREA.
- 6 RESTRICTED PART NUMBER, CONTACT ENGINEERING.



FINISH	PART NUMBER
1 2 3 5	223963-8
1 2 3 4 5	223963-7
2 3 4	223963-3
1 2 3	223963-1

OBSOLETE

THIS DRAWING IS A CONTROLLED DOCUMENT.		DMN: R. BUCHHEISTER 07/MAR/95	Tyco Electronics Corporation	
DIMENSIONS: MM		CHK: N. NORRIS 08/MAR/95	Harrisburg, PA 17105-3508	
TOLERANCES UNLESS OTHERWISE SPECIFIED:		APD: D. SINISI 08/MAR/95	ASSEMBLY, RIGHT ANGLE HEADER, W/ RETENTION PEGS, UNIVERSAL POWER MODULE	
0 PLC	±	PRODUCT SPEC	SIZE	DWG NO
1 PLC	± 0.13	APPLICATION SPEC	A1	00779
2 PLC	±		CAGE CODE	223963
3 PLC	±		SCALE	10:1
4 PLC	±		SHEET	1 OF 1
ANGLES	±		REV	K
MATERIAL	FINISH	WEIGHT	CUSTOMER DRAWING	