

MATERIAL NUMBER			CKT SIZE	DESCRIPTION	POL	COLOR
TRAY PACKAGING PK-31300-892	TUBE PACKAGING PK-31301-063	CELL TRAY PACKAGING 346909100				
346900200	346909200		20	STAC64 VERTICAL HEADER ASSEMBLY	A	BLACK
346900201	346909201		20	STAC64 VERTICAL HEADER ASSEMBLY	B	GREY
346900202	346909202		20	STAC64 VERTICAL HEADER ASSEMBLY	C	BROWN
346900203	346909203		20	STAC64 VERTICAL HEADER ASSEMBLY	D	GREEN
346900160	346909160	346908160	16	STAC64 VERTICAL HEADER ASSEMBLY	A	BLACK
346900161	346909161		16	STAC64 VERTICAL HEADER ASSEMBLY	B	GREY
346900162	346909162		16	STAC64 VERTICAL HEADER ASSEMBLY	C	BROWN
346900120	346909120		12	STAC64 VERTICAL HEADER ASSEMBLY	A	BLACK
346900121	346909121		12	STAC64 VERTICAL HEADER ASSEMBLY	B	GREY
346900122	346909122		12	STAC64 VERTICAL HEADER ASSEMBLY	C	BROWN
346900080	346909080		8	STAC64 VERTICAL HEADER ASSEMBLY	A	BLACK
346900081	346909081		8	STAC64 VERTICAL HEADER ASSEMBLY	B	GREY
346900082	346909082		8	STAC64 VERTICAL HEADER ASSEMBLY	C	BROWN
346903084	N/A		8	STAC64 DELETE CAP	A	BLACK

NOTES: VALID UNLESS OTHERWISE SPECIFIED

1. GENERAL:

a. CONNECTOR HEADER MUST BE VALIDATED TO THE FOLLOWING FUNCTIONAL REQUIREMENTS:
 POLARIZATION FEATURE EFFECTIVENESS = SEE PRODUCT SPECIFICATION
 PIN RETENTION = USCAR-2 REV 4
 SOLDERABILITY = SMES-152

b. APPLICATION REQUIREMENTS (REFERENCE ONLY) FOR:
 SEE APPLICATION SPECIFICATION = AS-34729-020/AS-31408-100
 SEE PRODUCT SPECIFICATION = PS-34729-020/PS-31408-100

c. PACKAGING SPECIFICATION: SEE CHART

2. DESIGN: MATERIALS:

a. SHROUD (PLASTIC HOUSING):
 RESIN - SPS 30%GF - 20% REGRIND MAX. BY WEIGHT

b. 0.64MM PINS:
 BASE MATERIAL: C26000
 PLATING TYPE: AS NOTED

3. PLATING REQUIREMENTS:

a. UNDERPLATING - OVERALL NICKEL
 b. OVERPLATING - OVERALL TIN

4. INTERFACE: USCAR
 064-U-008-2-Z02
 064-U-012-2-Z03
 064-U-016-2-Z03
 064-U-020-2-Z02
 SOME CHAMFERS HAVE BEEN MODIFIED TO IMPROVE POLARIZATION EFFECTIVENESS. SEE AS-34729-002/AS-31408-100.

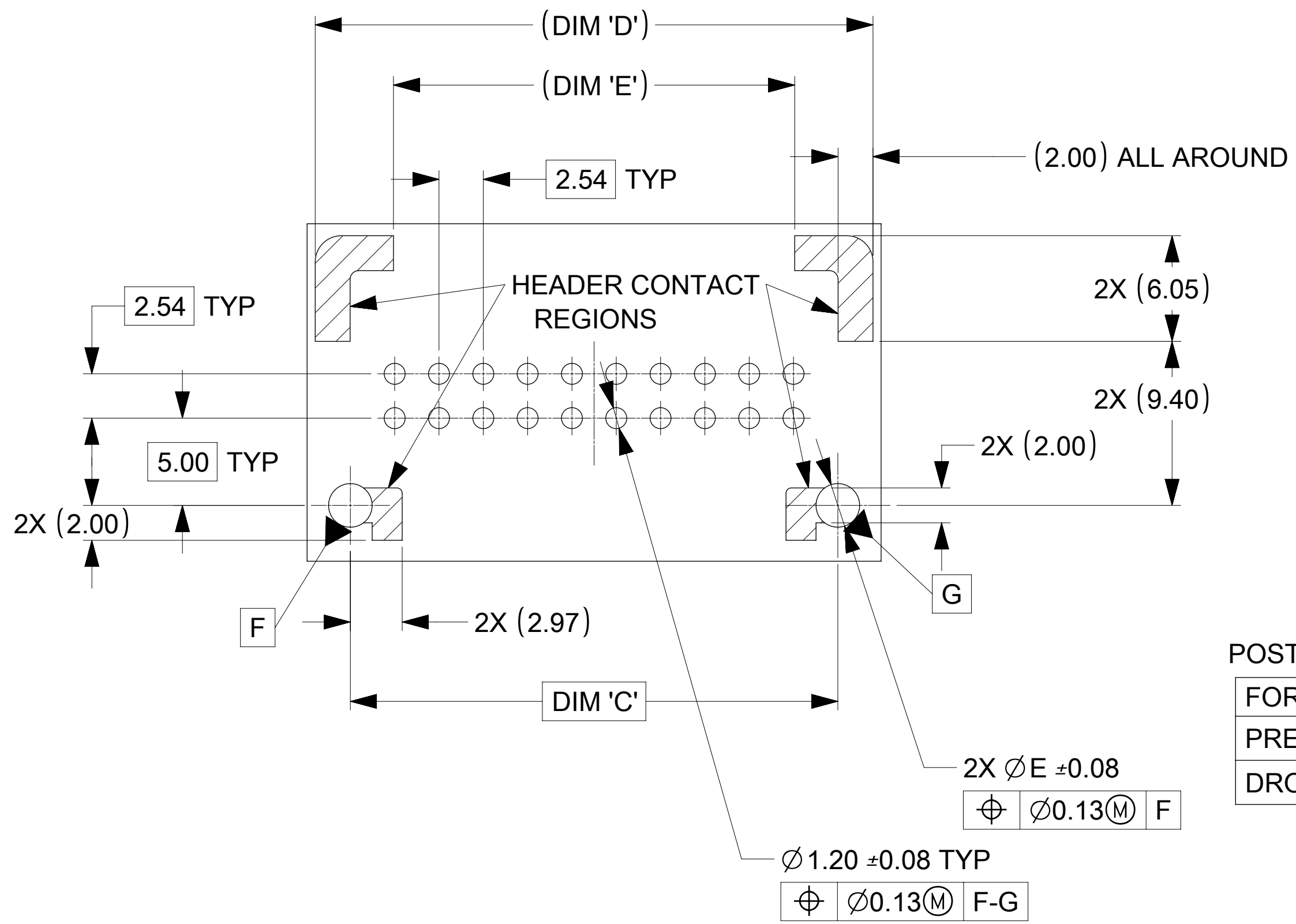
A4	CORRECTED DRAWING TYPE FROM RESTRICTED CUSTOMER TO GENERAL MARKET	637858	2020.05	YPENG47
REV.	REV DESCRIPTION	EC#	DATE	NAME

INSPECTION BALLOON NUMBER LOG
PER DRAWING REVISION: A4
LAST BALLOON NUMBER: 10
ADDED BALLOON NUMBER: NONE
DELETED BALLOON NUMBER: NONE

FUNCTIONAL SYMBOLS FA = 0 FC = 0 FD = 0	THIS DRAWING CONTAINS INFORMATION THAT IS PROPRIETARY TO MOLEX ELECTRONIC TECHNOLOGIES, LLC AND SHOULD NOT BE USED WITHOUT WRITTEN PERMISSION	SCALE 2:1	CURRENT REV DESC: SEE REVISION SHEET	
	DIMENSION UNITS mm	GENERAL TOLERANCES (UNLESS SPECIFIED)	EC NO: 637858	
DIVISIONAL SYMBOLS	ANGULAR TOL ± 3.0°	4 PLACES ±	DRWN: YPENG47	2020/05/19
	3 PLACES ±	3 PLACES ±	CHK'D: CDZHANG	2020/10/22
	2 PLACES ± 0.13	2 PLACES ±	APPR: CDZHANG	2020/10/22
	1 PLACE ± 0.25	1 PLACE ±	INITIAL REVISION:	
	0 PLACES ±	0 PLACES ±	DRWN: AKUMARMS	2015/12/01
			APPR: RBAUMAN	2016/08/23
	DRAFT WHERE APPLICABLE MUST REMAIN WITHIN DIMENSIONS	THIRD ANGLE PROJECTION	DRAWING	SERIES
			D-SIZE	34690
			MATERIAL NUMBER	CUSTOMER
			346900000	SEE CHART
			DOC TYPE	DOC PART
			PSD	000
			REVISION	A4
			SHEET NUMBER	1 OF 2

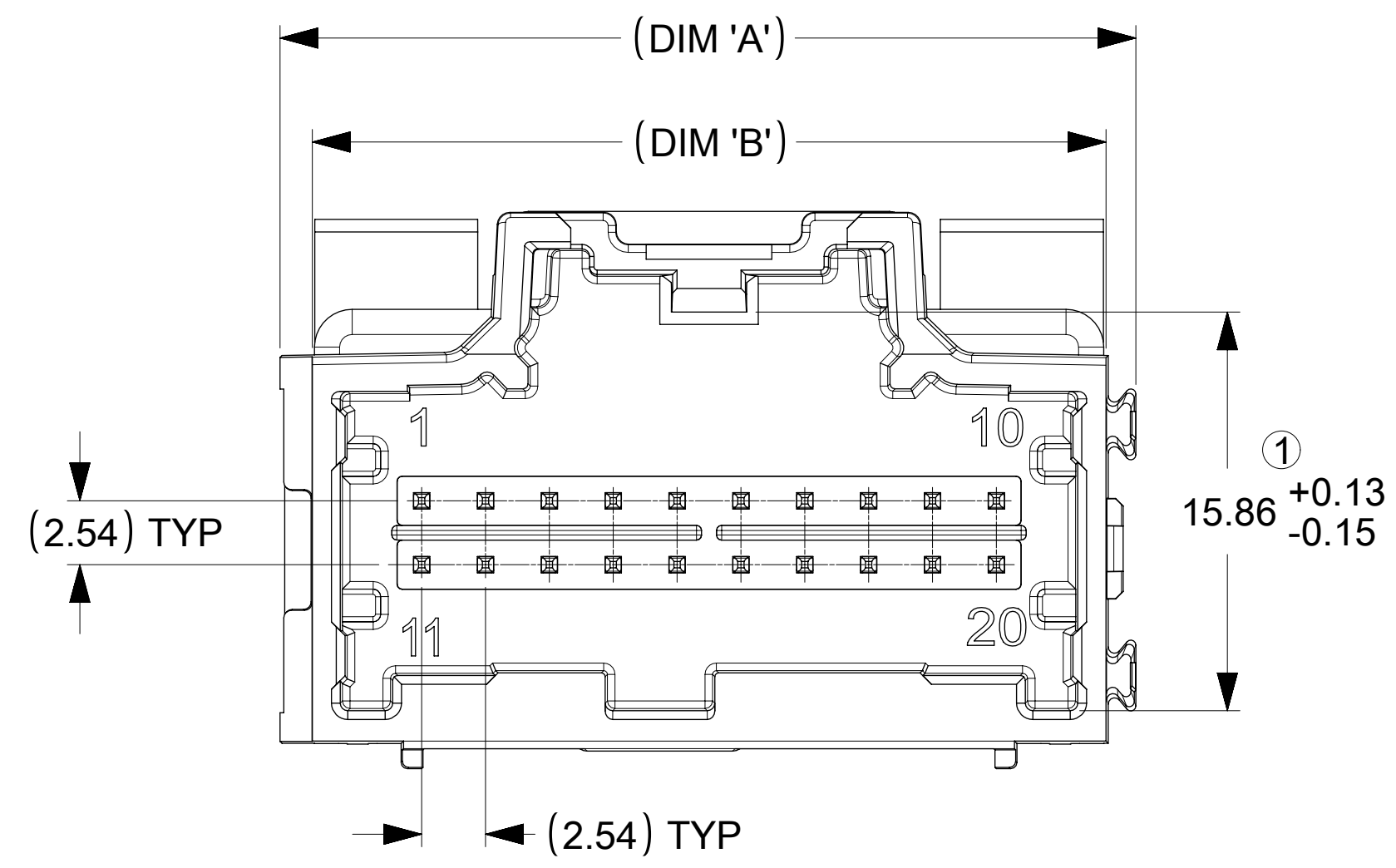
CKT SIZE	DIM 'A'	DIM 'B'	DIM 'C'	DIM 'D'	DIM 'E'
20	34.04	31.57	27.94	31.97	23.00
16	28.96	26.49	22.86	26.89	17.92
12	23.88	21.41	17.78	21.81	12.84
8	18.80	16.53	12.70	16.73	7.76

RECOMMENDED PCB LAYOUT

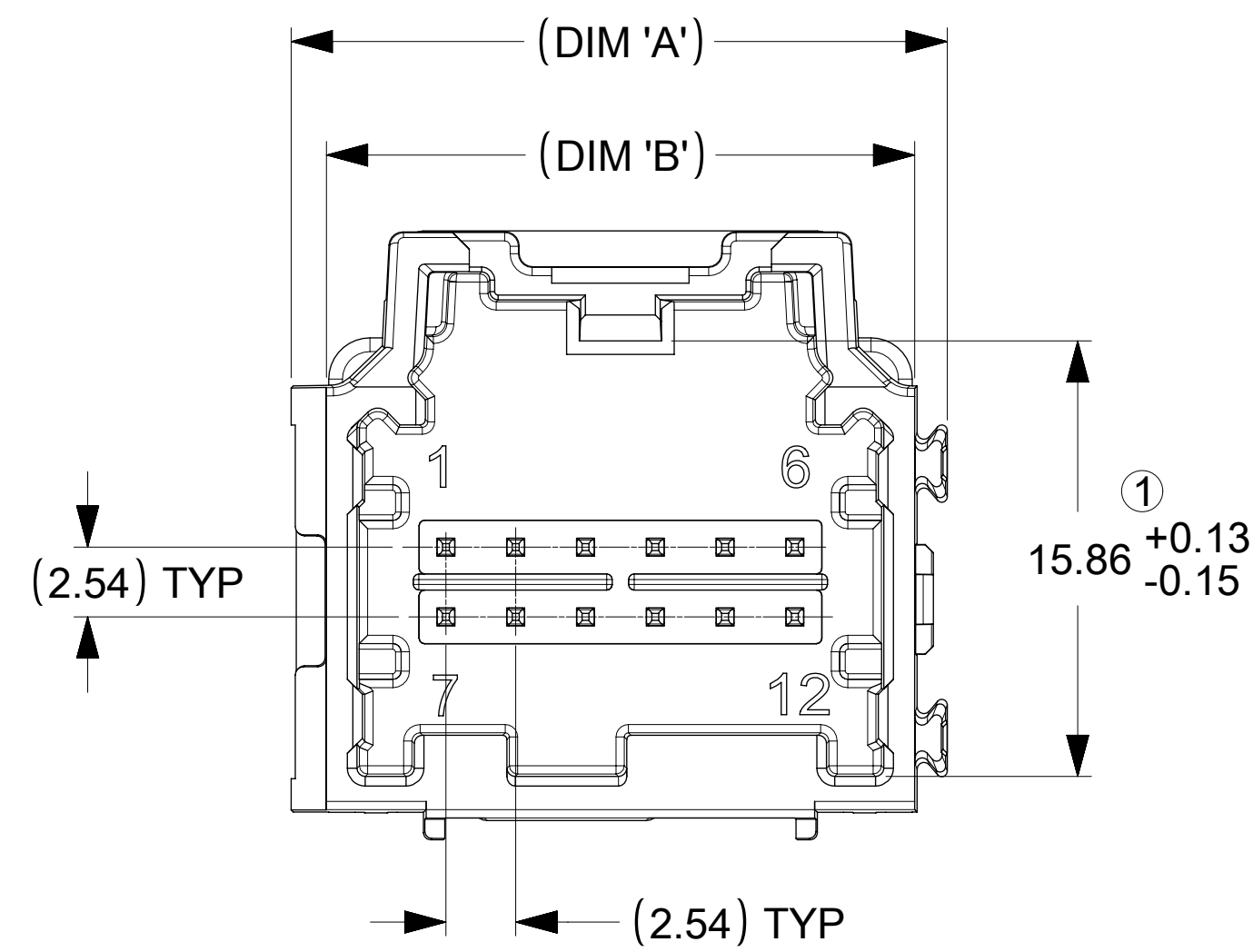


POST HOLE TABLE

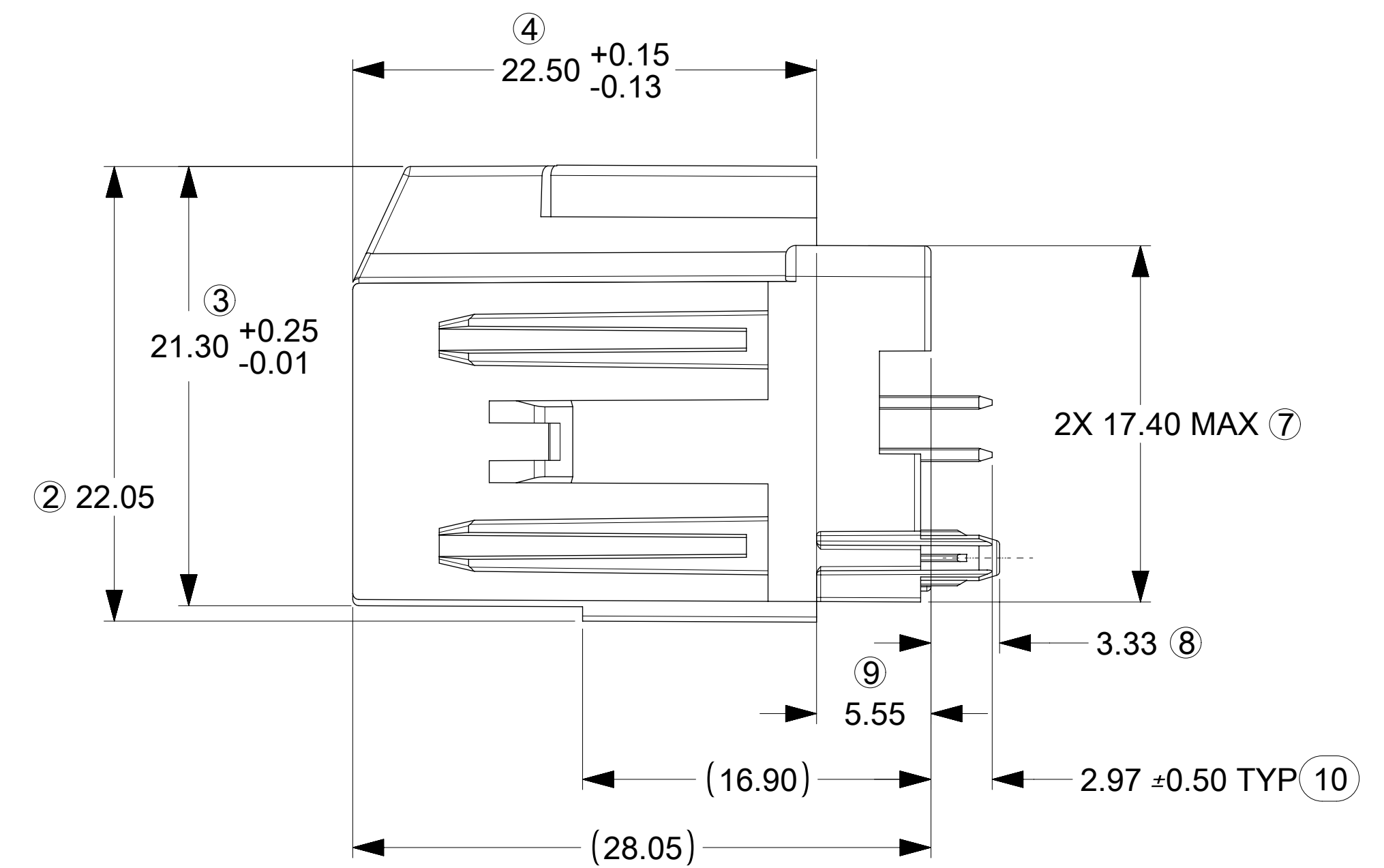
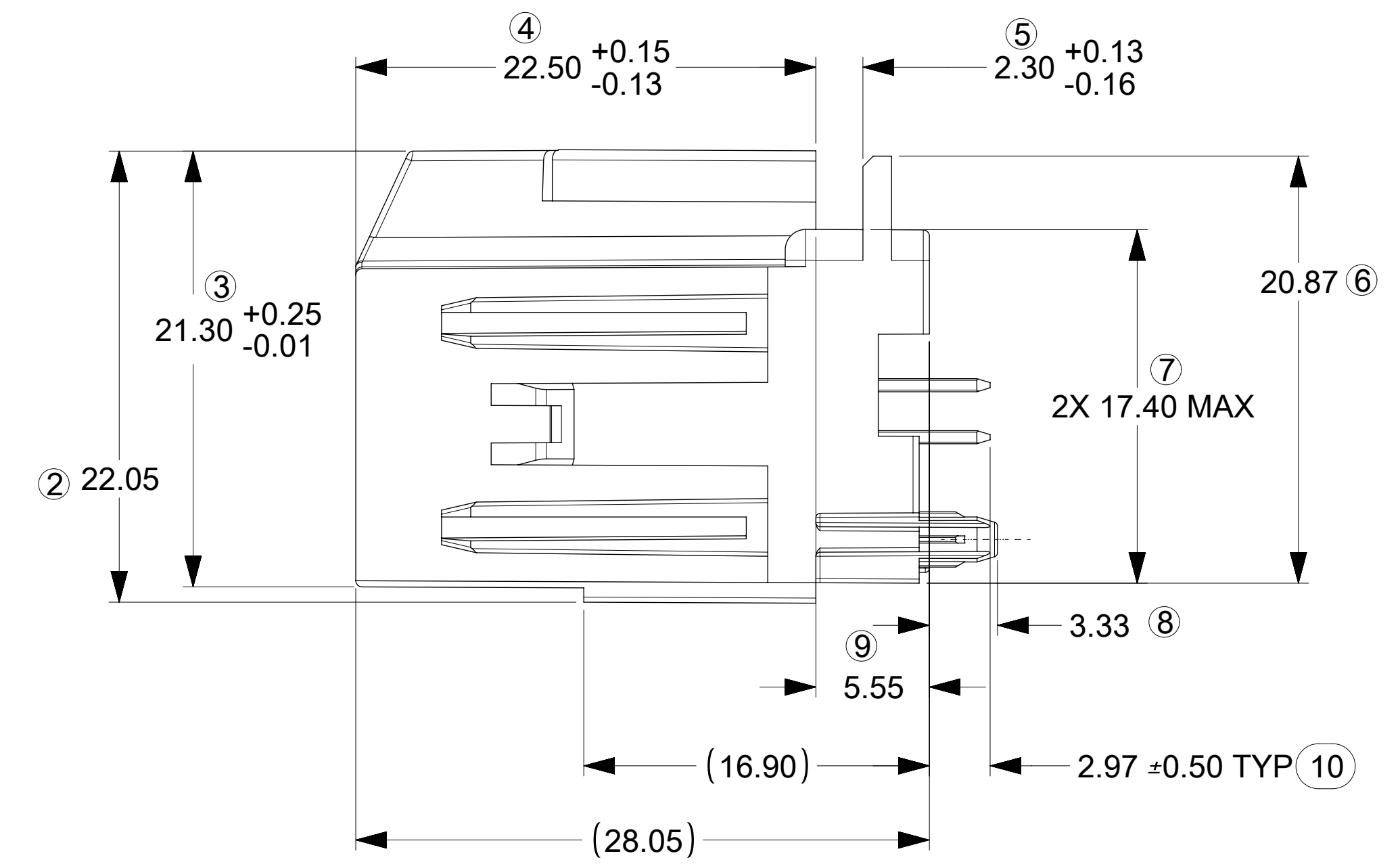
FOR DIM E:	
PRESS FIT	Ø2.60
DROP IN	Ø3.05



LAYOUT FOR 16 & 20 CKT. HEADERS
(20 CKT. OPTION 'A' SHOWN)



LAYOUT FOR 8 & 12 CKT. HEADERS
(12 CKT. OPTION 'A' SHOWN)

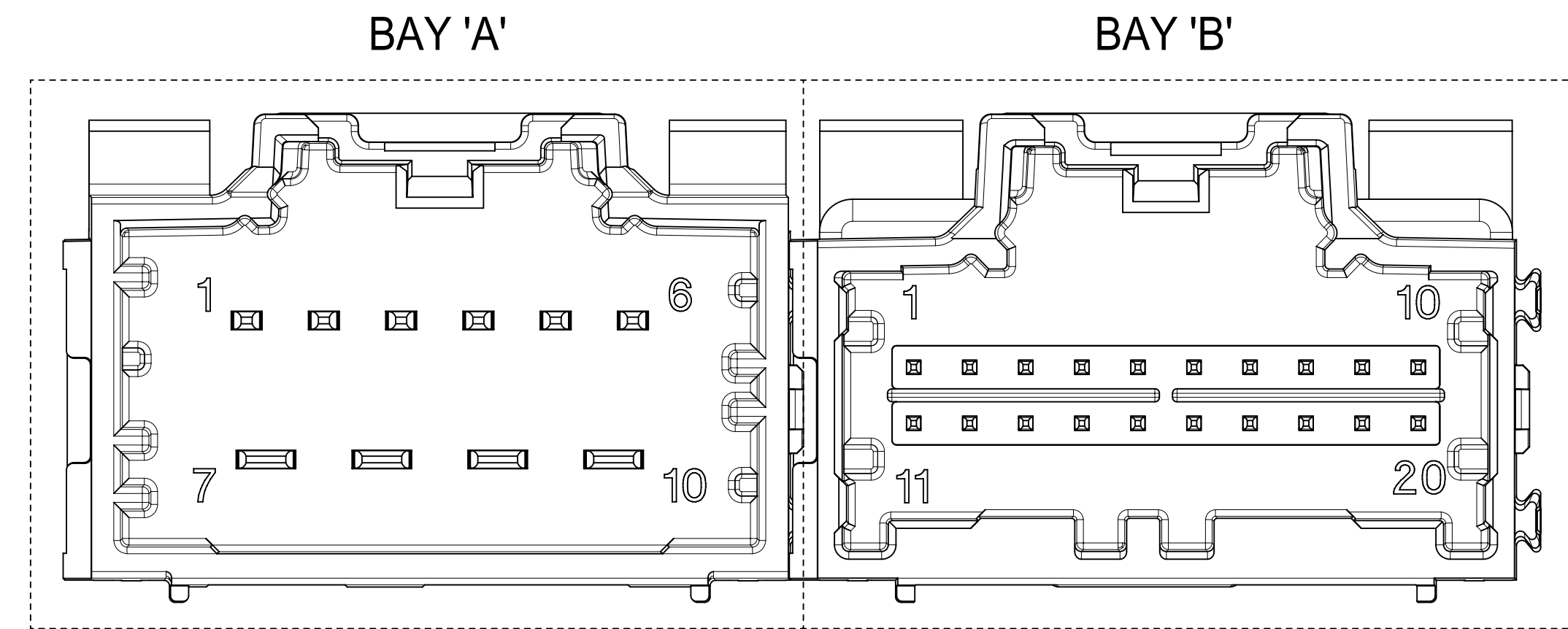


FUNCTIONAL SYMBOLS	THIS DRAWING CONTAINS INFORMATION THAT IS PROPRIETARY TO MOLEX ELECTRONIC TECHNOLOGIES, LLC AND SHOULD NOT BE USED WITHOUT WRITTEN PERMISSION			
	DIMENSION UNITS	SCALE	CURRENT REV DESC: SEE REVISION SHEET	
$\nabla_A = 0$	mm	4:1		
DIVISIONAL SYMBOLS	GENERAL TOLERANCES (UNLESS SPECIFIED)			
	ANGULAR TOL ± 3.0°			
	4 PLACES	±	EC NO: 637858	
	3 PLACES	±	DRWN: YPENG47 2020/05/19	
	2 PLACES	± 0.13	CHK'D: CDZHANG 2020/10/22	
1 PLACE	± 0.25	APPR: CDZHANG 2020/10/22		
0 PLACES	±	INITIAL REVISION:		
DRAFT WHERE APPLICABLE MUST REMAIN WITHIN DIMENSIONS		THIRD ANGLE PROJECTION	DRAWING	SERIES
			D-SIZE	34690
			MATERIAL NUMBER	CUSTOMER
			SEE CHART	
DOCUMENT NUMBER		DOC TYPE	DOC PART	REVISION
346900000		PSD	000	A4
SHEET NUMBER			2 OF 2	

2 BAY STAC64 VERTICAL HEADER ASSEMBLY (P/N: 34707-2012 SHOWN)

DIMENSIONAL CHART FOR MULTIBAY CONFIGURATION:

PART NUMBER (TUBE PKG)	PART NUMBER (TRAY PKG)	BAY A			BAY B			DIM 'A'	DIM 'B'	DIM 'C'	DIM 'D'
		CKT	TYPE	POL	CKT	TYPE	POL				
34707-7000	34707-2000	20	0.64mm	A	20	0.64mm	B	66.94	64.47	27.94	27.94
TBD	34707-2001	20	0.64mm	A	20	0.64mm	C	66.94	64.47	27.94	27.94
TBD	34707-2002	20	0.64mm	C	20	0.64mm	D	66.94	64.47	27.94	27.94
TBD	34707-2003	20	0.64mm	C	20	0.64mm	A	66.94	64.47	27.94	27.94
TBD	34707-2004	12	0.64mm	A	20	0.64mm	A	56.78	54.31	17.78	27.94
TBD	34707-2005	12	0.64mm	A	10	HYBRID	A	56.78	54.31	17.78	27.94
TBD	34707-2006	12	0.64mm	B	10	HYBRID	A	56.78	54.31	17.78	27.94
TBD	34707-2007	10	HYBRID	A	20	0.64mm	B	66.94	64.47	27.94	27.94
34707-7012	34707-2012	10	HYBRID	A	20	0.64mm	C	66.94	64.47	27.94	27.94
TBD	34707-2022	20	0.64mm	C	10	HYBRID	A	66.94	64.47	27.94	27.94
TBD	34707-2023	20	0.64mm	A	20	0.64mm	D	66.94	64.47	27.94	27.94
TBD	34707-2030	10	HYBRID	B	10	HYBRID	A	66.94	64.47	27.94	27.94
TBD	34707-2040	12	0.64mm	A	12	0.64mm	B	46.62	44.15	17.78	17.78
TBD	34707-2050	20	0.64mm	A	16	0.64mm	A	61.86	59.39	27.94	22.86
TBD	34707-2060	20	0.64mm	A	12	0.64mm	A	56.78	54.31	27.94	17.78
TBD	34707-2070	16	0.64mm	A	8	0.64mm	C	46.62	44.15	22.86	12.70
34707-7080	34707-2080	12	0.64mm	A	20	0.64mm	B	56.78	54.31	17.78	27.94
TBD	34707-2090	16	0.64mm	A	16	0.64mm	B		54.31		



NOTES: VALID UNLESS OTHERWISE SPECIFIED

1. GENERAL:

a. CONNECTOR HEADER MUST BE VALIDATED TO THE FOLLOWING FUNCTIONAL REQUIREMENTS:

PRODUCT SPECIFICATION:
8-20 CKT 0.64mm PRODUCT SPEC: PS-34729-100/PS-31408-100
10/14 CKT HYBRID PRODUCT SPEC: PS-31372-100

b. APPLICATION REQUIREMENTS (REFERENCE ONLY):

APPLICATION SPECIFICATION: AS-34729-020/AS-31408-100

c. PACKAGING SPECIFICATION PER MOLEX DRAWING PK-31300-892 (TRAY)

d. PACKAGING SPECIFICATION PER MOLEX DRAWING PK-31301-063 (TUBE)

2. DESIGN: MATERIALS:

a. SHROUD (PLASTIC HOUSING):

RESIN - SPS 30%GF

COLORS:

POL A - BLACK

POL B - GRAY

POL C - BROWN

POL D - GREEN

b. 0.64mm PINS:

BASE MATERIAL: C26000

PLATING TYPE: AS NOTED

1.50/2.80mm BLADES:

BASE MATERIAL: C19400

PLATING TYPE: AS NOTED

3. PLATING REQUIREMENTS:

a. UNDERPLATING - OVERALL NICKEL

b. OVERPLATING - OVERALL TIN

4. FOR DESCRIPTION OF INDIVIDUAL BAYS, REFER TO THE FOLLOWING

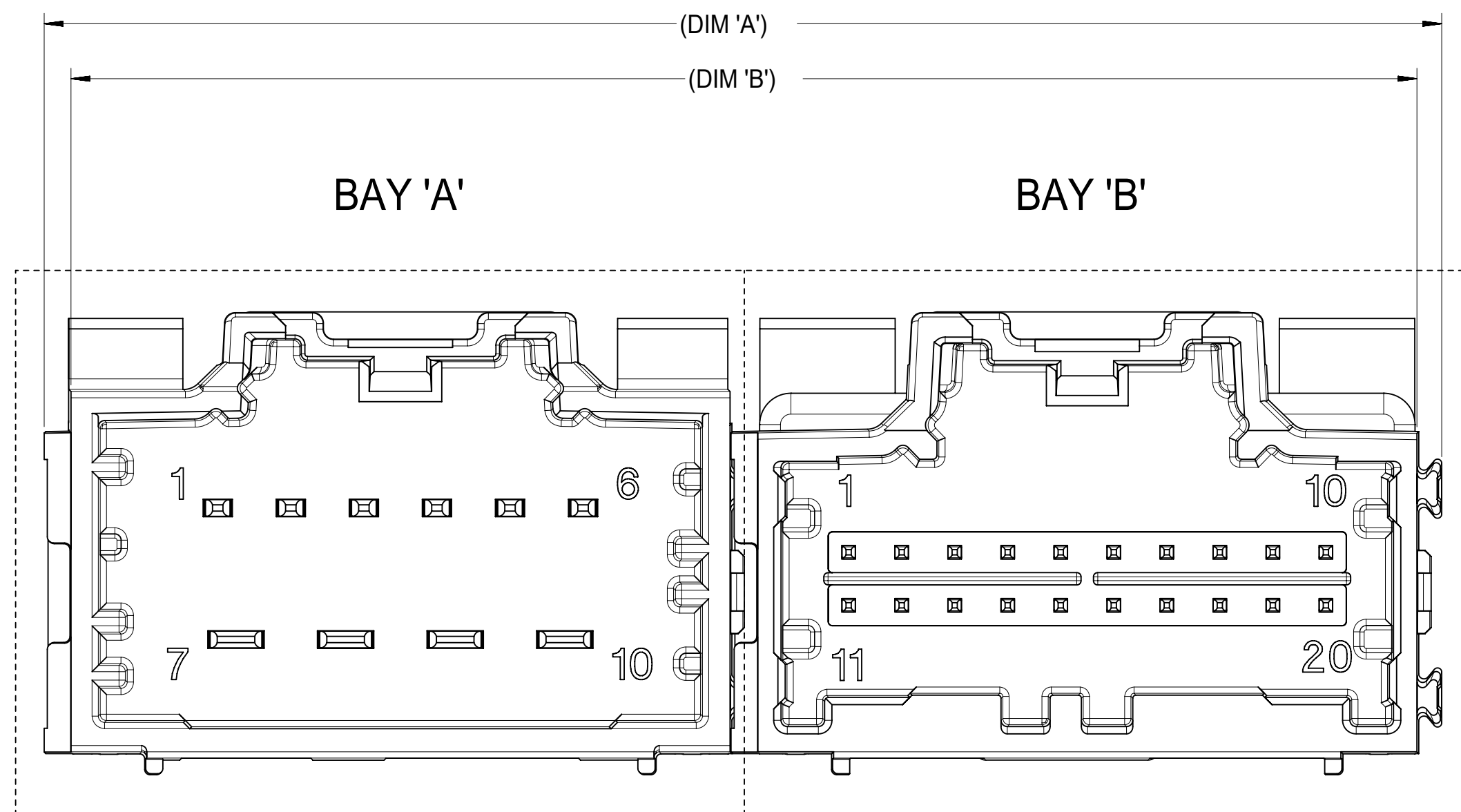
SINGLE BAY DRAWINGS:

8-20 CKT 0.64: SD-34690-100

10 CKT HYBRID: SD-34695-100

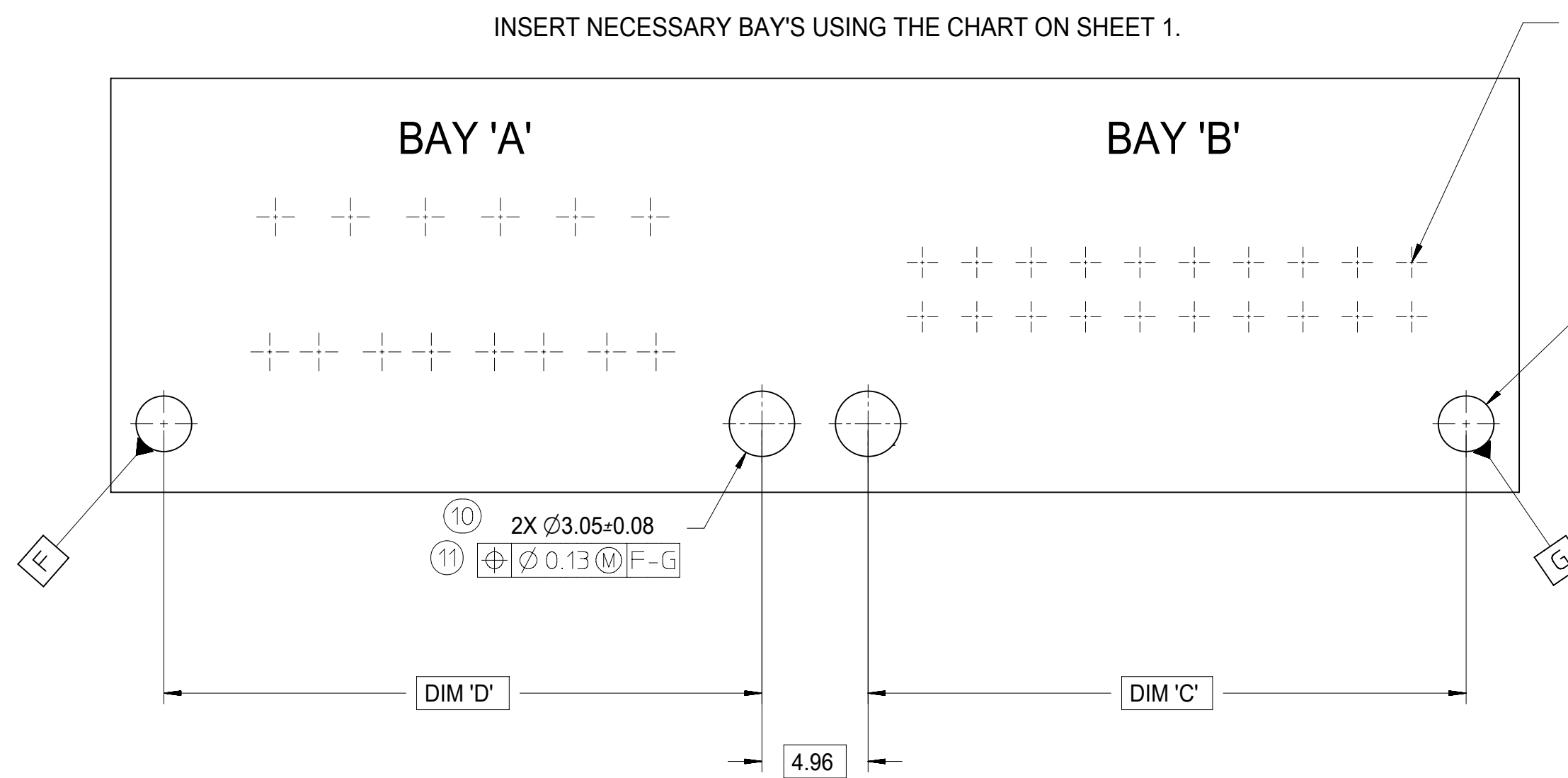
14 CKT HYBRID: SD-34772-200

SYMBOLS	THIS DRAWING CONTAINS INFORMATION THAT IS PROPRIETARY TO MOLEX ELECTRONIC TECHNOLOGIES, LLC AND SHOULD NOT BE USED WITHOUT WRITTEN PERMISSION		CURRENT REV DESC:		<h1 style="margin: 0;">molex</h1>
	DIMENSION UNITS	SCALE			
▽ = 0	mm	4:1			2-BAY STAC64 VERTICAL HEADER ASSEMBLY SALES DRAWING
▽ = 0	GENERAL TOLERANCES (UNLESS SPECIFIED)				
▽ = 0	ANGULAR TOL ± 3.0°		EC NO: 612618		PRODUCT CUSTOMER DRAWING
▽ = 0	4 PLACES	±	DRWN: SHANDITHAVAL 2019/02/22		
▽ = 0	3 PLACES	±	CHK'D: RBAUMAN 2019/02/23		
▽ = 0	2 PLACES	± 0.13	APPR: RBAUMAN 2019/02/23		
▽ = 0	1 PLACE	± 0.25	INITIAL REVISION:		
▽ = 0	0 PLACES	±	DRWN: MBAILEY 2008/08/14		
▽ = 0	DRAFT WHERE APPLICABLE MUST REMAIN WITHIN DIMENSIONS		APPR: SMARCEAU 2008/08/14		
▽ = 0	THIRD ANGLE PROJECTION	DRAWING	SERIES	MATERIAL NUMBER	CUSTOMER
		D-SIZE	34707	SEE TABLE	GENERAL MARKET
				DOCUMENT NUMBER	DOC TYPE DOC PART REVISION
				SD-34707-200	PSD 001 K7
					SHEET NUMBER
					1 OF 4



RECOMMENDED PCB LAYOUT

INSERT NECESSARY BAY'S USING THE CHART ON SHEET 1.

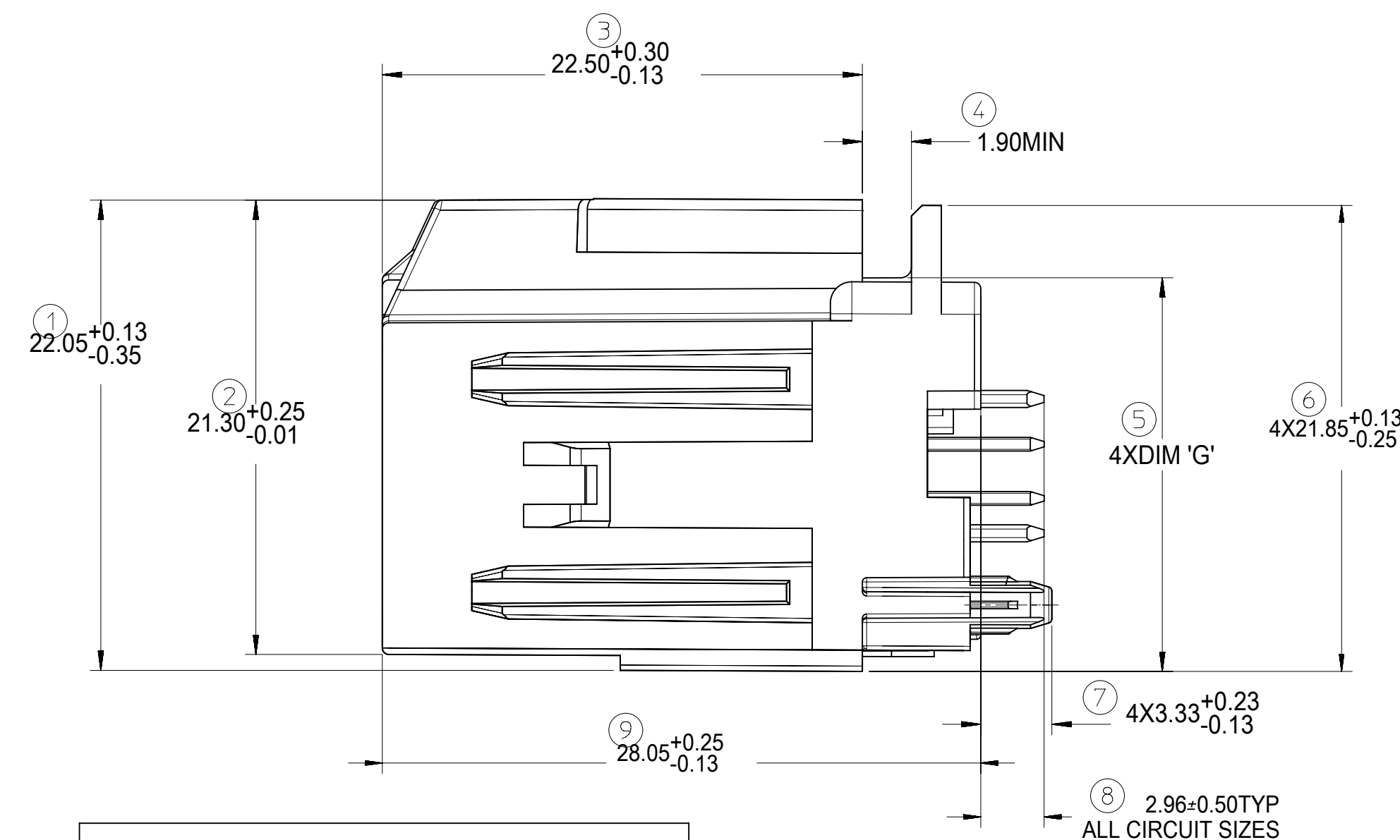


FOR HOLE LOCATION REFER TO TEMPLATE ON SHEET 4

2X $\phi Z=0.08$ (12)
 $\phi \phi 0.13$ (13)

POST HOLE TABLE:

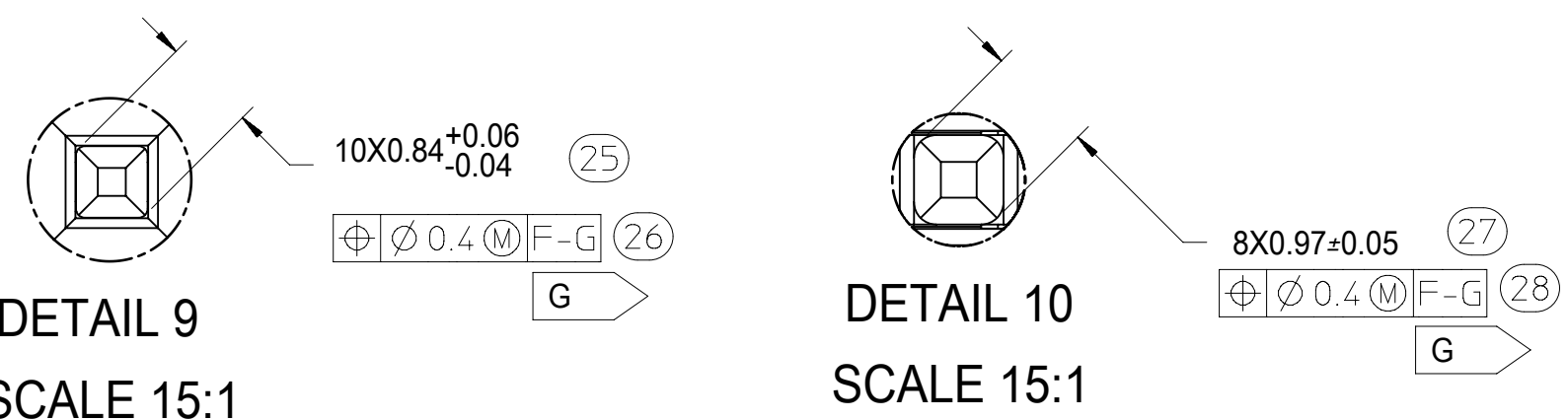
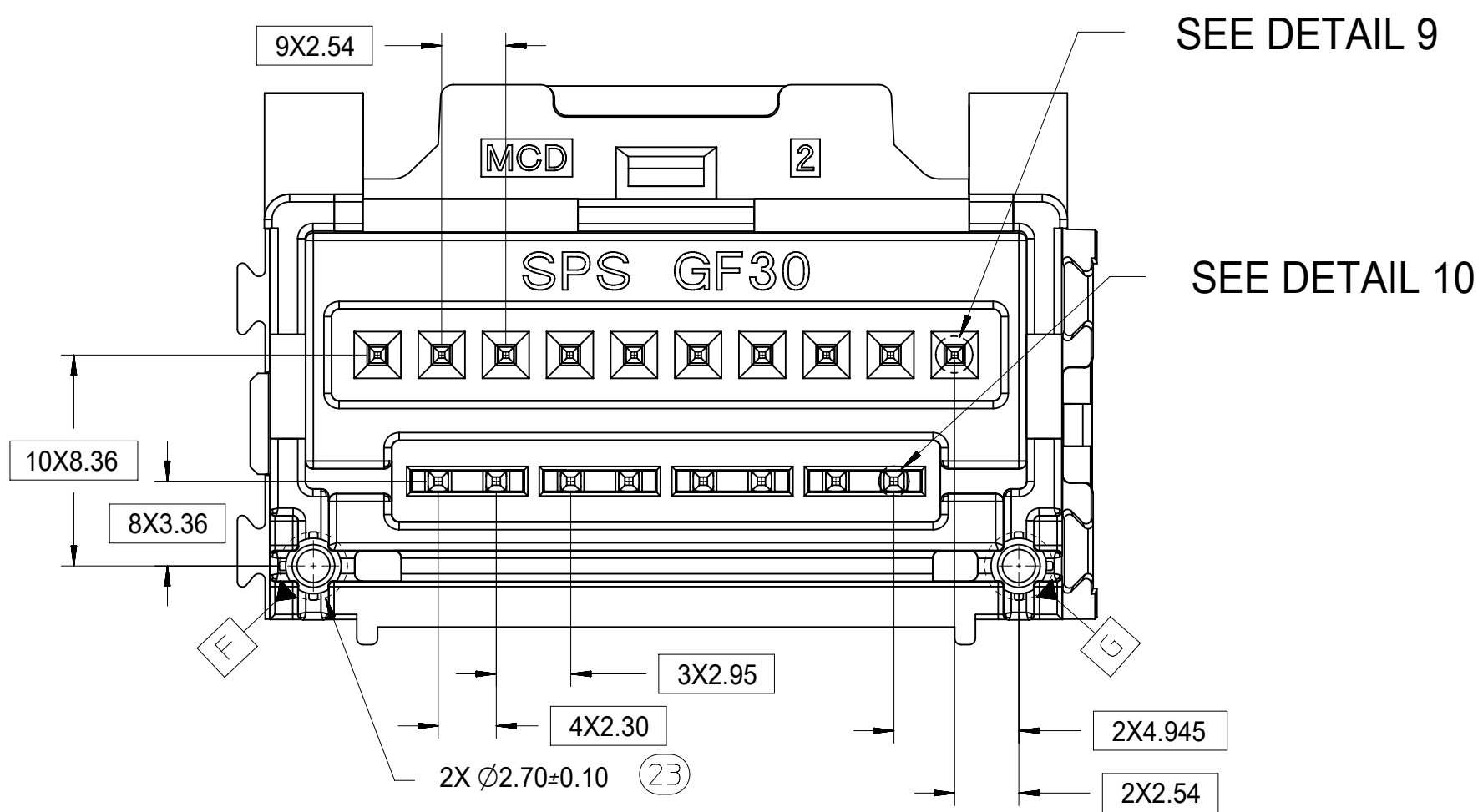
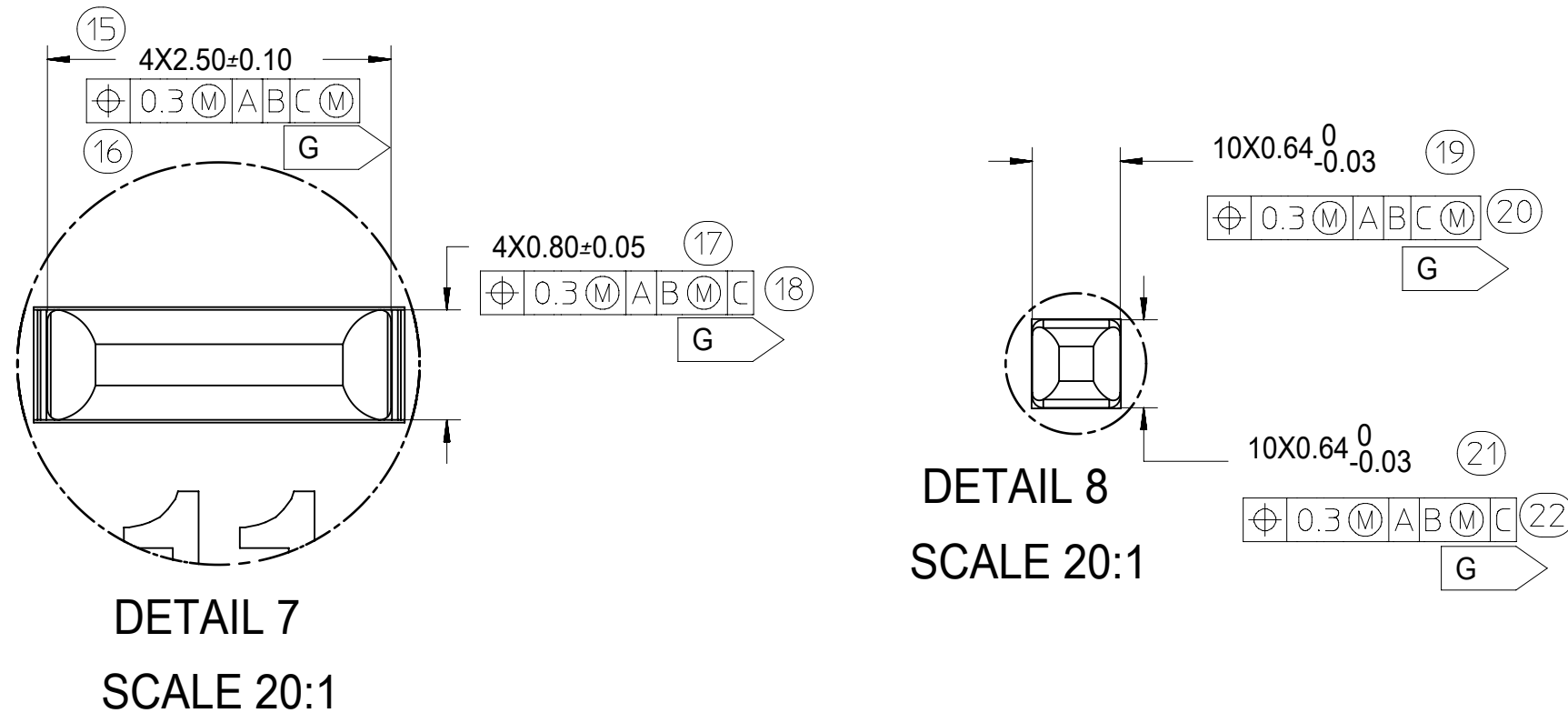
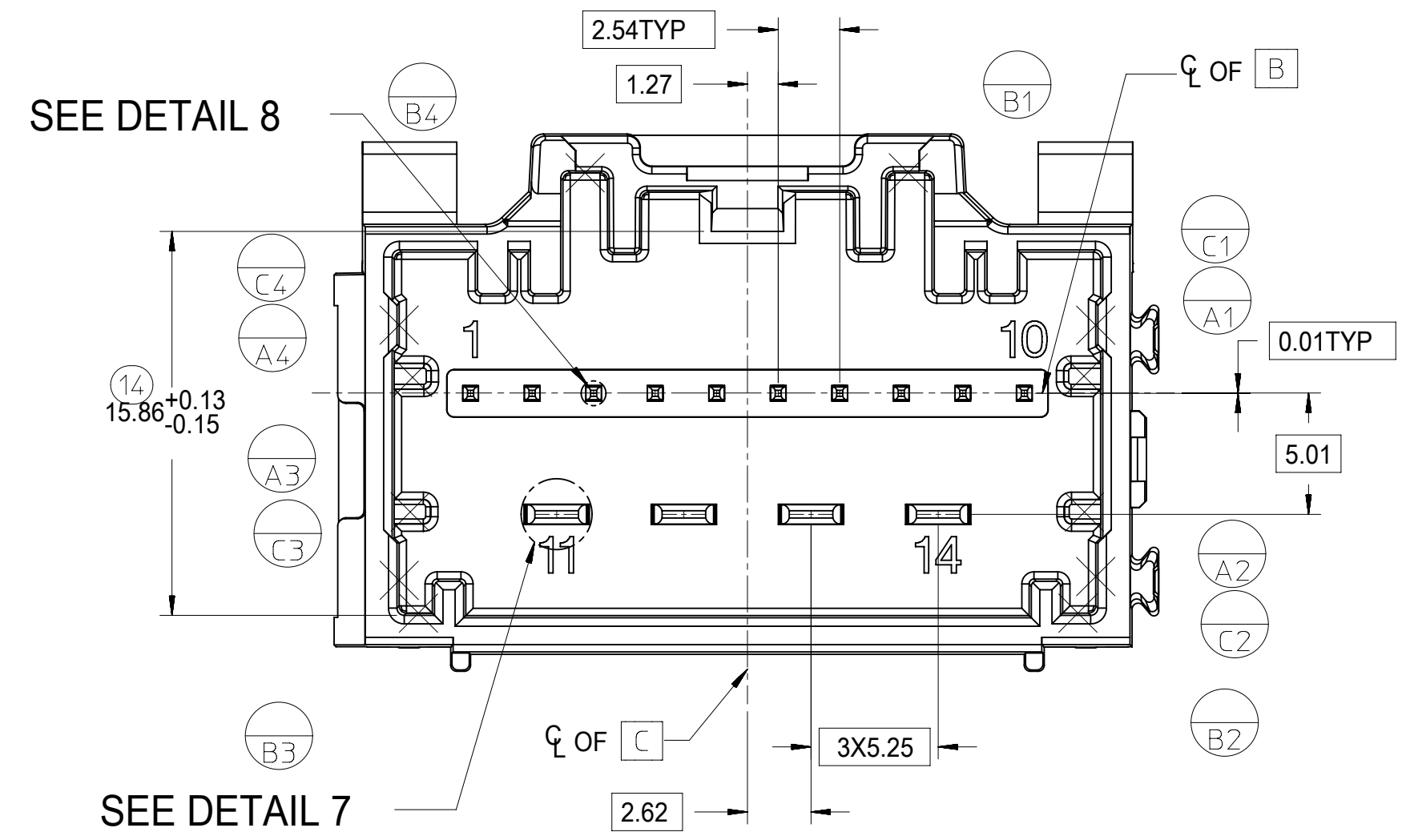
FOR DIM Z:	
PRESS FIT:	2.60
DROP IN:	3.05



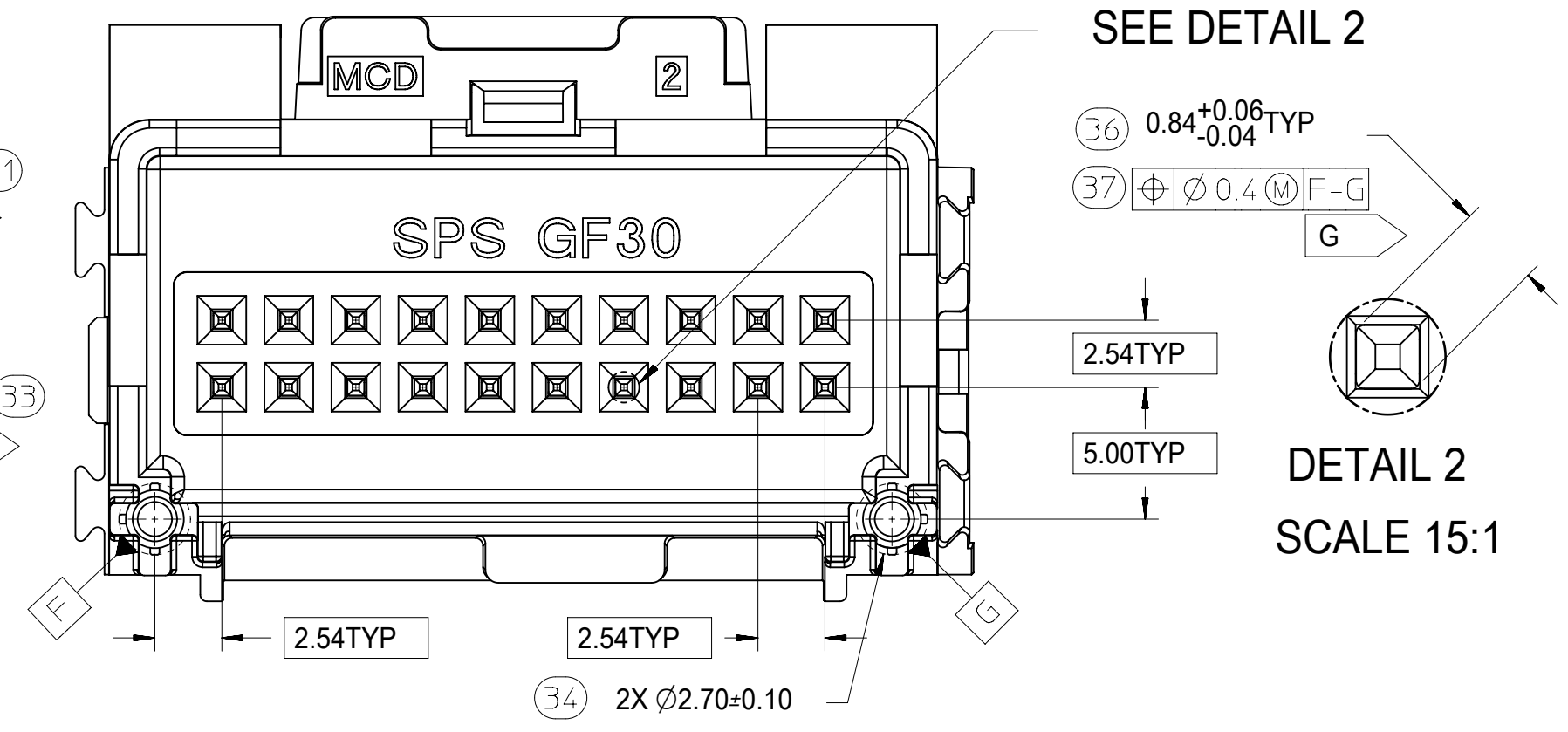
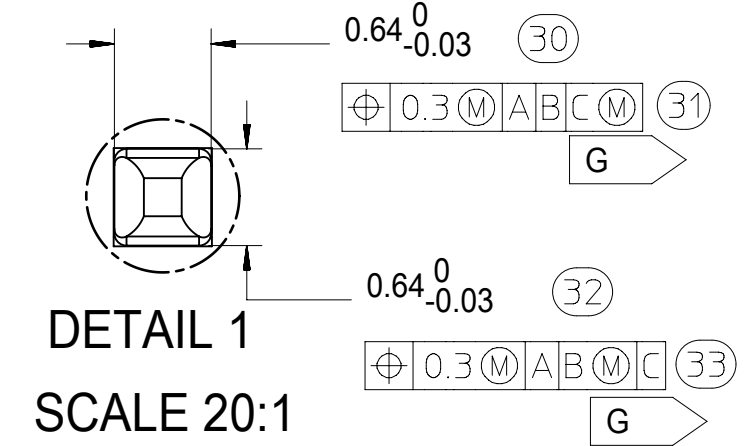
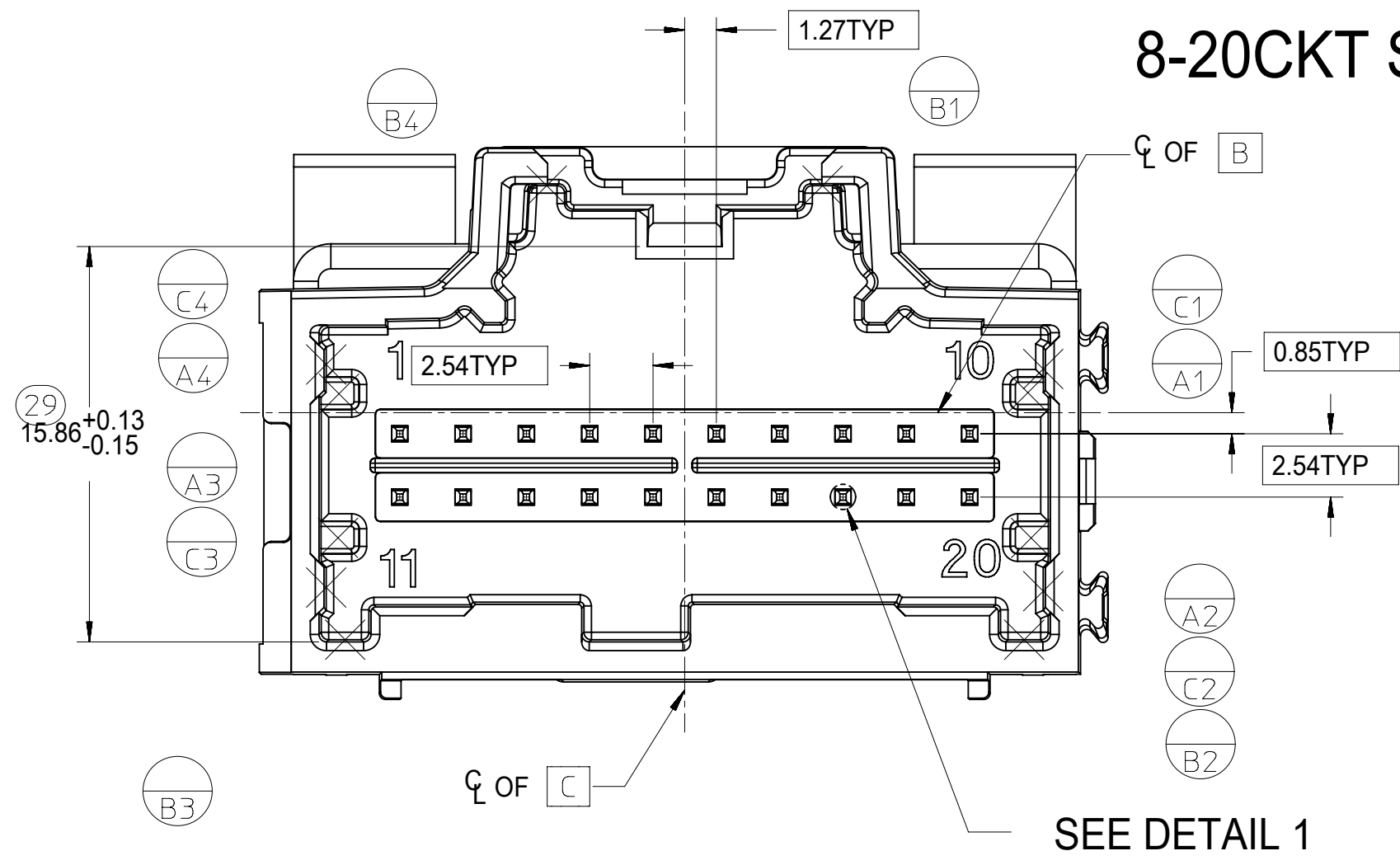
FOR DIM G:	
8-20CKT 0.64mm	18.40 MAX
10/14CKT Hybrid	18.59 MAX

SYMBOLS	THIS DRAWING CONTAINS INFORMATION THAT IS PROPRIETARY TO MOLEX ELECTRONIC TECHNOLOGIES, LLC AND SHOULD NOT BE USED WITHOUT WRITTEN PERMISSION		
	DIMENSION UNITS	SCALE	CURRENT REV DESC:
$\nabla = 0$	mm	4:1	molex 2-BAY STAC64 VERTICAL HEADER ASSEMBLY SALES DRAWING PRODUCT CUSTOMER DRAWING
$\nabla = 0$	GENERAL TOLERANCES (UNLESS SPECIFIED)		
$\nabla = 0$	ANGULAR TOL $\pm 3.0^\circ$		
$\nabla = 0$	4 PLACES	\pm	
$\nabla = 0$	3 PLACES	\pm	
$\nabla = 0$	2 PLACES	± 0.13	EC NO: 612618 DRWN: SHANDITHAVAL 2019/02/22 CHK'D: RBAUMAN 2019/02/23 APPR: RBAUMAN 2019/02/23
$\nabla = 0$	1 PLACE	± 0.25	
$\nabla = 0$	0 PLACES	\pm	INITIAL REVISION:
$\nabla = 0$	DRAFT WHERE APPLICABLE MUST REMAIN WITHIN DIMENSIONS		DRWN: MBAILEY 2008/08/14 APPR: SMARCEAU 2008/08/14
$\nabla = 0$	THIRD ANGLE PROJECTION	DRAWING	SERIES
$\nabla = 0$		D-SIZE	34707
DOCUMENT NUMBER		DOC TYPE	DOC PART
SD-34707-200		PSD	001
MATERIAL NUMBER		CUSTOMER	REVISION
SEE TABLE		GENERAL MARKET	K7
SHEET NUMBER		2 OF 4	

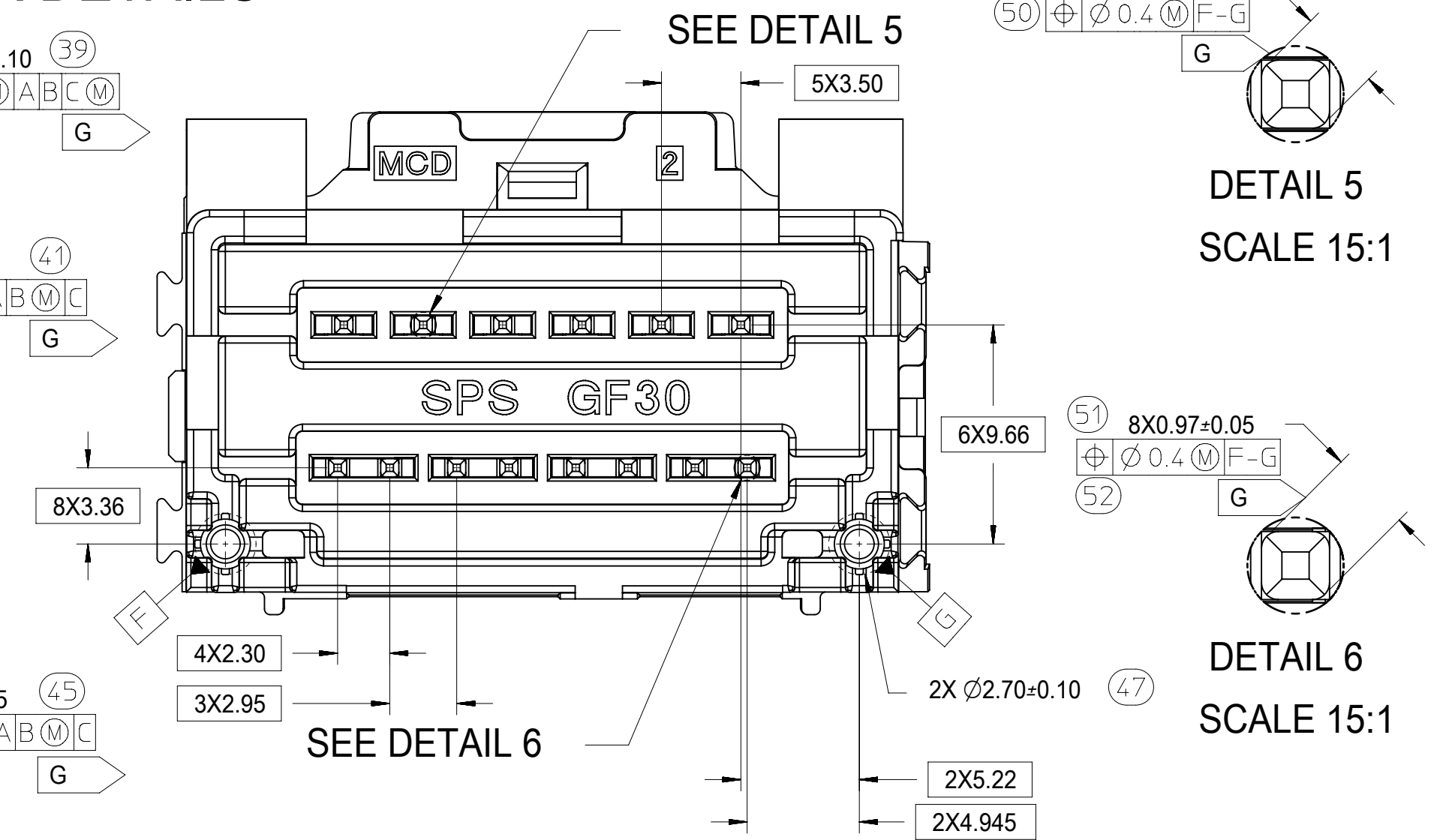
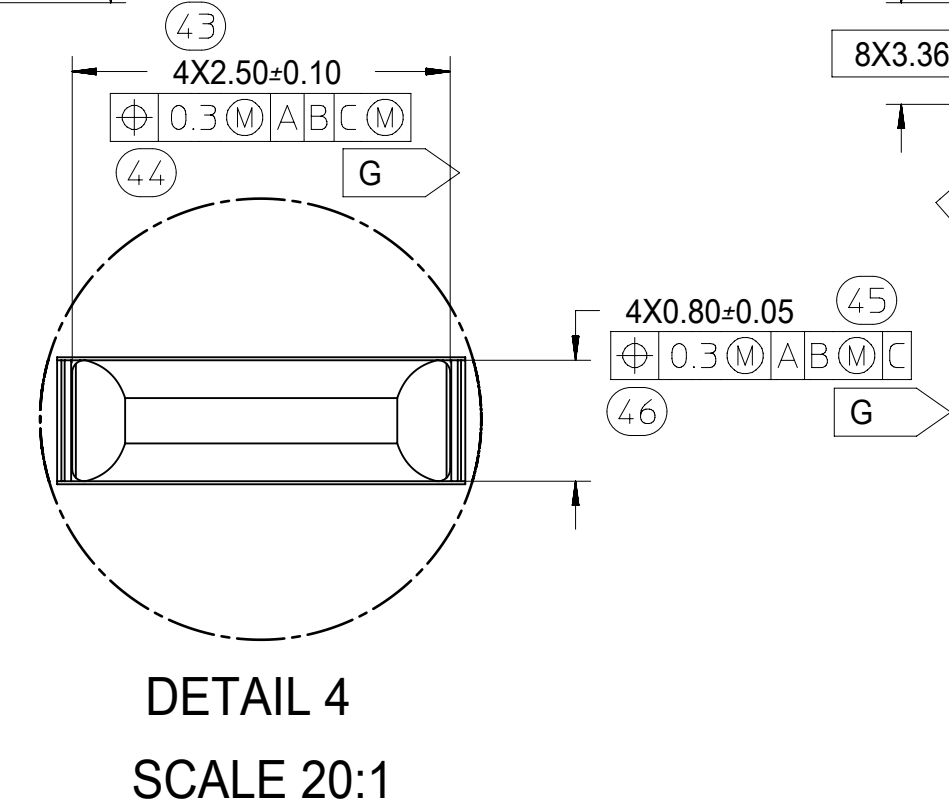
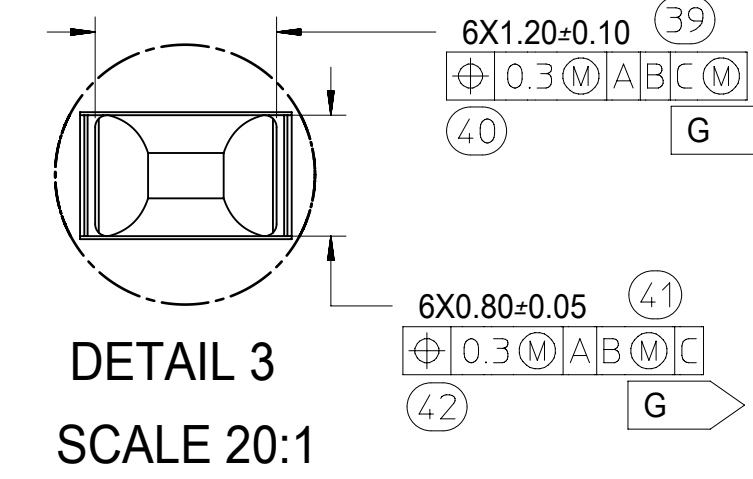
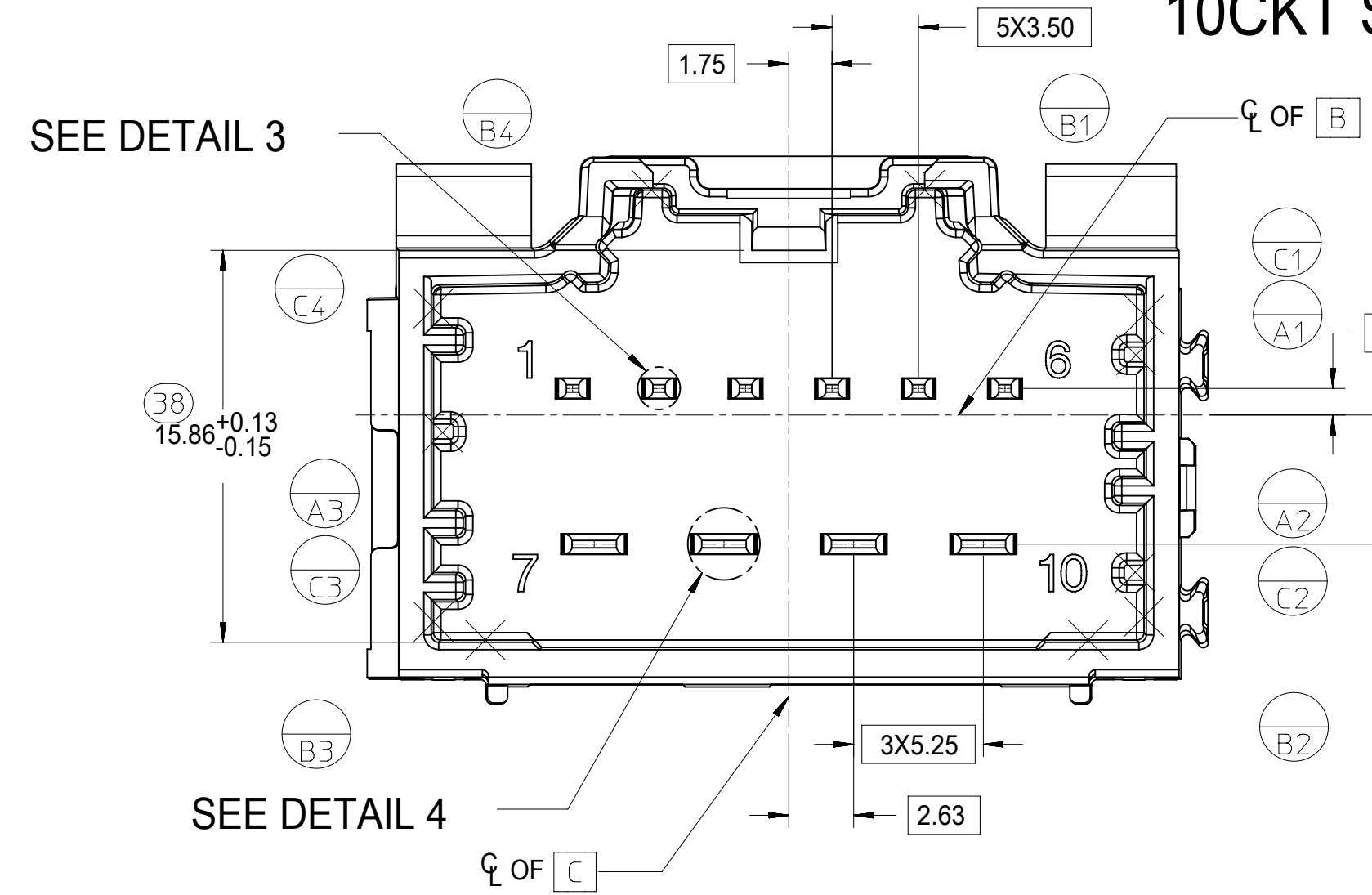
14CKT STAC HYBRID HEADER DETAILS



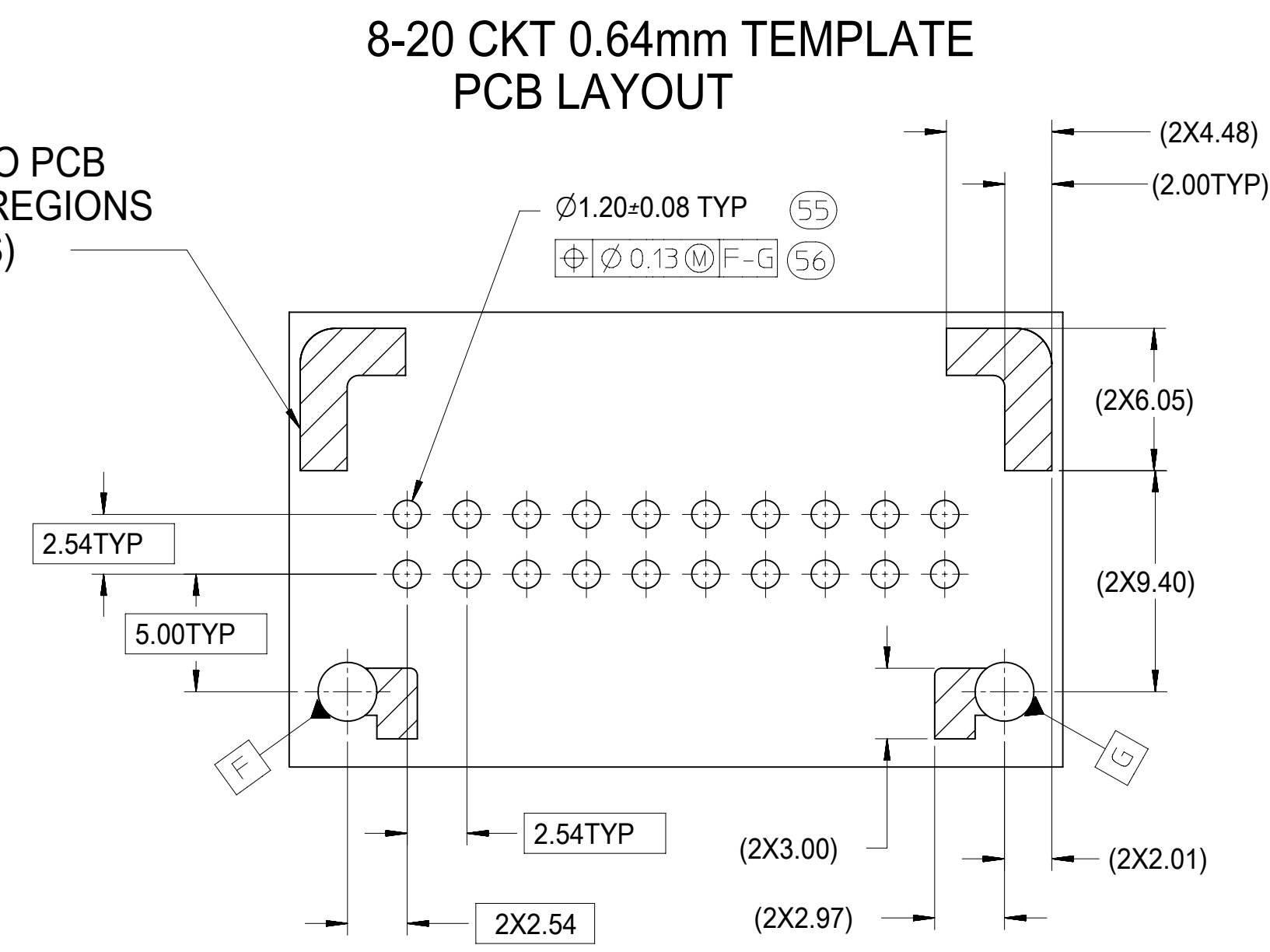
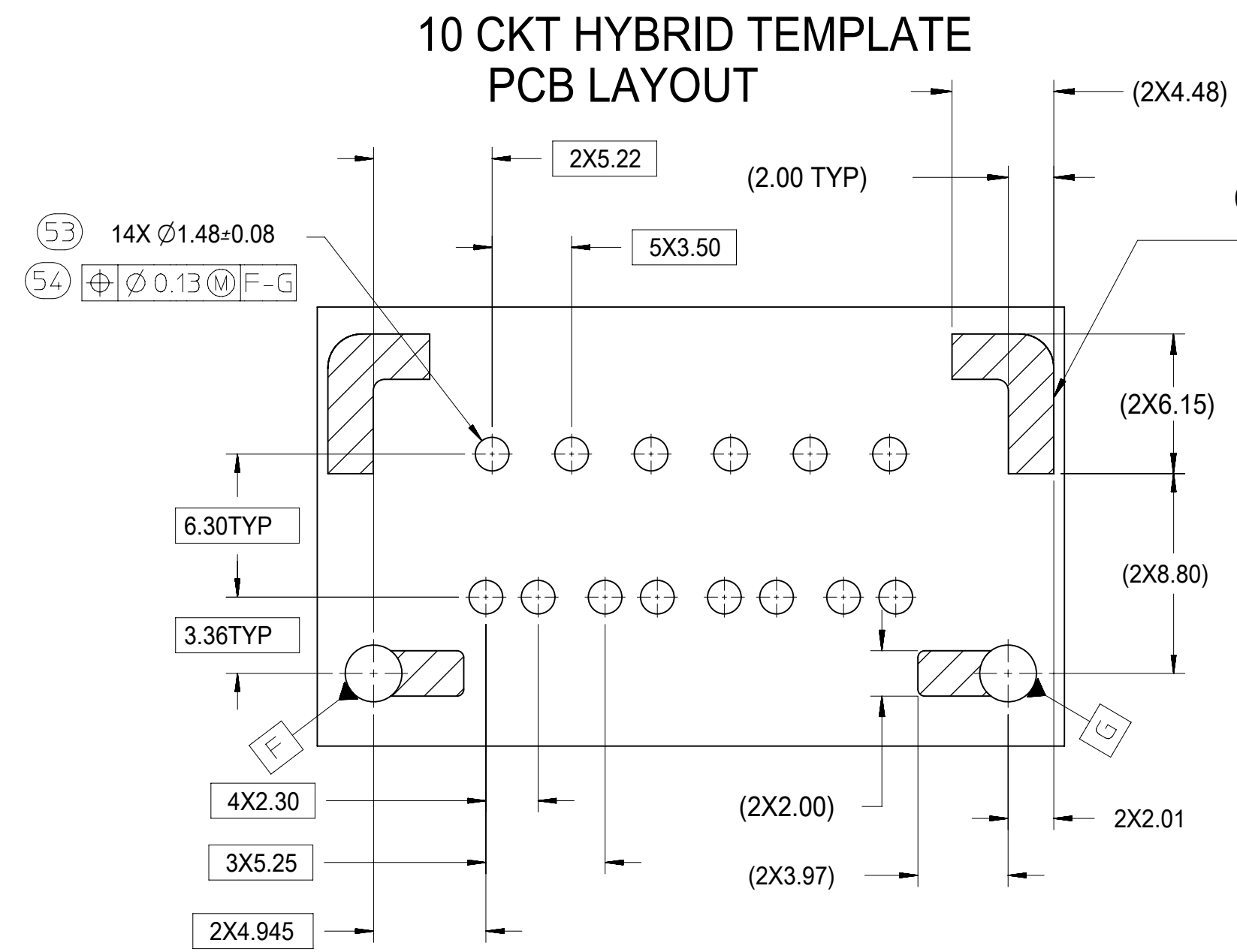
8-20CKT STAC 0.64mm HEADER DETAILS



10CKT STAC HYBRID HEADER DETAILS

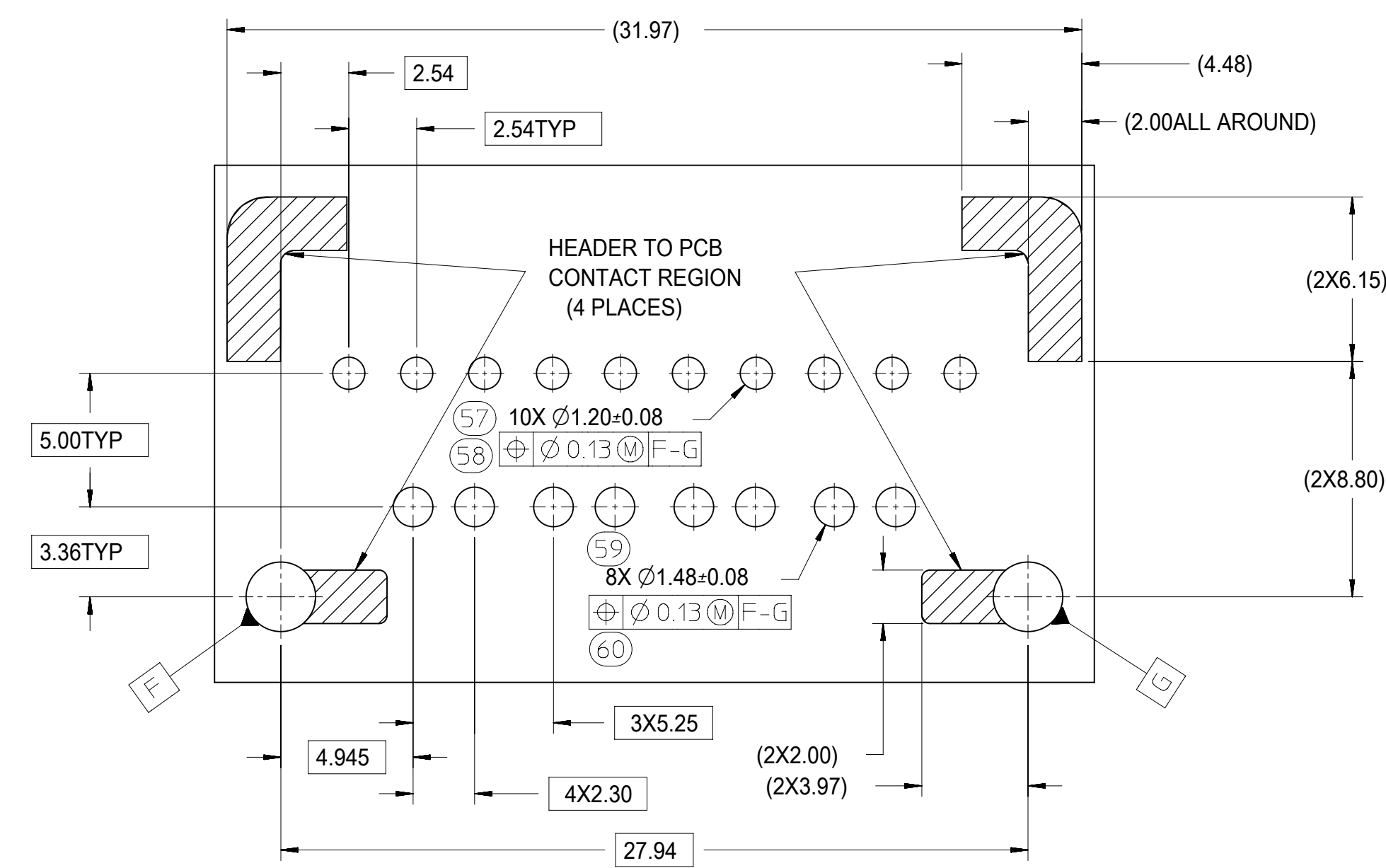


SYMBOLS	THIS DRAWING CONTAINS INFORMATION THAT IS PROPRIETARY TO MOLEX ELECTRONIC TECHNOLOGIES, LLC AND SHOULD NOT BE USED WITHOUT WRITTEN PERMISSION		
	DIMENSION UNITS	SCALE	CURRENT REV DESC:
▽ = 0	mm	4:1	EC NO: 612618 DRWN: SHANDITHAVAL 2019/02/22 CHK'D: RBAUMAN 2019/02/23 APPR: RBAUMAN 2019/02/23 INITIAL REVISION: DRWN: MBAILEY 2008/08/14 APPR: SMARCEAU 2008/08/14 DRAFT WHERE APPLICABLE MUST REMAIN WITHIN DIMENSIONS
▽ = 0	GENERAL TOLERANCES (UNLESS SPECIFIED)		
▽ = 0	ANGULAR TOL ± 3.0°		
▽ = 0	4 PLACES ±		
▽ = 0	3 PLACES ±		
▽ = 0	2 PLACES ± 0.13		
▽ = 0	1 PLACE ± 0.25		
▽ = 0	0 PLACES ±		
⊗ = 0	THIRD ANGLE PROJECTION	DRAWING	SERIE MATERIAL NUMBER CUSTOMER SHEET NUMBER
⊗ = 0	THIRD ANGLE PROJECTION	D-SIZE	
⊗ = 0	THIRD ANGLE PROJECTION	34707	
DOCUMENT STATUS		RELEASE DATE	SD-34707-200
P1		2019/02/23 23:32:56	PSD 001 K7
			GENERAL MARKET
			3 OF 4



HEADER TO PCB CONTACT REGIONS (8 PLACES)

14 CKT HYBRID TEMPLATE PCB LAYOUT



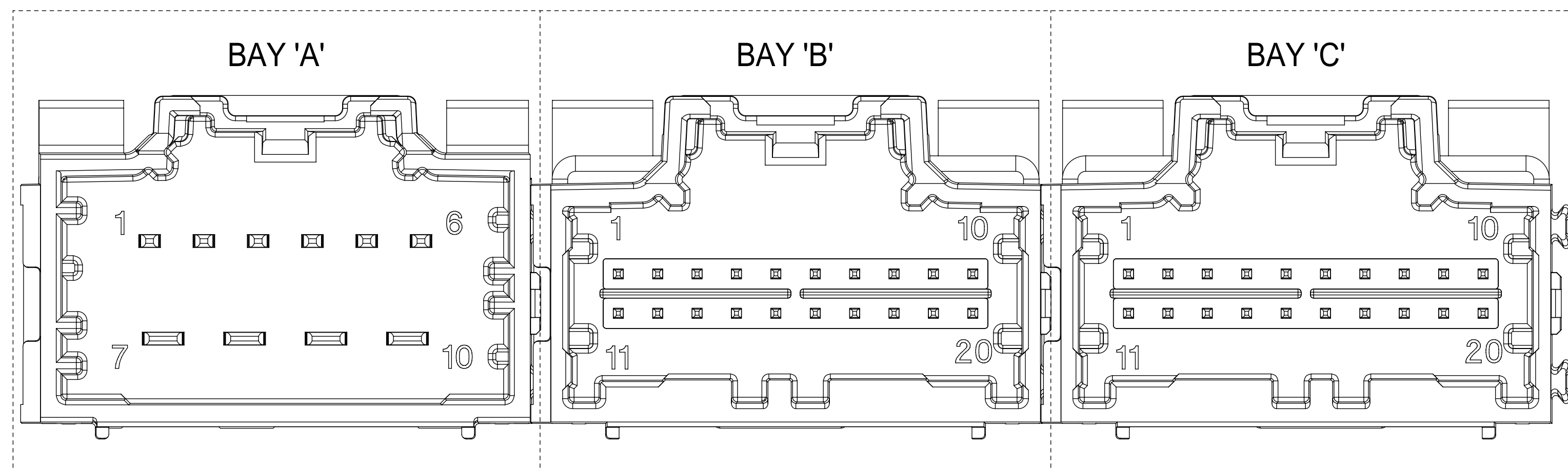
HEADER TO PCB CONTACT REGION (4 PLACES)

SYMBOLS	THIS DRAWING CONTAINS INFORMATION THAT IS PROPRIETARY TO MOLEX ELECTRONIC TECHNOLOGIES, LLC AND SHOULD NOT BE USED WITHOUT WRITTEN PERMISSION		
	DIMENSION UNITS	SCALE	CURRENT REV DESC:
▽ = 0	mm	4:1	<p>molex</p> <p>2-BAY STAC64 VERTICAL HEADER ASSEMBLY SALES DRAWING</p> <p>PRODUCT CUSTOMER DRAWING</p> <p>DOCUMENT NUMBER: SD-34707-200 DOC TYPE: PSD DOC PART: 001 REVISION: K7</p> <p>MATERIAL NUMBER: SEE TABLE CUSTOMER: GENERAL MARKET SHEET NUMBER: 4 OF 4</p>
▽ = 0	GENERAL TOLERANCES (UNLESS SPECIFIED)		
▽ = 0	ANGULAR TOL ± 3.0°		
▽ = 0	4 PLACES ±		
▽ = 0	3 PLACES ±		
▽ = 0	2 PLACES ± 0.13		
▽ = 0	1 PLACE ± 0.25		
▽ = 0	0 PLACES ±		
▽ = 0	DRAFT WHERE APPLICABLE MUST REMAIN WITHIN DIMENSIONS	THIRD ANGLE PROJECTION	<p>EC NO: 612618</p> <p>DRWN: SHANDITHAVAL 2019/02/22</p> <p>CHK'D: RBAUMAN 2019/02/23</p> <p>APPR: RBAUMAN 2019/02/23</p> <p>INITIAL REVISION:</p> <p>DRWN: MBAILEY 2008/08/14</p> <p>APPR: SMARCEAU 2008/08/14</p>
▽ = 0	D-DRAWING	SERIES	<p>D-DRAWING 34707</p>

DIMENSIONAL CHART FOR MULTIBAY CONFIGURATION:

PART NUMBER (TUBE PKG)	PART NUMBER (TRAY PKG)	BAY A			BAY B			BAY C			DIM 'A'	DIM 'B'	DIM 'C'	DIM 'D'	DIM 'E'
		CKT	TYPE	POL	CKT	TYPE	POL	CKT	TYPE	POL					
TBD	34707-3010	20	0.64mm	A	8	0.64mm	A	16	0.64mm	A	79.52	77.05	22.86	12.70	27.94
TBD	34707-3020	16	0.64mm	B	8	0.64mm	B	20	0.64mm	B	79.52	77.05	27.94	12.70	22.86
TBD	34707-3021	10	HYBRID	A	20	0.64mm	C	20	0.64mm	D	99.84	97.37	27.94	27.94	27.94
TBD	34707-3030	12	0.64mm	A	20	0.64mm	C	20	0.64mm	D	89.68	87.21	27.94	27.94	17.78
TBD	34707-3040	20	0.64mm	A	20	0.64mm	B	20	0.64mm	C	99.84	97.37	27.94	27.94	27.94
TBD	34707-3050	16	0.64mm	A	16	0.64mm	B	16	0.64mm	C	84.60	82.13	22.86	22.86	22.86
TBD	34707-3060	20	0.64mm	B	16	0.64mm	C	10	HYBRID	A	94.76	92.29	27.94	22.86	27.94
TBD	34707-3070	10	HYBRID	A	10	HYBRID	B	10	HYBRID	C	99.84	97.37	27.94	27.94	27.94
TBD	34707-3090	20	0.64mm	A	20	0.64mm	C	8	0.64mm	B	84.60	82.13	27.94	27.94	12.70
TBD	34707-3100	14	HYBRID	A	20	0.64mm	A	20	0.64mm	B	99.84	97.37	27.94	27.94	27.94

3-BAY STAC64 VERTICAL HEADER ASSEMBLY
(P/N: 34707-3021 SHOWN)



NOTES: VALID UNLESS OTHERWISE SPECIFIED
1. GENERAL:

a. CONNECTOR HEADER MUST BE VALIDATED TO THE FOLLOWING FUNCTIONAL REQUIREMENTS:

PRODUCT SPECIFICATION:
8-20 CKT 0.64mm PRODUCT SPEC: PS-34729-020/PS-31408-100
10/14 CKT HYBRID PRODUCT SPEC: PS-31372-100

b. APPLICATION REQUIREMENTS (REFERENCE ONLY):

APPLICATION SPECIFICATION: AS-34729-020/AS-31408-100

c. PACKAGING SPECIFICATION PER MOLEX DRAWING PK-31300-892 (TRAY)
c. PACKAGING SPECIFICATION PER MOLEX DRAWING PK-31301-063 (TUBE)

2. DESIGN: MATERIALS:

a. SHROUD (PLASTIC HOUSING):
RESIN - SPS 30%GF
COLOR:
POL A - BLACK
POL B - GRAY
POL C - BROWN
POL D - GREEN

b. 0.64mm PINS:
BASE MATERIAL: C26000
PLATING TYPE: AS NOTED

1.50/2.80mm BLADES:
BASE MATERIAL: C19400
PLATING TYPE: AS NOTED

3. PLATING REQUIREMENTS:

a. UNDERPLATING - OVERALL NICKEL

b. OVERPLATING - OVERALL TIN

4. FOR DESCRIPTION OF INDIVIDUAL BAYS, REFER TO THE FOLLOWING

SINGLE BAY DRAWINGS:
8-20 CKT 0.64: SD-34690-100
10 CKT HYBRID: SD-34695-100
14 CKT HYBRID: SD-34772-200

SYMBOLS	THIS DRAWING CONTAINS INFORMATION THAT IS PROPRIETARY TO MOLEX ELECTRONIC TECHNOLOGIES, LLC AND SHOULD NOT BE USED WITHOUT WRITTEN PERMISSION		
	DIMENSION UNITS	SCALE	CURRENT REV DESC:
▽ = 0	mm	4:1	EC NO: 612618 DRWN: SHANDITHAVAL 2019/02/22 CHK'D: RBAUMAN 2019/02/23 APPR: RBAUMAN 2019/02/23 INITIAL REVISION: DRWN: JDUNAJ 2009/03/10 APPR: SMARCEAU 2009/03/11
▽ = 0	GENERAL TOLERANCES (UNLESS SPECIFIED)		
▽ = 0	ANGULAR TOL ± 1.0°		
▽ = 0	4 PLACES	±	
▽ = 0	3 PLACES	±	
▽ = 0	2 PLACES	± 0.13	
▽ = 0	1 PLACE	± 0.25	
▽ = 0	0 PLACES	±	
■ = 0	DRAFT WHERE APPLICABLE MUST REMAIN WITHIN DIMENSIONS		THIRD ANGLE PROJECTION
▽ = 0			DRAWING D-SIZE
		SERIES 34707	
DOCUMENT STATUS P1		RELEASE DATE 2019/02/23 23:32:58	
			DOCUMENT NUMBER SD-34707-300 DOC TYPE PSD DOC PART 001 REVISION K2
			MATERIAL NUMBER SEE TABLE CUSTOMER GENERAL MARKET SHEET NUMBER 1 OF 4

molex

3-BAY STAC64 VERTICAL
HEADER ASSEMBLY SALES DRAWING

PRODUCT CUSTOMER DRAWING

DOCUMENT NUMBER SD-34707-300

DOC TYPE PSD

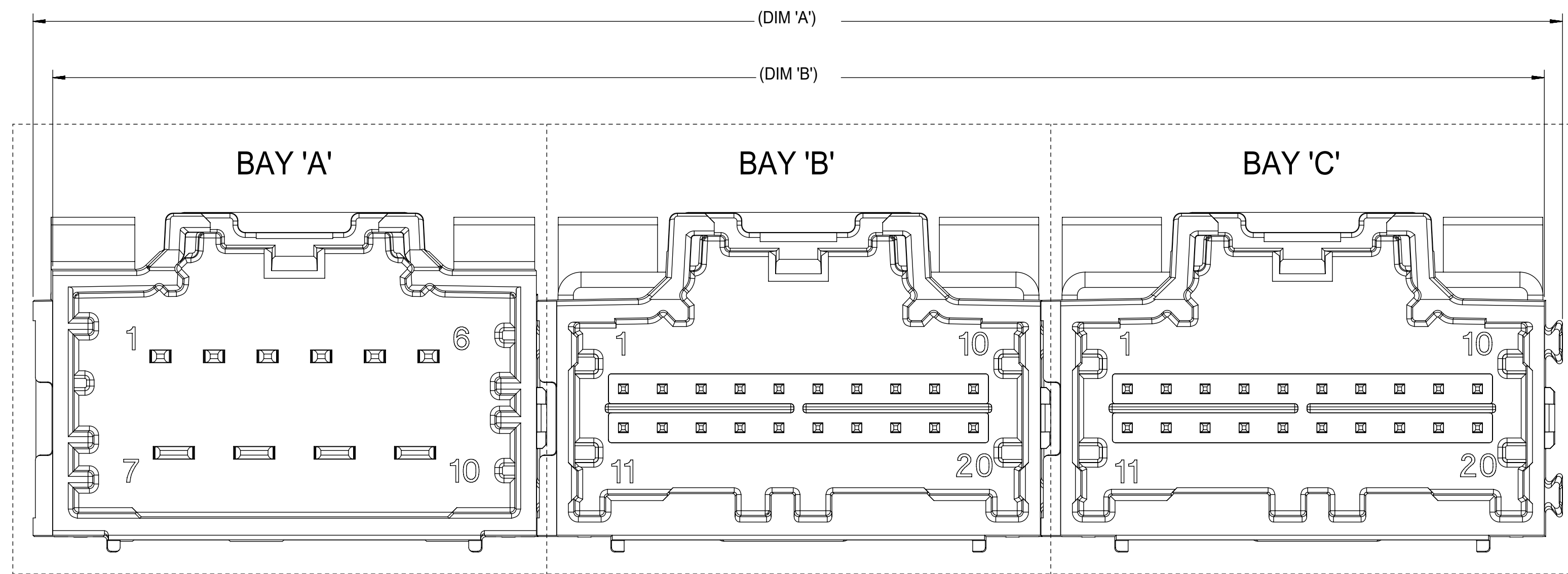
DOC PART 001

REVISION K2

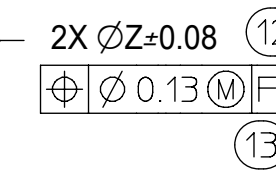
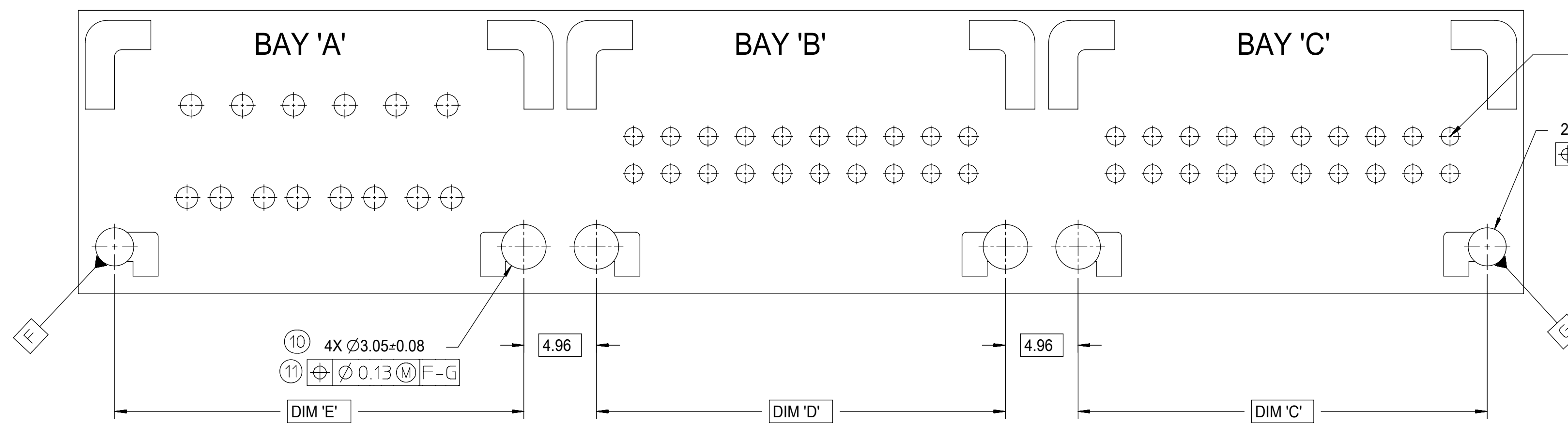
MATERIAL NUMBER SEE TABLE

CUSTOMER GENERAL MARKET

SHEET NUMBER 1 OF 4



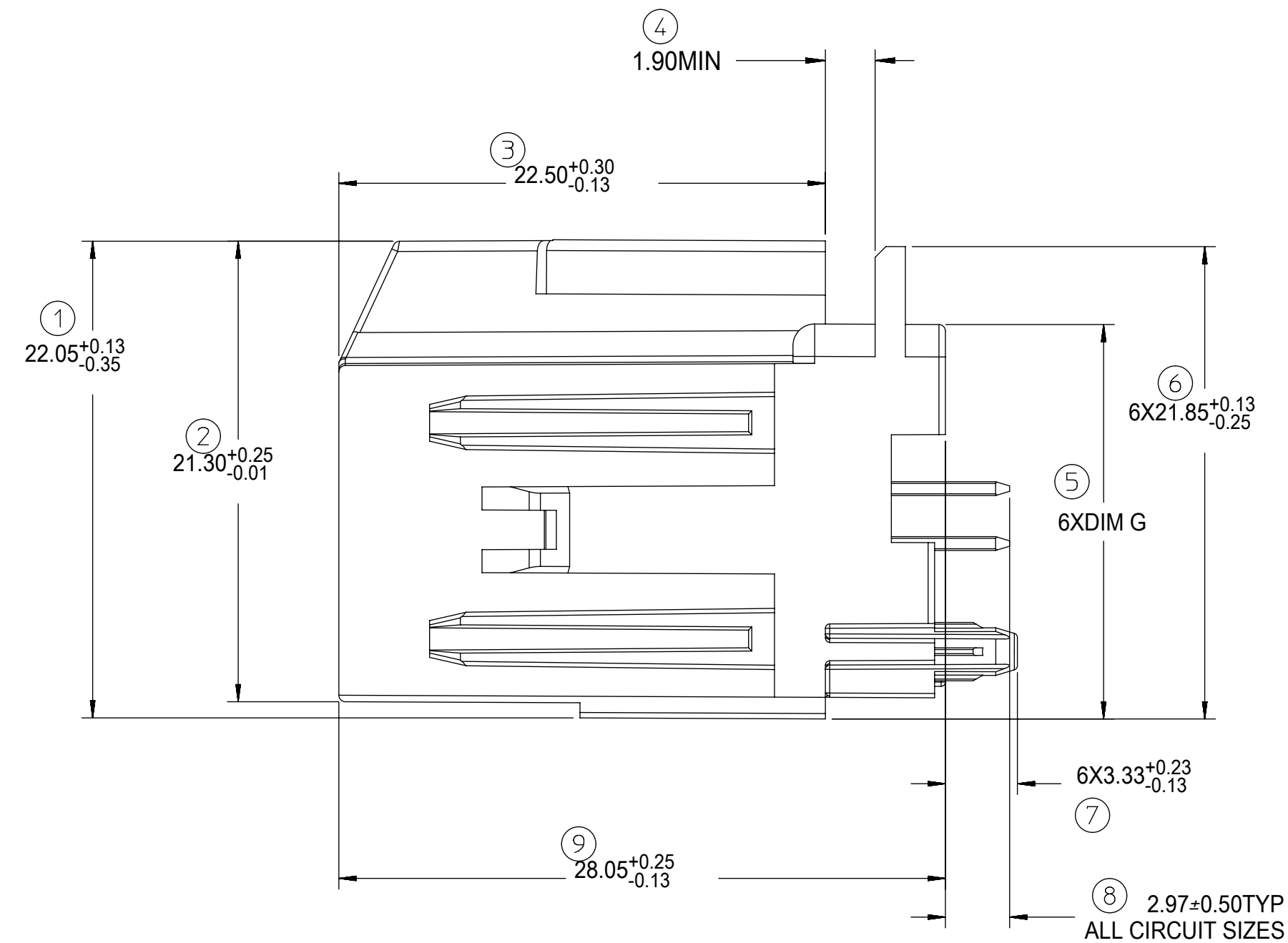
RECOMMENDED PCB LAYOUT
 INSERT NECESSARY BAYS USING CHART ON SHEET 1



FOR PIN LOCATION,
 REFER TO TEMPLATES ON SHEET 4

POST HOLE TABLE:

FOR DIM Z:	
PRESS FIT:	2.60
DROP IN:	3.05

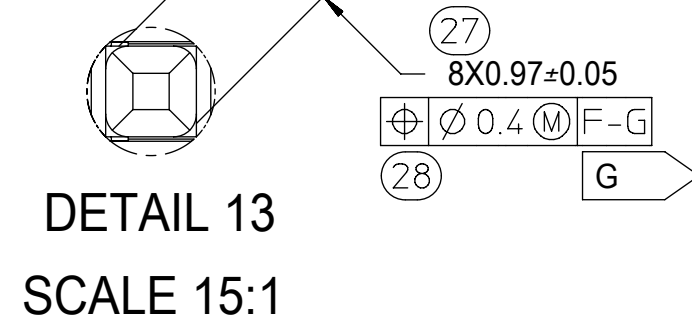
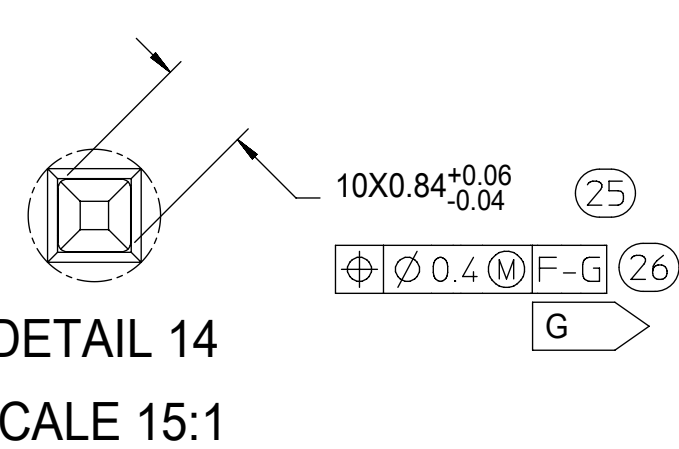
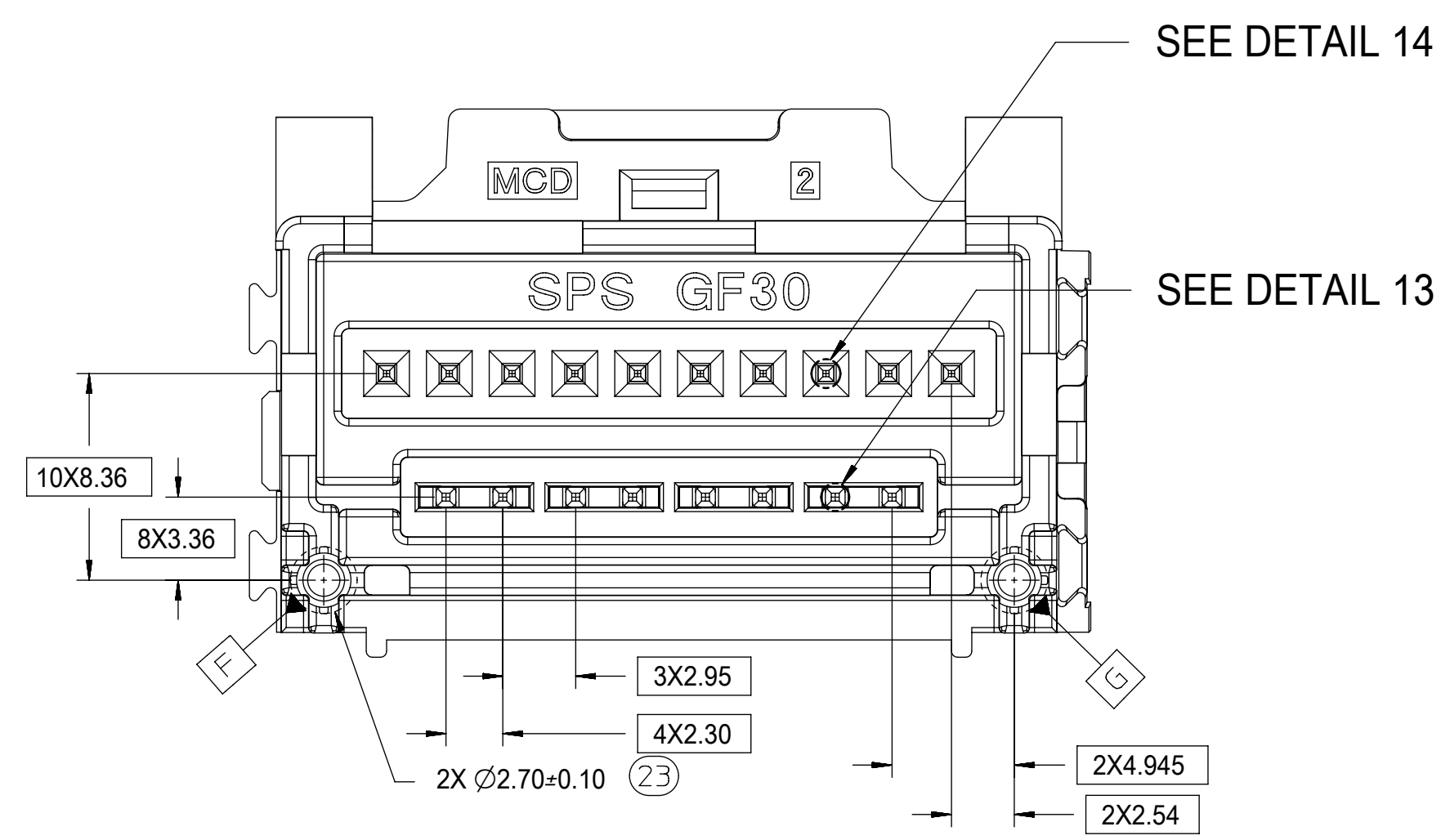
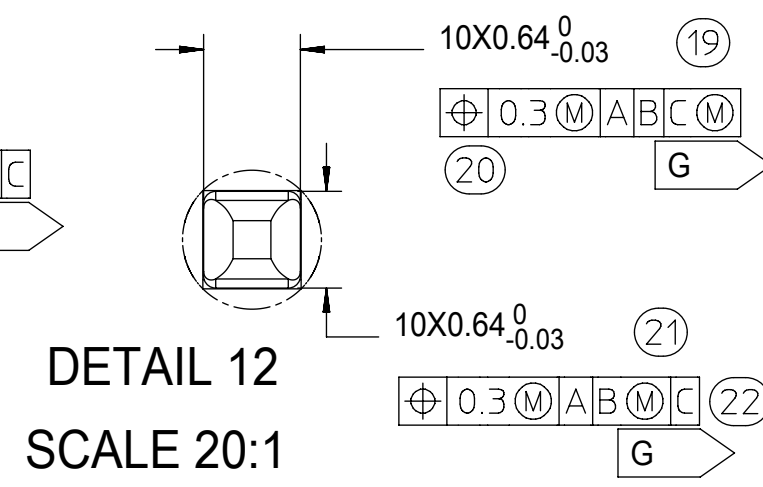
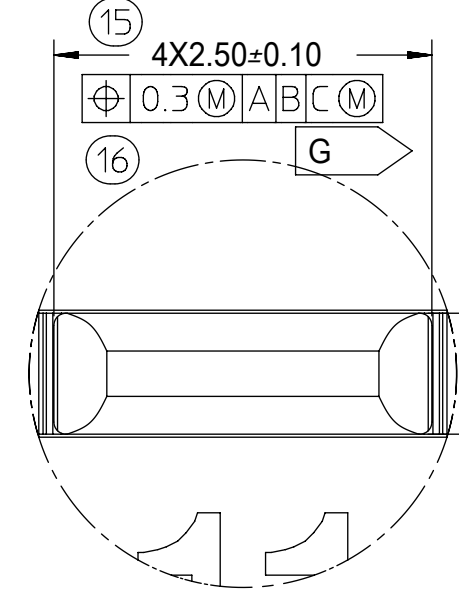
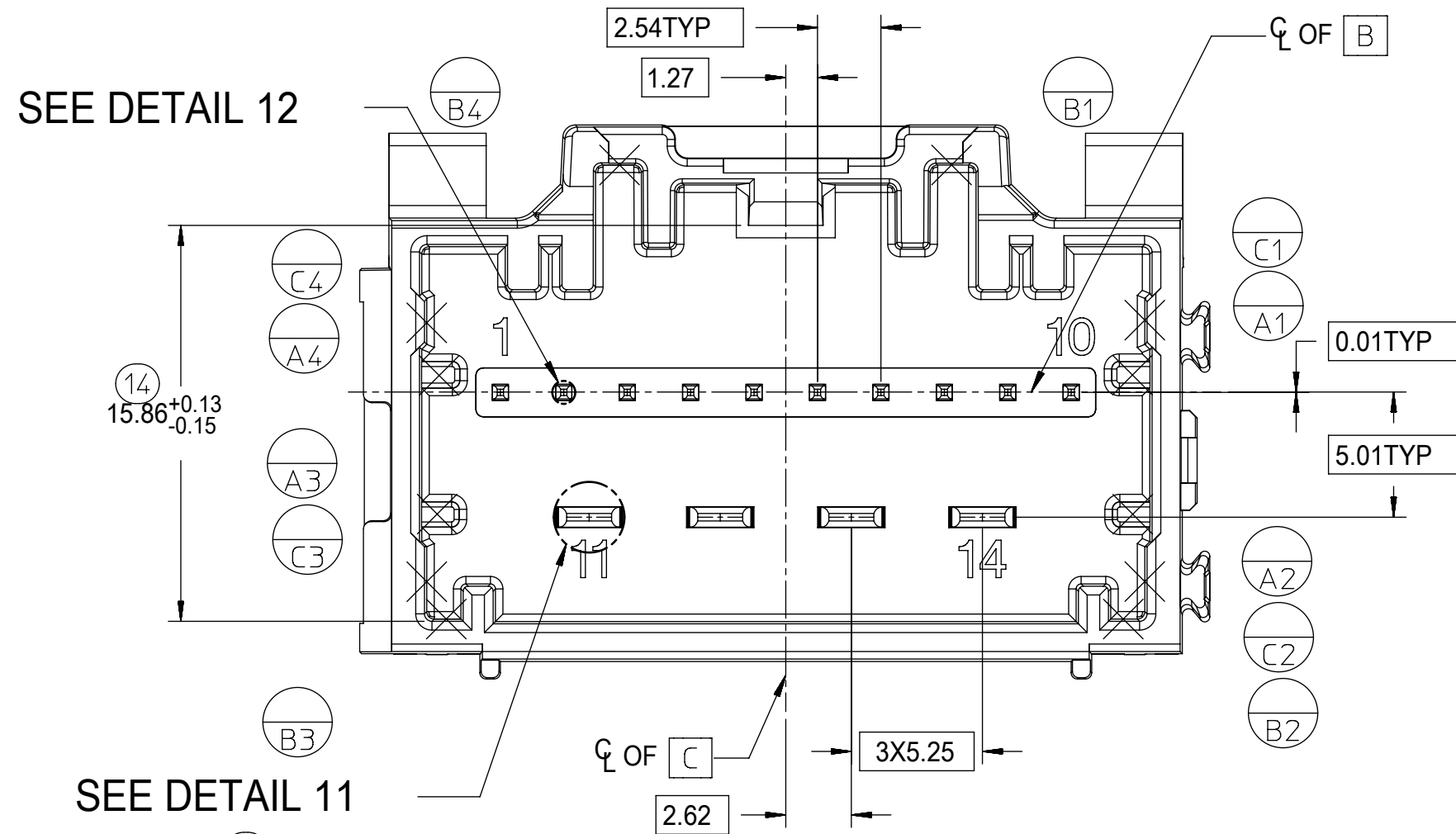


FOR DIM G:

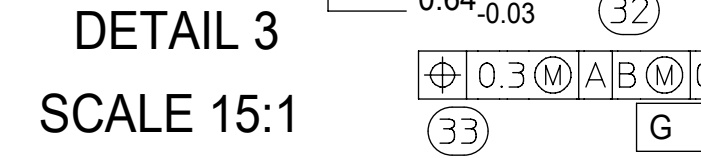
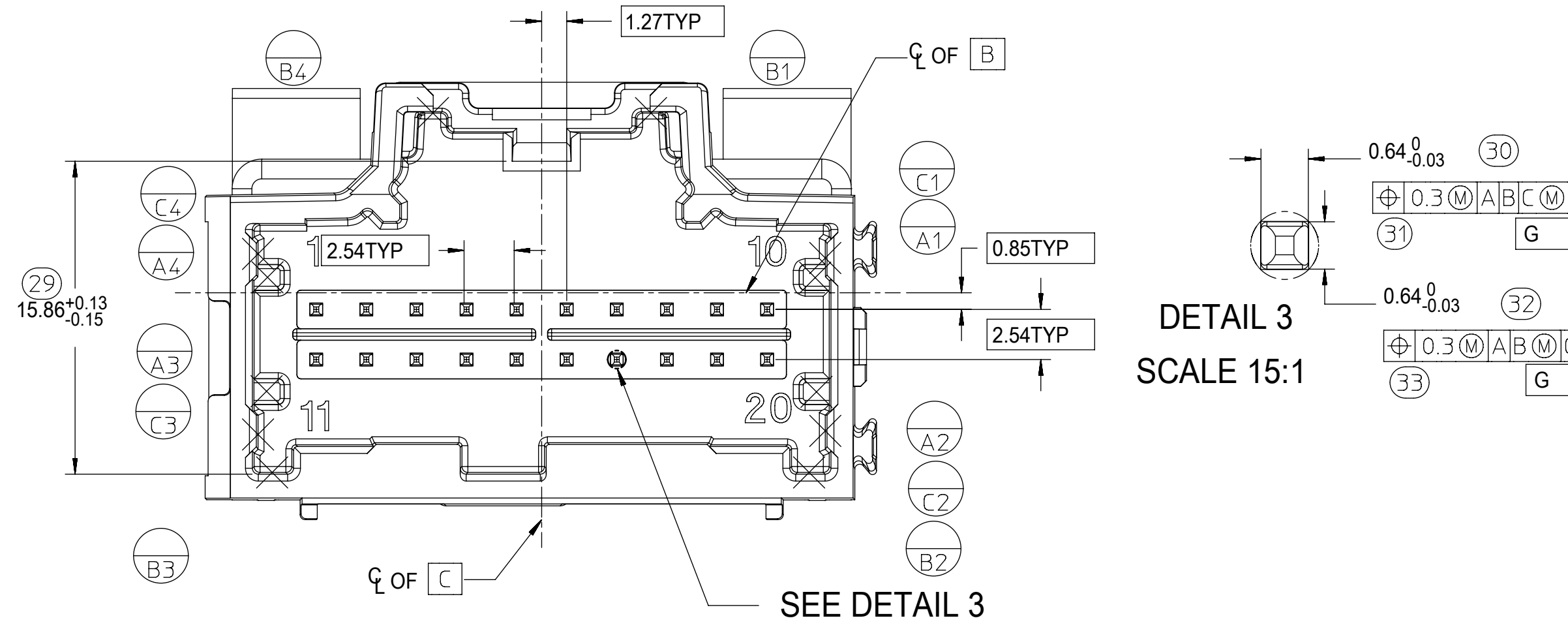
8-20CKT 0.64mm	18.40 MAX
10/14CKT Hybrid	18.59 MAX

SYMBOLS	THIS DRAWING CONTAINS INFORMATION THAT IS PROPRIETARY TO MOLEX ELECTRONIC TECHNOLOGIES, LLC AND SHOULD NOT BE USED WITHOUT WRITTEN PERMISSION		
	DIMENSION UNITS	SCALE	CURRENT REV DESC:
▽ = 0	mm	4:1	molex 3-BAY STAC64 VERTICAL HEADER ASSEMBLY SALES DRAWING PRODUCT CUSTOMER DRAWING
▽ = 0	GENERAL TOLERANCES (UNLESS SPECIFIED)		
▽ = 0	ANGULAR TOL ± 1.0°		
▽ = 0	4 PLACES	±	
▽ = 0	3 PLACES	±	
▽ = 0	2 PLACES	± 0.13	EC NO: 612618 DRWN: SHANDITHAVAL 2019/02/22 CHK'D: RBAUMAN 2019/02/23 APPR: RBAUMAN 2019/02/23
▽ = 0	1 PLACE	± 0.25	INITIAL REVISION: DRWN: JDUNAJ 2009/03/10 APPR: SMARCEAU 2009/03/11
▽ = 0	0 PLACES	±	DOCUMENT NUMBER: SD-34707-300 DOC TYPE: PSD DOC PART: 001 REVISION: K2
▽ = 0	DRAFT WHERE APPLICABLE MUST REMAIN WITHIN DIMENSIONS	THIRD ANGLE PROJECTION	MATERIAL NUMBER: SEE TABLE CUSTOMER: GENERAL MARKET SHEET NUMBER: 2 OF 4
▽ = 0		D-SIZE	SERIES: 34707 DRAWING: D-SIZE SERIES: 34707

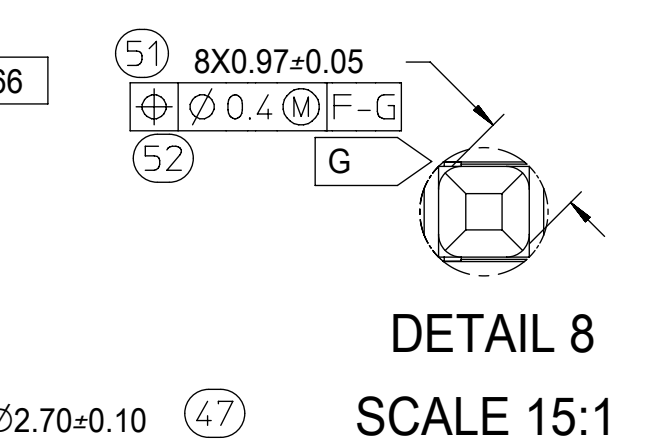
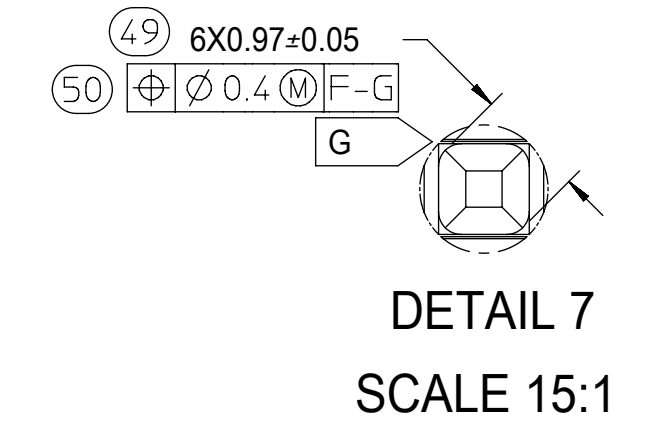
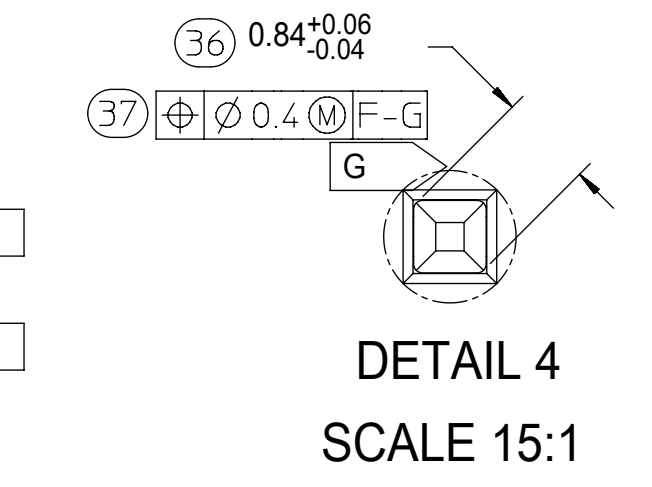
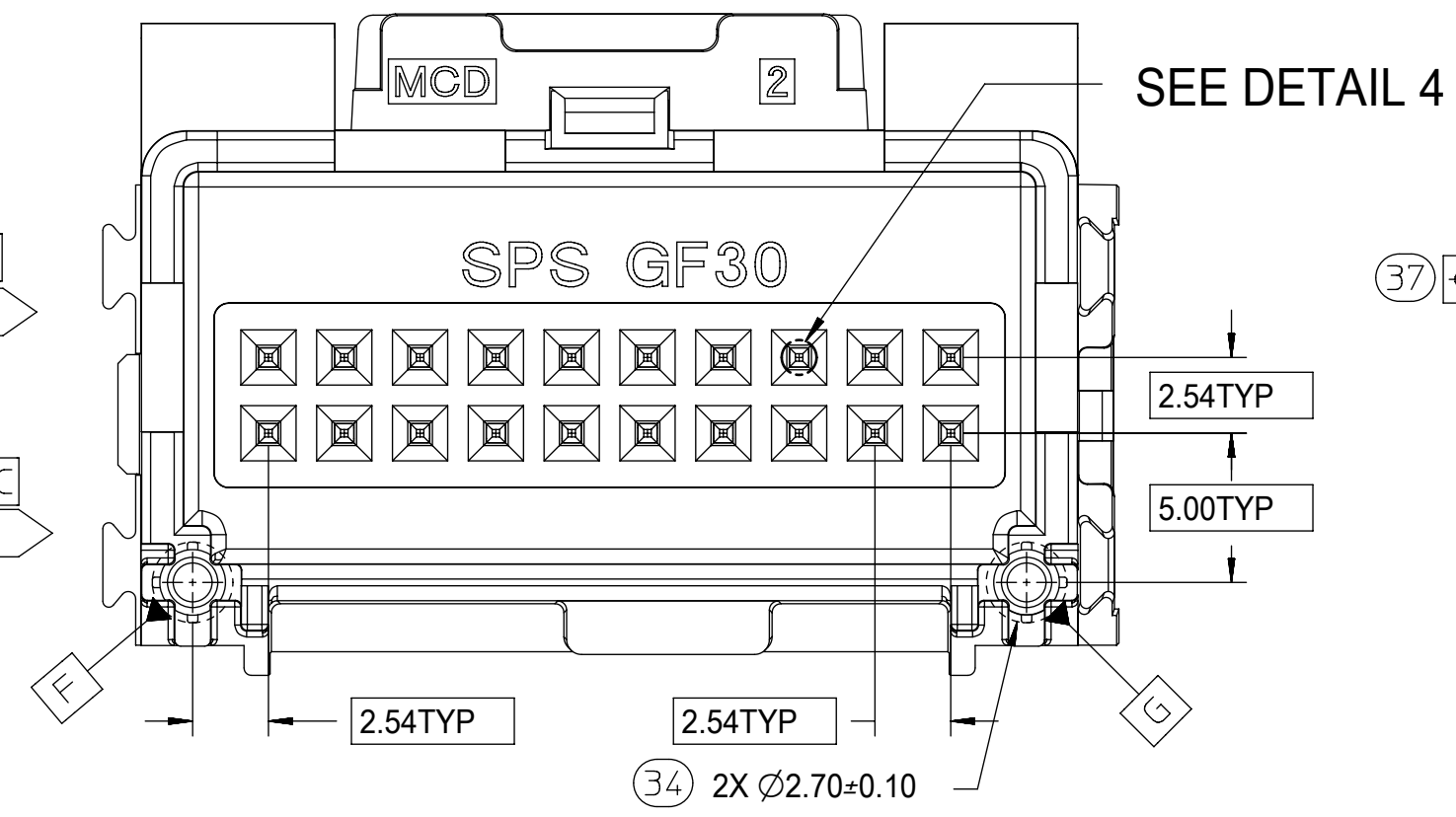
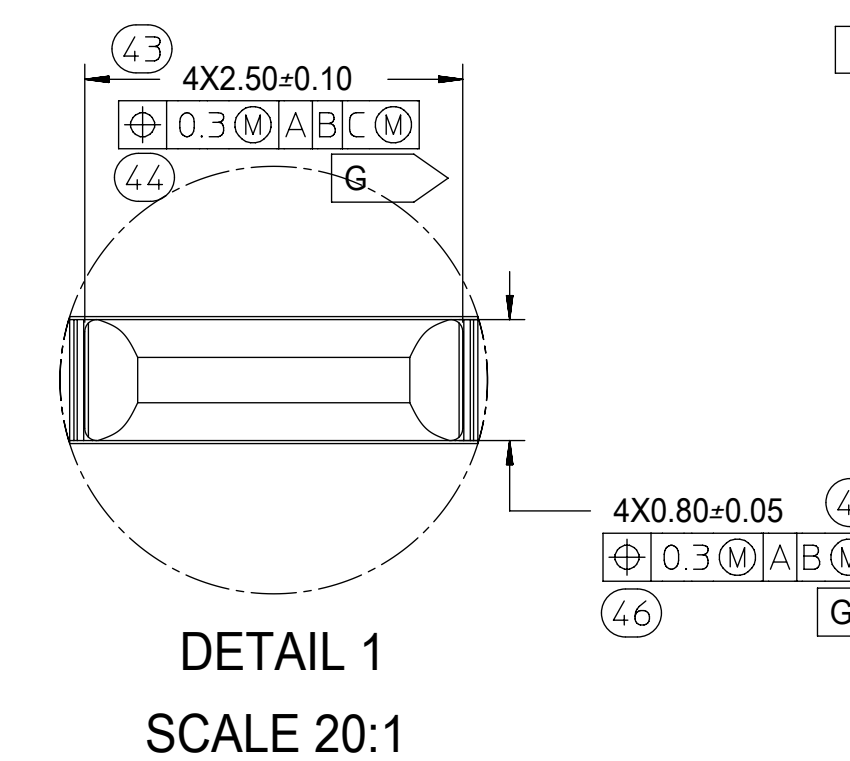
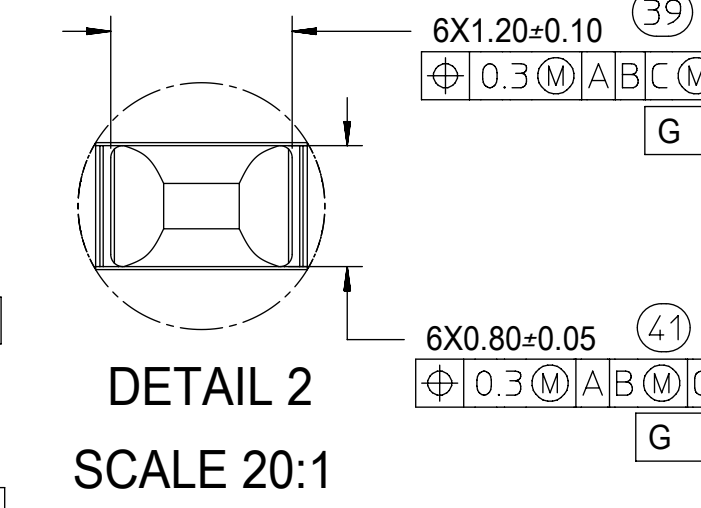
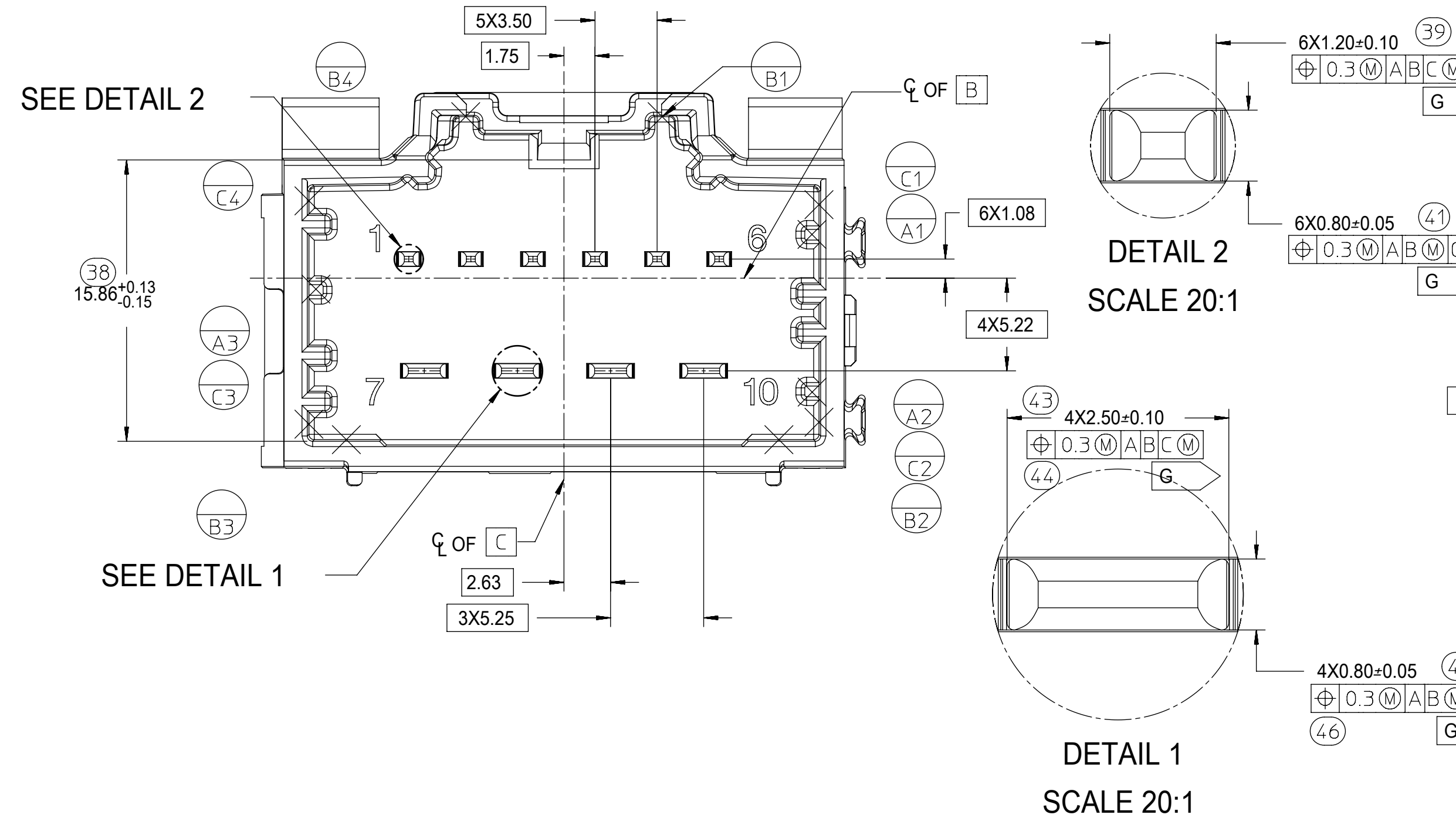
14CKT STAC HYBRID HEADER DETAILS



8-20CKT STAC 0.64mm HEADER DETAILS

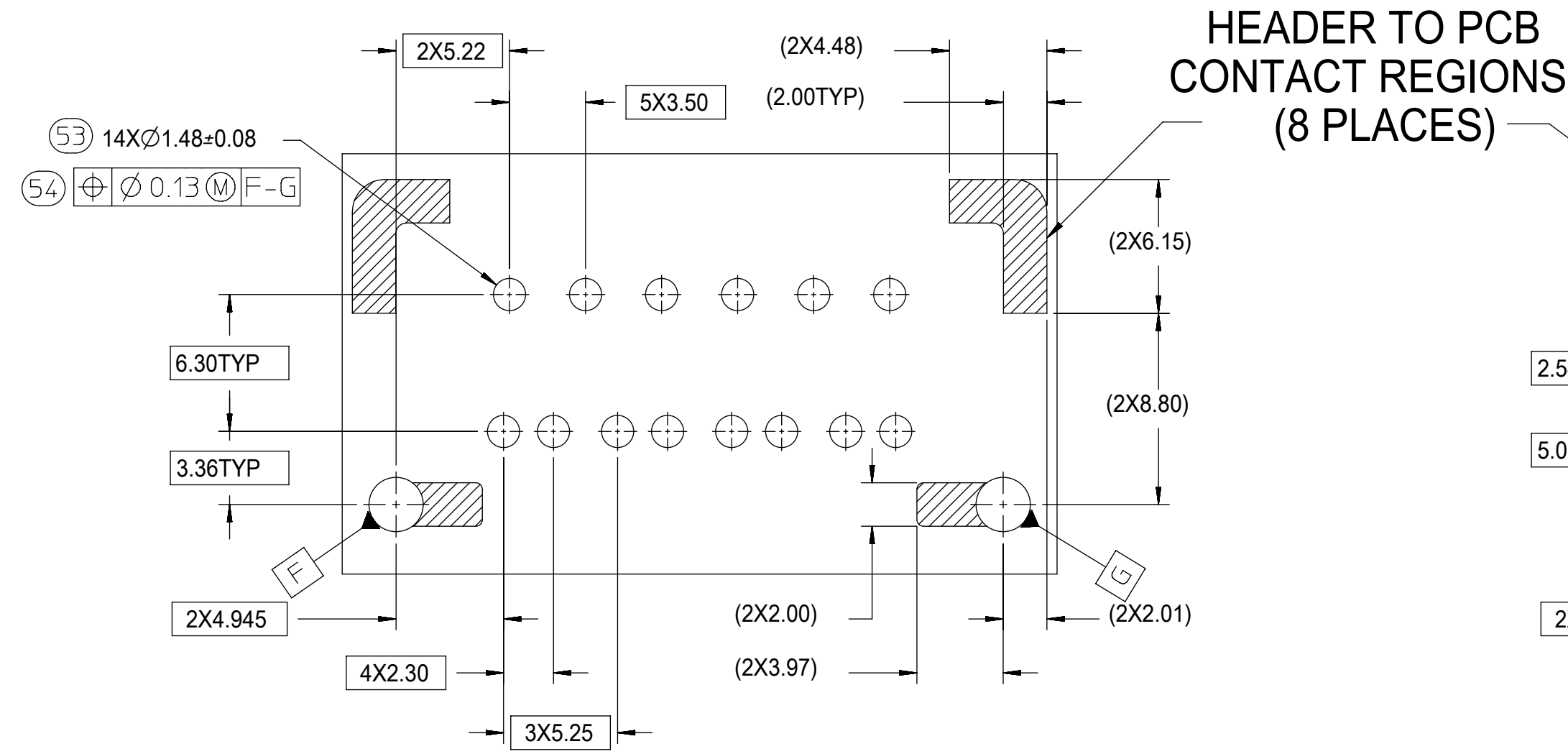


10CKT STAC HYBRID HEADER DETAILS

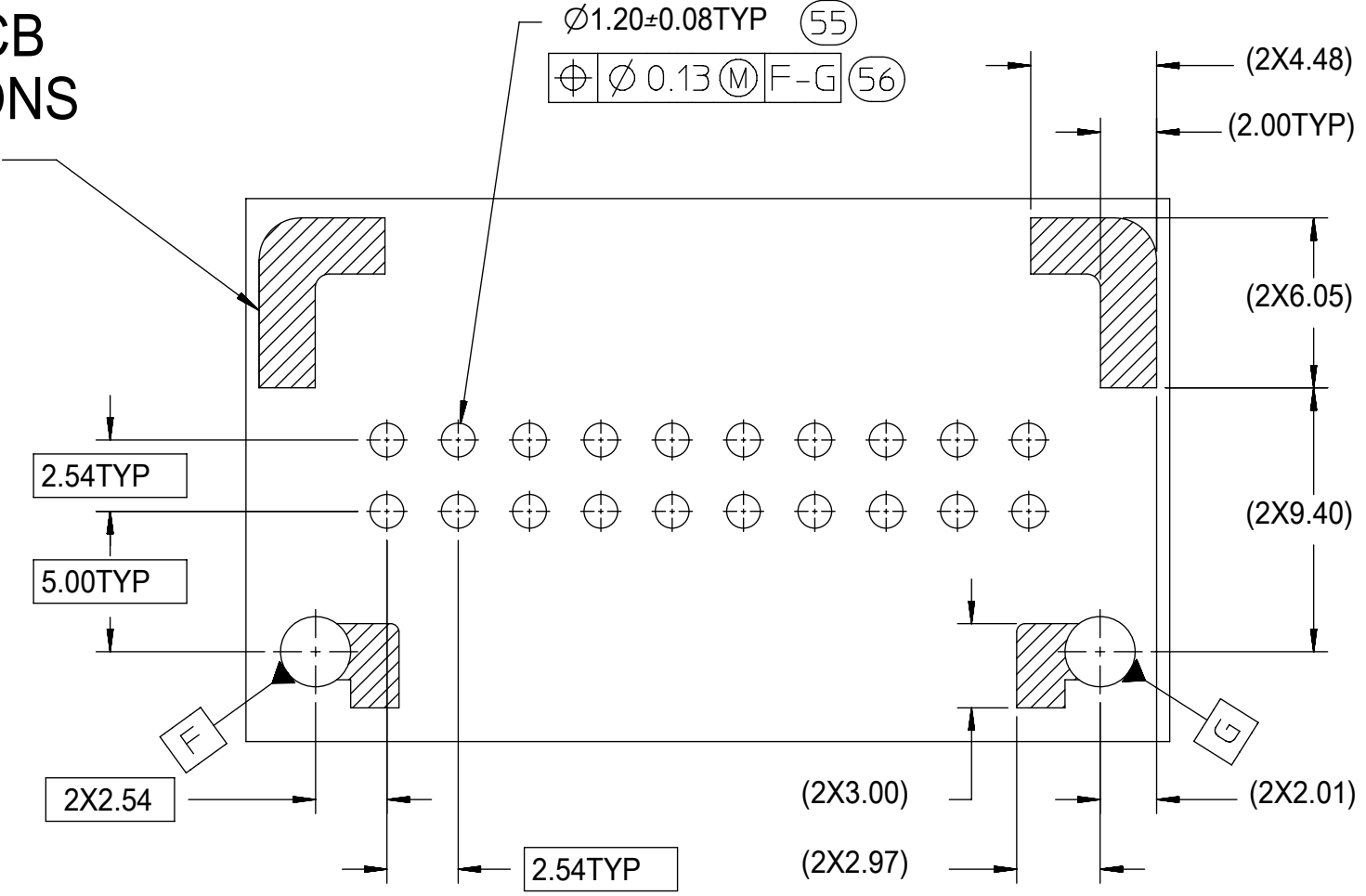


SYMBOLS ▽ = 0 ▽ = 0 ▽ = 0 ▽ = 0 ▽ = 0 ▽ = 0 ▽ = 0 ▽ = 0 ▽ = 0 ▽ = 0 ▽ = 0	THIS DRAWING CONTAINS INFORMATION THAT IS PROPRIETARY TO MOLEX ELECTRONIC TECHNOLOGIES, LLC AND SHOULD NOT BE USED WITHOUT WRITTEN PERMISSION DIMENSION UNITS: mm SCALE: 4:1 CURRENT REV DESC:			 3-BAY STAC64 VERTICAL HEADER ASSEMBLY SALES DRAWING PRODUCT CUSTOMER DRAWING DOCUMENT NUMBER: SD-34707-300 DOC TYPE: PSD DOC PART: 001 REVISION: K2 MATERIAL NUMBER: SEE TABLE CUSTOMER: GENERAL MARKET SHEET NUMBER: 3 OF 4
	GENERAL TOLERANCES (UNLESS SPECIFIED)			
	EC NO: 612618 DRWN: SHANDITHAVAL 2019/02/22 CHK'D: RBAUMAN 2019/02/23 APPR: RBAUMAN 2019/02/23			
	INITIAL REVISION: DRWN: JDUNAJ 2009/03/10 APPR: SMARCEAU 2009/03/11			
DRAFT WHERE APPLICABLE MUST REMAIN WITHIN DIMENSIONS		THIRD ANGLE PROJECTION DRAWING: D-SIZE SERIES: 34707		

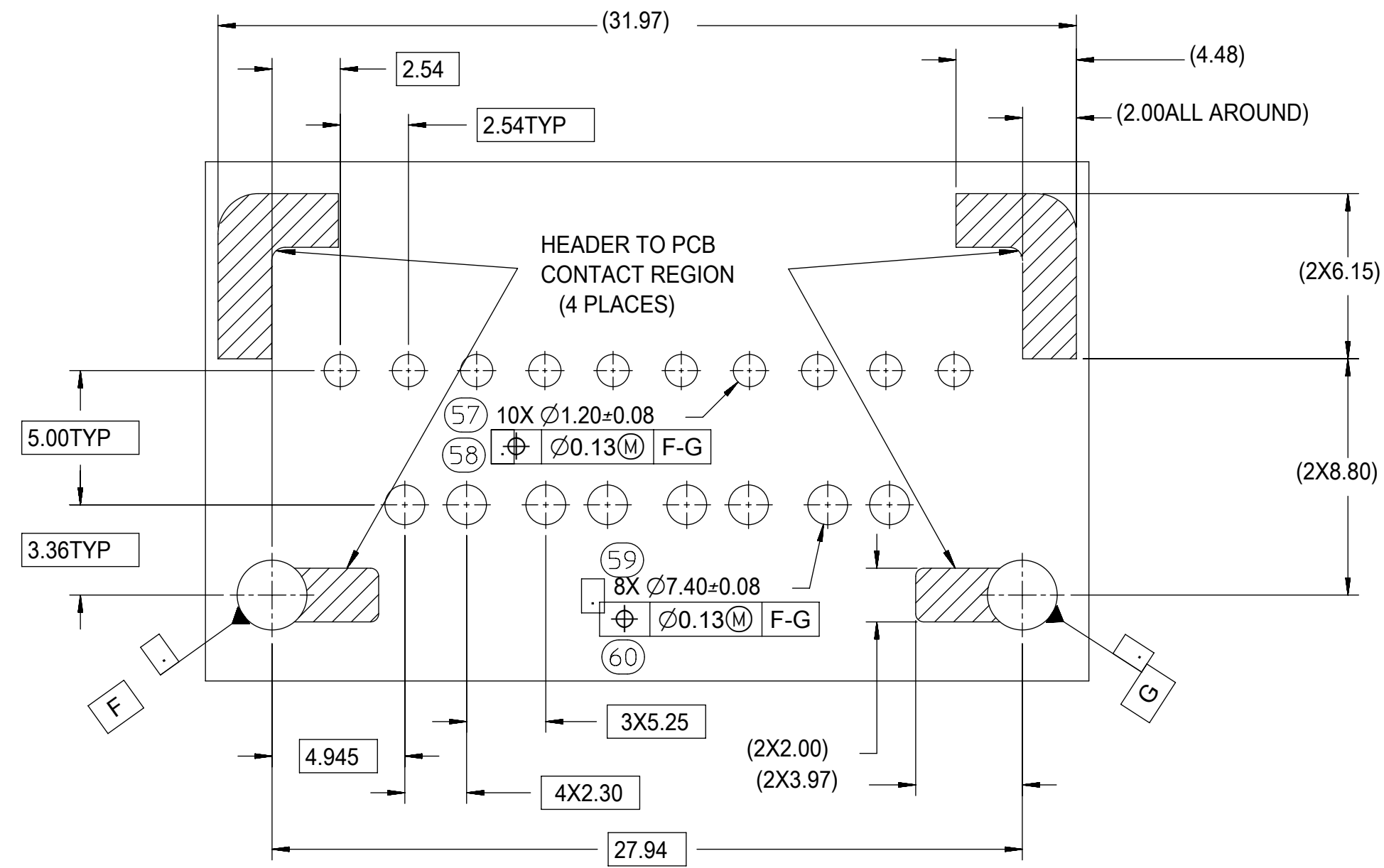
10 CKT HYBRID TEMPLATE
PCB LAYOUT



8-20 CKT 0.64mm TEMPLATE
PCB LAYOUT



14 CKT HYBRID TEMPLATE
PCB LAYOUT

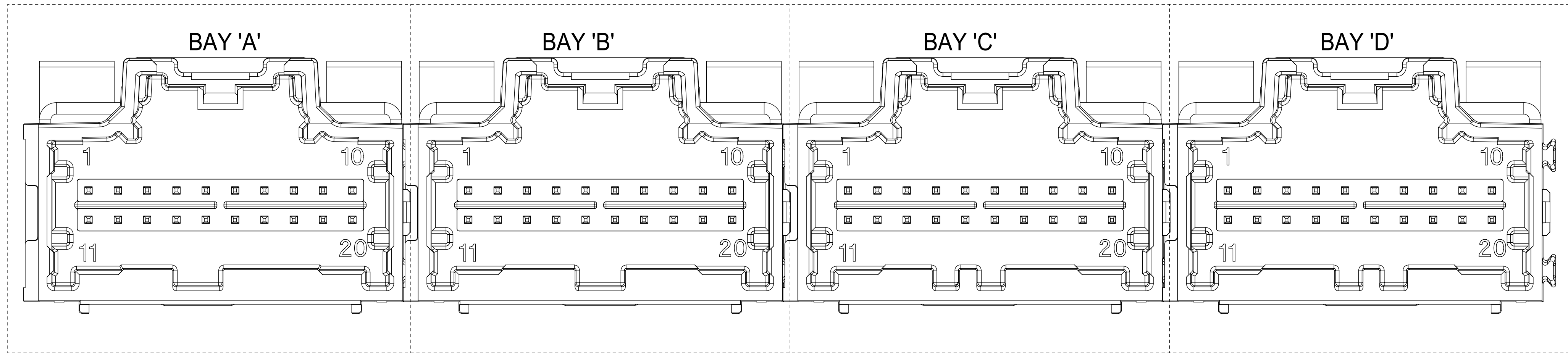


SYMBOLS	THIS DRAWING CONTAINS INFORMATION THAT IS PROPRIETARY TO MOLEX ELECTRONIC TECHNOLOGIES, LLC AND SHOULD NOT BE USED WITHOUT WRITTEN PERMISSION		
	DIMENSION UNITS	SCALE	CURRENT REV DESC:
▽ = 0	mm	4:1	EC NO: 612618 DRWN: SHANDITHAVAL 2019/02/22 CHK'D: RBAUMAN 2019/02/23 APPR: RBAUMAN 2019/02/23 INITIAL REVISION: DRWN: JDUNAJ 2009/03/10 APPR: SMARCEAU 2009/03/11
▽ = 0	GENERAL TOLERANCES (UNLESS SPECIFIED)		
▽ = 0	ANGULAR TOL ± 1.0°		
▽ = 0	4 PLACES ±		
▽ = 0	3 PLACES ±		
▽ = 0	2 PLACES ± 0.13		
▽ = 0	1 PLACE ± 0.25		
▽ = 0	0 PLACES ±		
■ = 0	DRAFT WHERE APPLICABLE MUST REMAIN WITHIN DIMENSIONS		THIRD ANGLE PROJECTION
▽ = 0			DRAWING D-SIZE
		SERIES	34707
DOCUMENT STATUS		DOCUMENT NUMBER	MATERIAL NUMBER
P1	RELEASE DATE	SD-34707-300	SEE TABLE
2019/02/23	23:32:58	DOC TYPE	CUSTOMER
		PSD	GENERAL MARKET
		DOC PART	SHEET NUMBER
		001	4 OF 4
		REVISION	
		K2	

DIMENSIONAL CHART FOR MULTIBAY CONFIGURATION:

PART NUMBER (TUBE PKG)	PART NUMBER (TRAY PKG)	BAY A			BAY B			BAY C			BAY D			DIM 'A'	DIM 'B'	DIM 'C'	DIM 'D'	DIM 'E'	DIM 'F'
		CKT	TYPE	POL	CKT	TYPE	POL	CKT	TYPE	POL	CKT	TYPE	POL						
34707-9000	34707-4000	20	0.64mm	A	20	0.64mm	B	20	0.64mm	C	20	0.64mm	D	132.74	130.27	27.94	27.94	27.94	27.94
TBD	34707-4010	12	0.64mm	A	20	0.64mm	A	8	0.64mm	A	16	0.64mm	A	102.26	99.79	17.78	27.94	12.70	22.86
TBD	34707-4020	20	0.64mm	D	20	0.64mm	C	20	0.64mm	B	20	0.64mm	A	132.74	130.27	27.94	27.94	27.94	27.94

4 BAY STAC64 VERTICAL HEADER ASSEMBLY
(P/N: 34707-4000 SHOWN)



NOTES: VALID UNLESS OTHERWISE SPECIFIED
1. GENERAL:

a. CONNECTOR HEADER MUST BE VALIDATED TO THE FOLLOWING FUNCTIONAL REQUIREMENTS:

PRODUCT SPECIFICATION:
8-20 CKT 0.64mm PRODUCT SPEC: PS-34729-020/PS-31408-100
10/14 CKT HYBRID PRODUCT SPEC: PS-31372-100

b. APPLICATION REQUIREMENTS (REFERENCE ONLY):

APPLICATION SPECIFICATION: AS-34729-020/AS-31408-100

c. PACKAGING SPECIFICATION PER MOLEX DRAWING PK-31300-892 (TRAY)
d. PACKAGING SPECIFICATION PER MOLEX DRAWING PK-31301-063 (TUBE)

2. DESIGN: MATERIALS:

a. SHROUD (PLASTIC HOUSING):
RESIN - SPS 30%GF

b. 0.64mm PINS:
BASE MATERIAL: C26000
PLATING TYPE: AS NOTED

1.50/2.80mm BLADES:
BASE MATERIAL: C19400
PLATING TYPE: AS NOTED

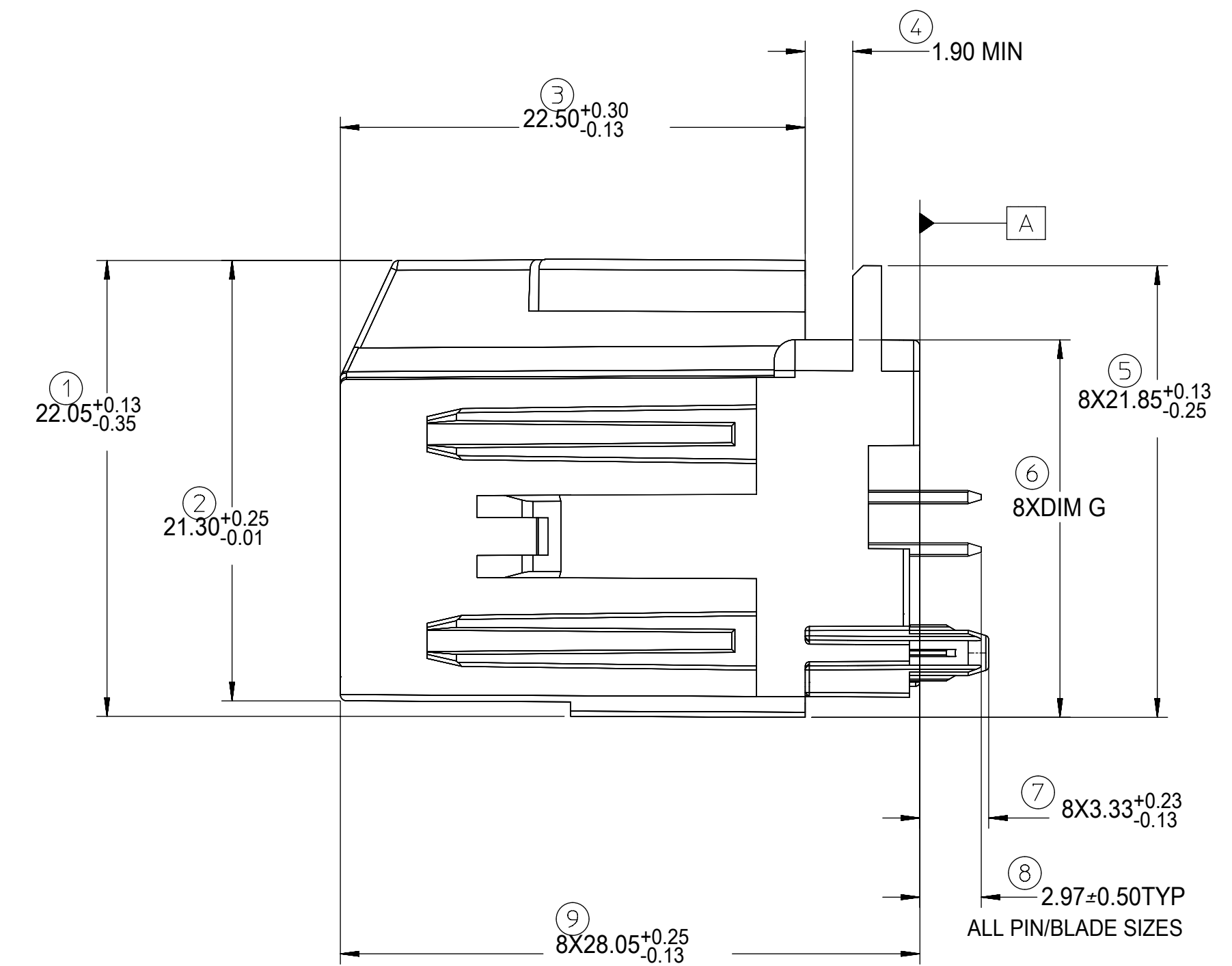
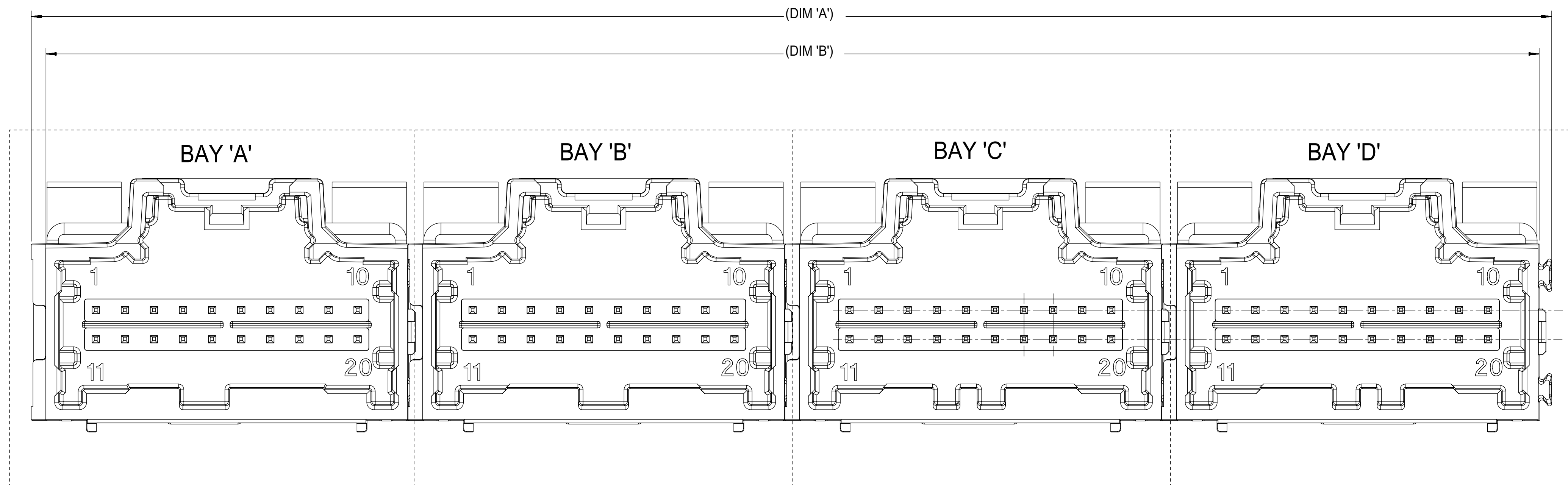
3. PLATING REQUIREMENTS:

a. UNDERPLATING - OVERALL NICKEL

b. OVERPLATING - OVERALL TIN

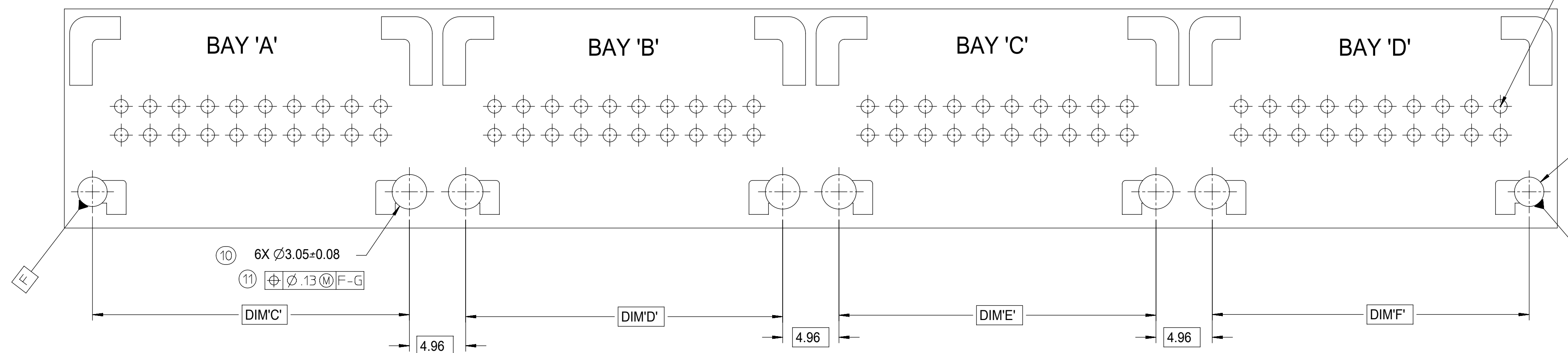
4. FOR DESCRIPTION OF INDIVIDUAL BAYS, REFER TO THE FOLLOWING
SINGLE BAY DRAWINGS:
8-20 CKT 0.64: SD-34690-100
10 CKT HYBRID: SD-34695-100
14 CKT HYBRID: SD-34772-200

SYMBOLS	THIS DRAWING CONTAINS INFORMATION THAT IS PROPRIETARY TO MOLEX ELECTRONIC TECHNOLOGIES, LLC AND SHOULD NOT BE USED WITHOUT WRITTEN PERMISSION		CURRENT REV DESC:		
	DIMENSION UNITS	SCALE			
▽ = 0	mm	4:1			4-BAY STAC64 VERTICAL HEADER ASSEMBLY SALES DRAWING PRODUCT CUSTOMER DRAWING
▽ = 0	GENERAL TOLERANCES (UNLESS SPECIFIED)				
▽ = 0	ANGULAR TOL ± 3.0°		EC NO: 612618		DOCUMENT NUMBER SD-34707-400
▽ = 0	4 PLACES ±		DRWN: SHANDITHAVAL 2019/02/22		
▽ = 0	3 PLACES ±		CHK'D: RBAUMAN 2019/02/23		DOC TYPE DOC PART REVISION PSD 001 D9
▽ = 0	2 PLACES ± 0.13		APPR: RBAUMAN 2019/02/23		
▽ = 0	1 PLACE ± 0.25		INITIAL REVISION:		MATERIAL NUMBER CUSTOMER SHEET NUMBER SEE TABLE GENERAL MARKET 1 OF 4
▽ = 0	0 PLACES ±		DRWN: VDANIELE 2008/11/14		
▽ = 0	DRAFT WHERE APPLICABLE MUST REMAIN WITHIN DIMENSIONS		APPR: SMARCEAU 2008/11/14		
▽ = 0	THIRD ANGLE PROJECTION		DRAWING SERIES		
▽ = 0	D-SIZE		34707		



FOR DIM G:	
8-20CKT 0.64mm	18.40 MAX
10/14CKT Hybrid	18.59 MAX

RECOMMENDED PCB LAYOUT
INSERT NECESSARY BAY'S USING THE CHART ON SHEET 1

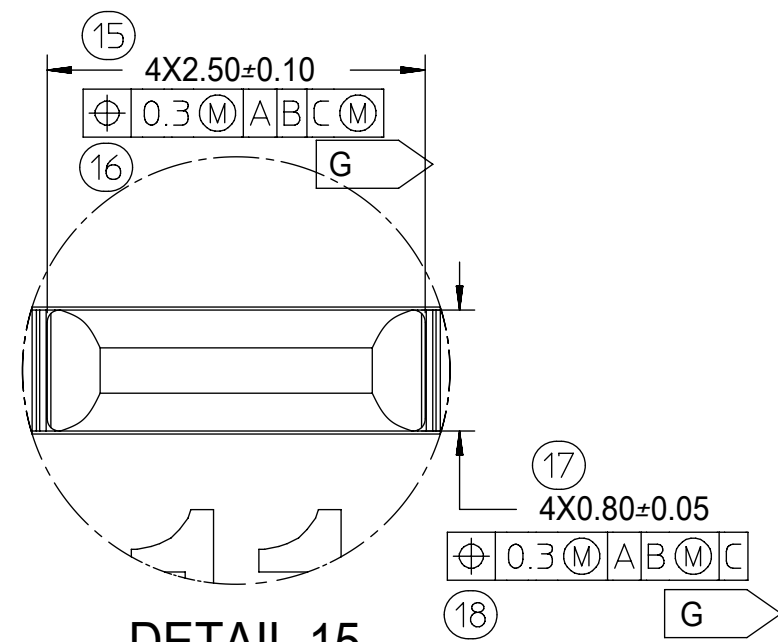
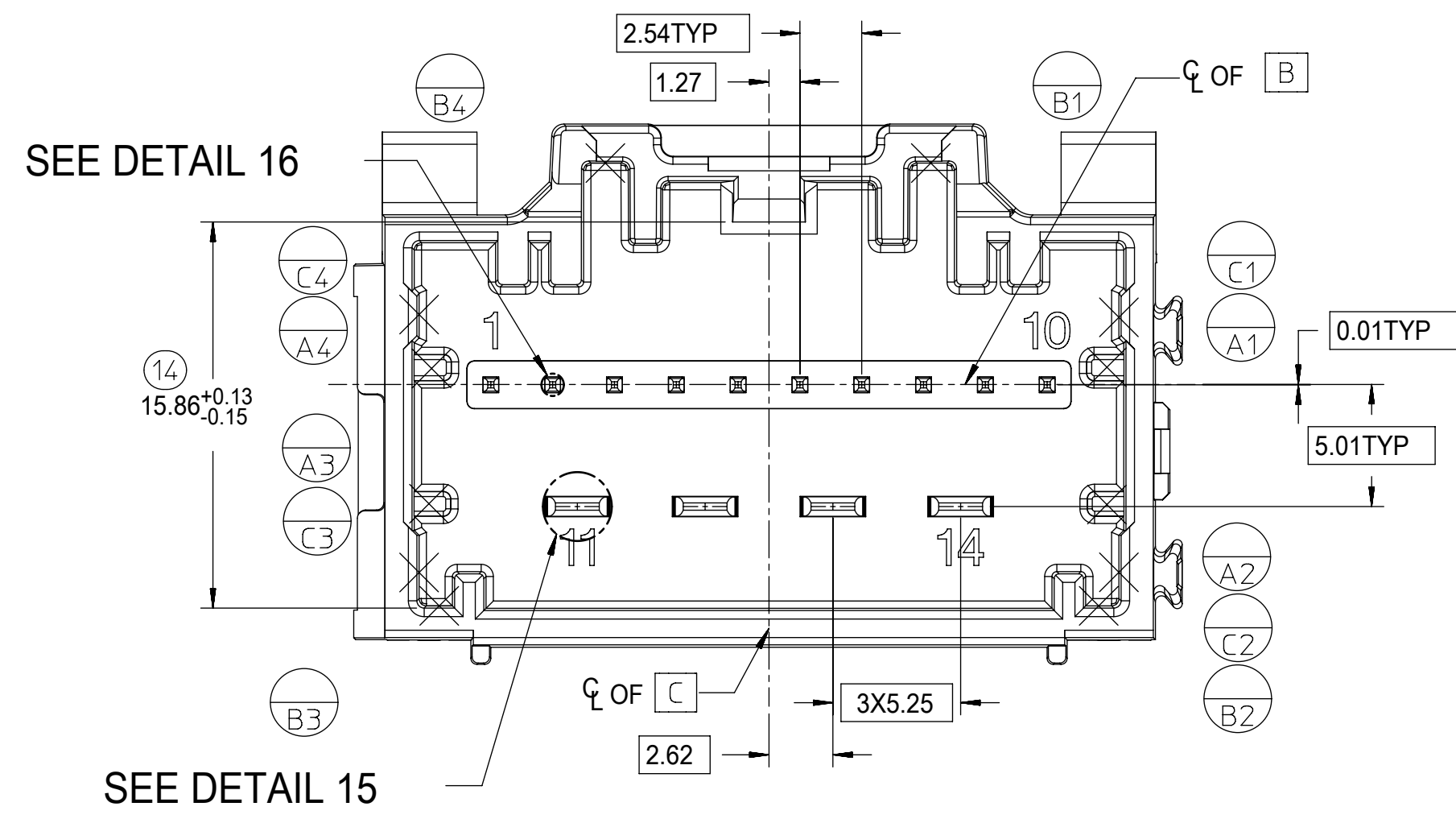


POST HOLE TABLE

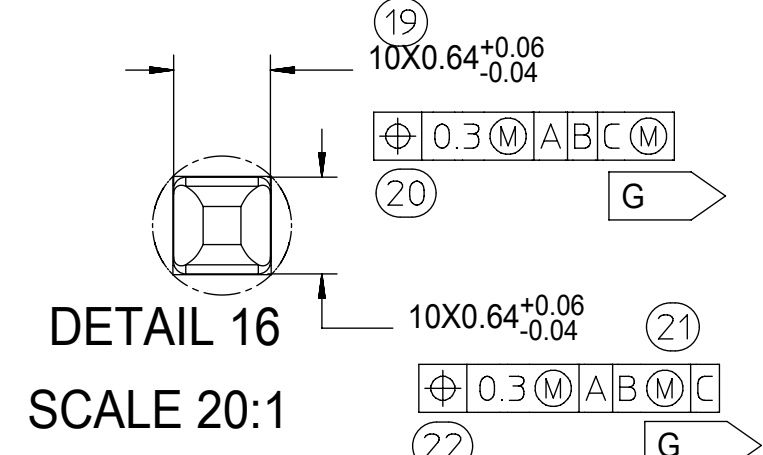
FOR DIM Z:	
PRESS FIT	2.60
DROP IN	3.05

SYMBOLS	THIS DRAWING CONTAINS INFORMATION THAT IS PROPRIETARY TO MOLEX ELECTRONIC TECHNOLOGIES, LLC AND SHOULD NOT BE USED WITHOUT WRITTEN PERMISSION		CURRENT REV DESC:				
	DIMENSION UNITS	SCALE					
▽ = 0	mm	4:1			4-BAY STAC64 VERTICAL HEADER ASSEMBLY SALES DRAWING		
▽ = 0	GENERAL TOLERANCES (UNLESS SPECIFIED)						
▽ = 0	ANGULAR TOL ± 3.0°				PRODUCT CUSTOMER DRAWING		
▽ = 0	4 PLACES ±						
▽ = 0	3 PLACES ±				DOCUMENT NUMBER: SD-34707-400 DOC TYPE: PSD DOC PART: 001 REVISION: D9		
▽ = 0	2 PLACES ± 0.13						
▽ = 0	1 PLACE ± 0.25				MATERIAL NUMBER: SEE TABLE CUSTOMER: GENERAL MARKET SHEET NUMBER: 2 OF 4		
▽ = 0	0 PLACES ±						
▽ = 0	DRAFT WHERE APPLICABLE MUST REMAIN WITHIN DIMENSIONS		THIRD ANGLE PROJECTION		SERIES: D-SIZE 34707		
▽ = 0							

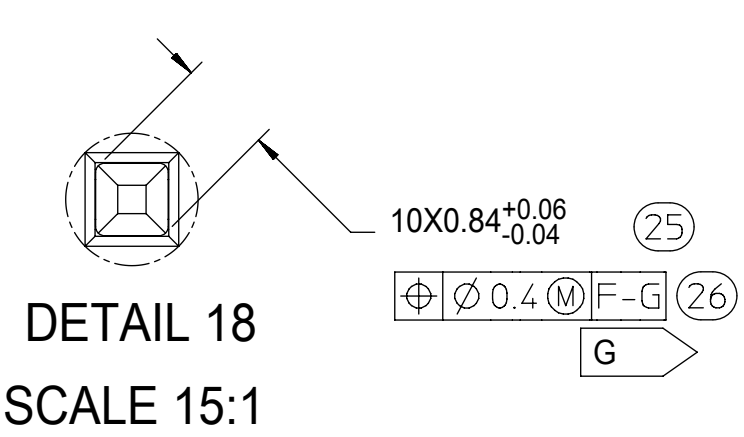
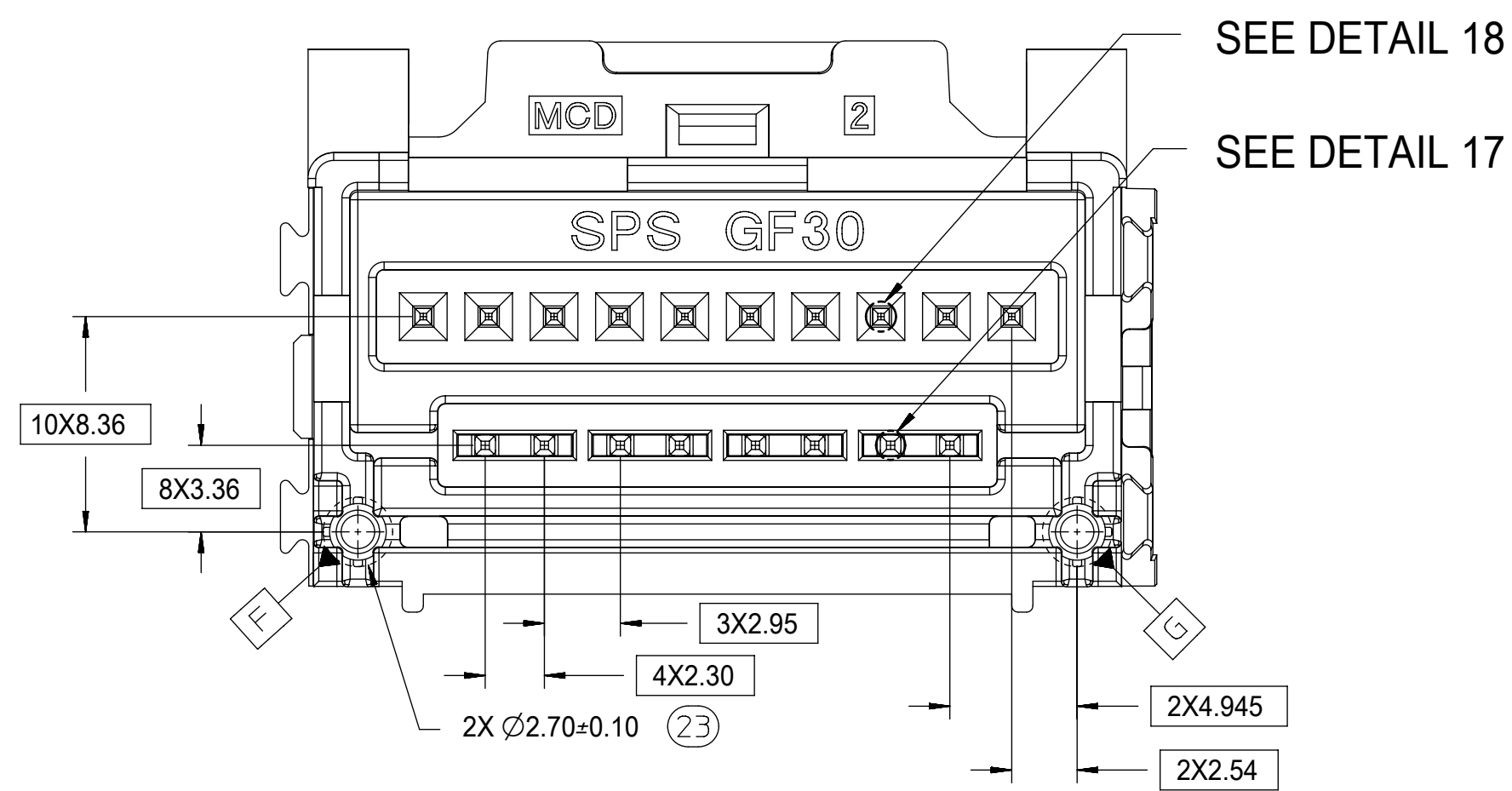
14KCT STAC HYBRID HEADER DETAILS



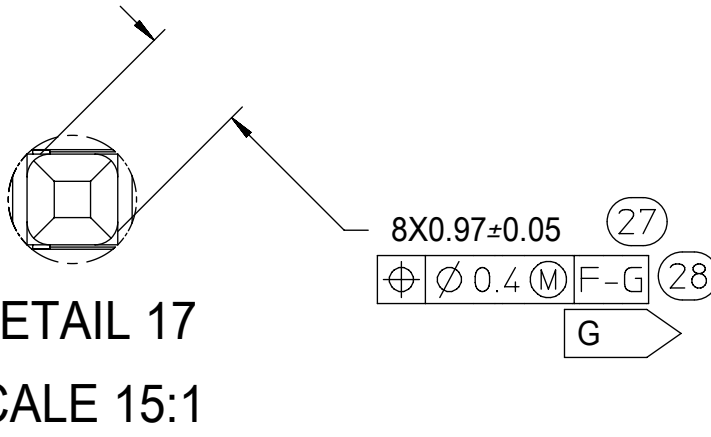
DETAIL 15
SCALE 20:1



DETAIL 16
SCALE 20:1

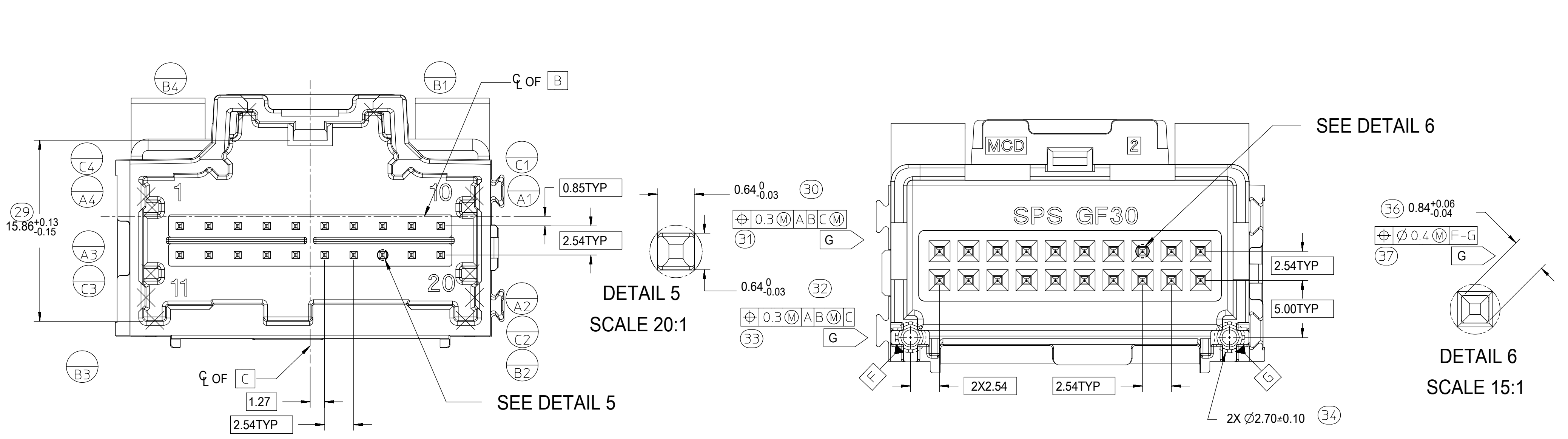


DETAIL 18
SCALE 15:1



DETAIL 17
SCALE 15:1

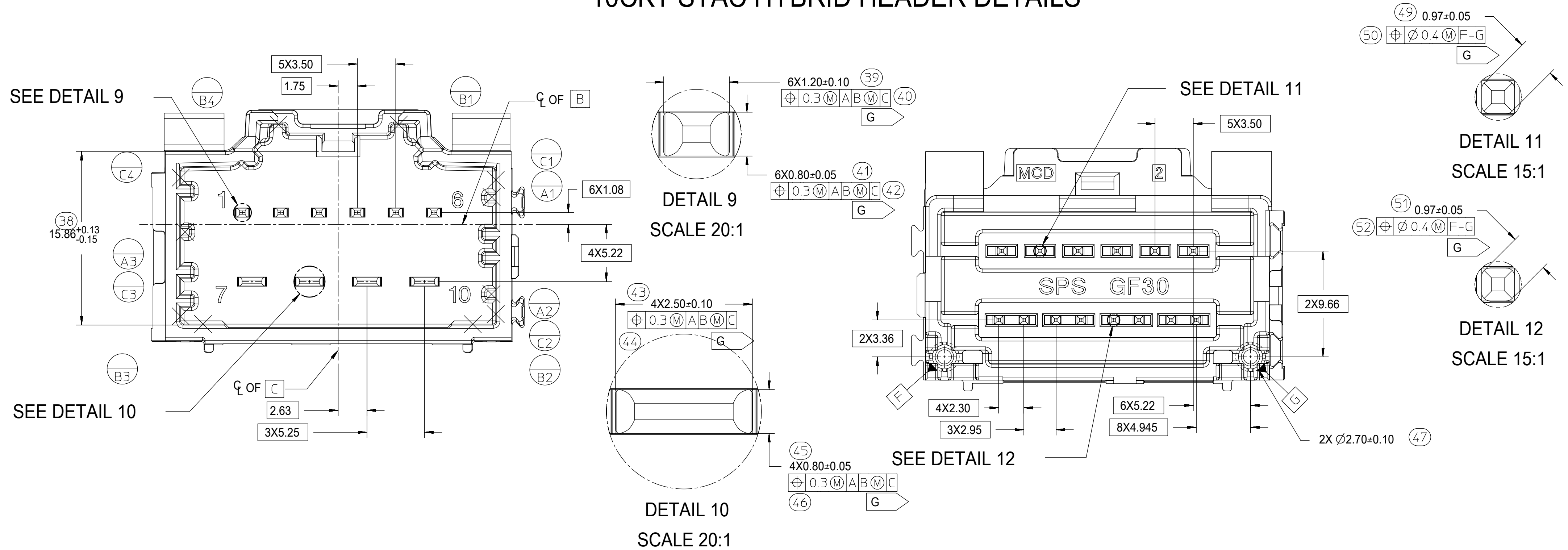
8-20KCT STAC 0.64mm HEADER DETAILS



DETAIL 5
SCALE 20:1

DETAIL 6
SCALE 15:1

10KCT STAC HYBRID HEADER DETAILS



DETAIL 9
SCALE 20:1

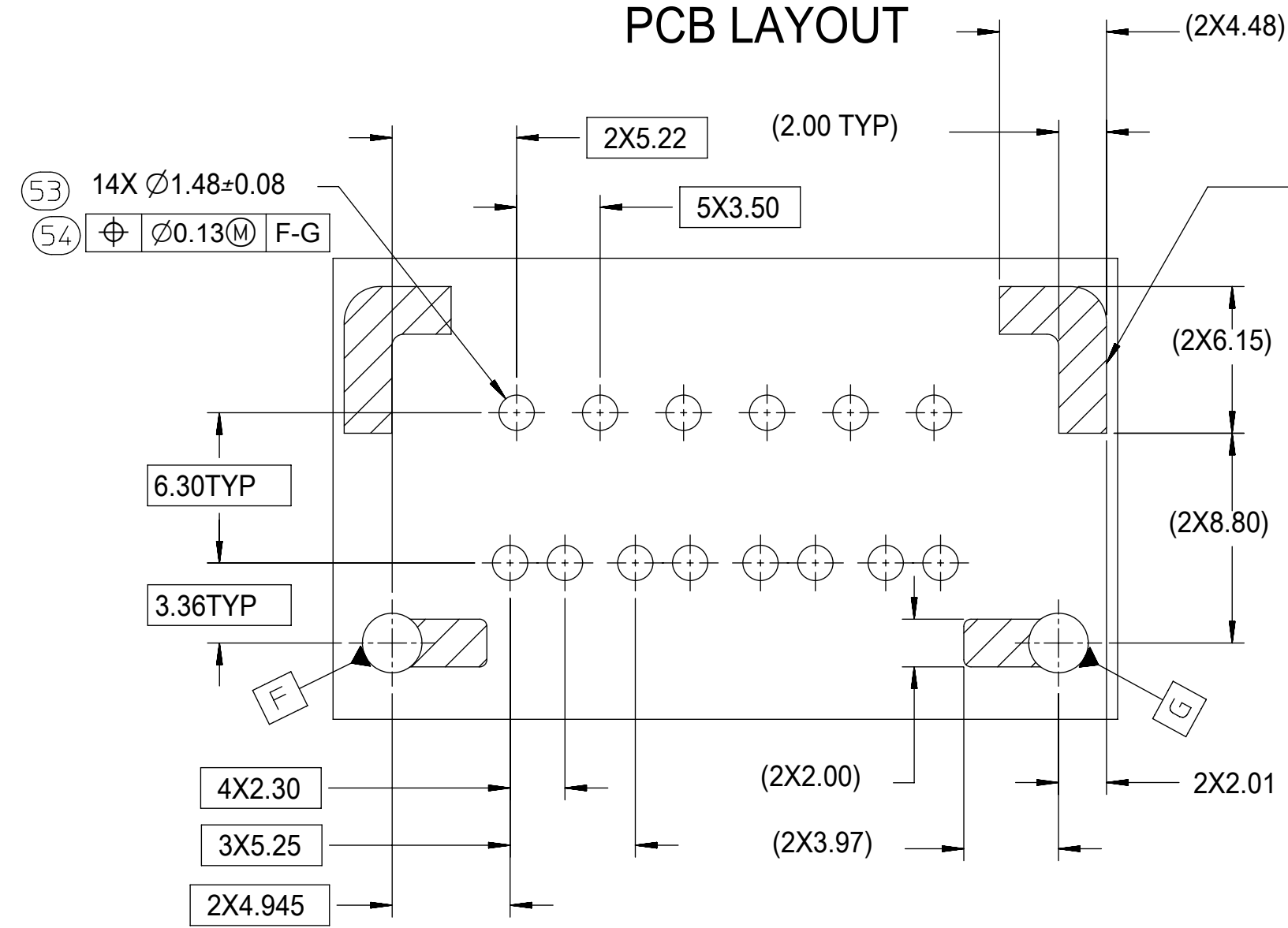
DETAIL 11
SCALE 15:1

DETAIL 10
SCALE 20:1

DETAIL 12
SCALE 15:1

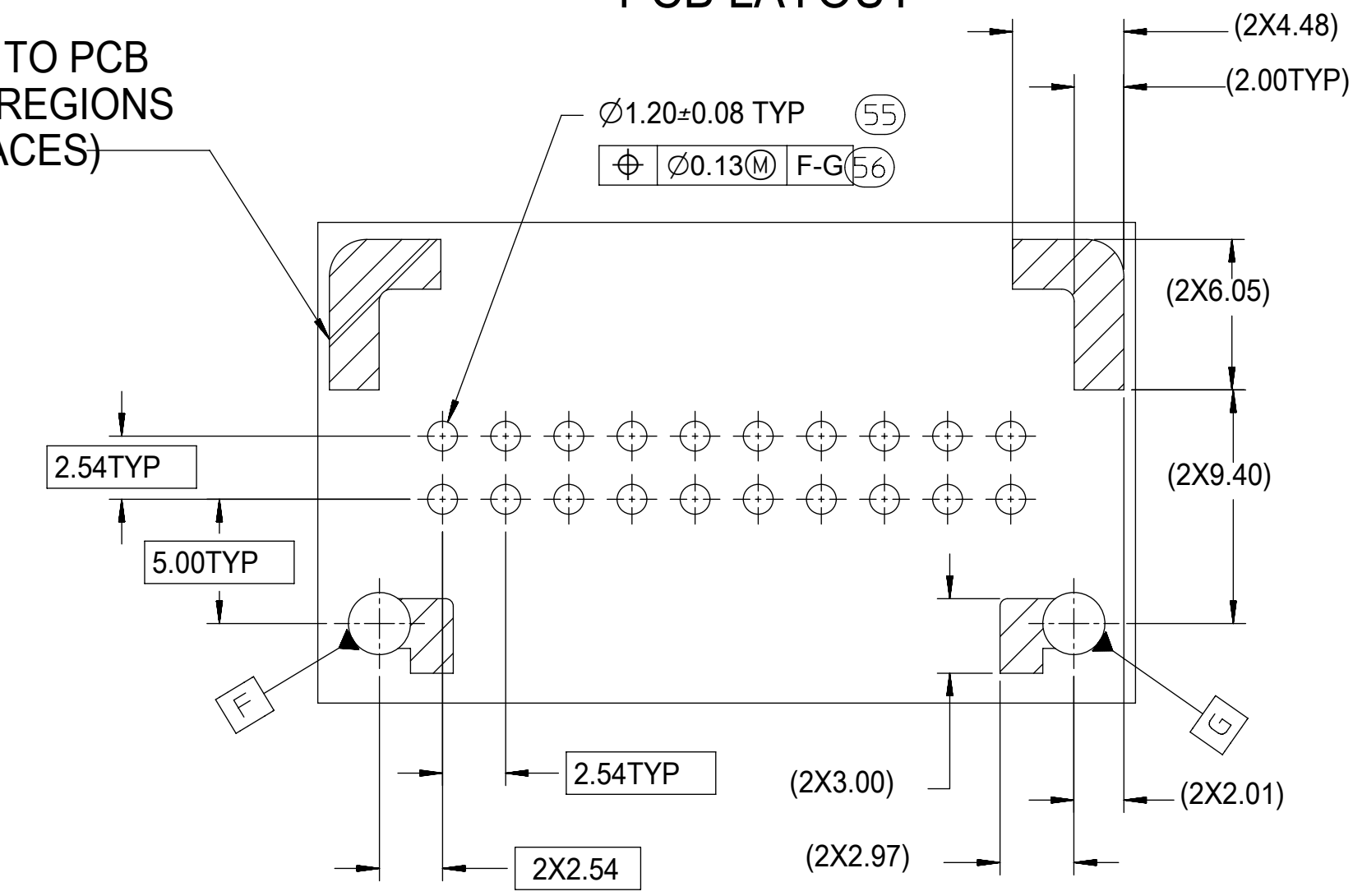
SYMBOLS	THIS DRAWING CONTAINS INFORMATION THAT IS PROPRIETARY TO MOLEX ELECTRONIC TECHNOLOGIES, LLC AND SHOULD NOT BE USED WITHOUT WRITTEN PERMISSION		
	DIMENSION UNITS	SCALE	CURRENT REV DESC:
▽ = 0	mm	4:1	
▽ = 0	GENERAL TOLERANCES (UNLESS SPECIFIED)		
▽ = 0	ANGULAR TOL ± 3.0°		
▽ = 0	4 PLACES	±	EC NO: 612618
▽ = 0	3 PLACES	±	DRWN: SHANDITHAVAL 2019/02/22
▽ = 0	2 PLACES	± 0.13	CHK'D: RBAUMAN 2019/02/23
▽ = 0	1 PLACE	± 0.25	APPR: RBAUMAN 2019/02/23
▽ = 0	0 PLACES	±	INITIAL REVISION:
▽ = 0	DRAFT WHERE APPLICABLE MUST REMAIN WITHIN DIMENSIONS		
▽ = 0	THIRD ANGLE PROJECTION	DRAWING	DRWN: VDANIELE 2008/11/14
▽ = 0	D-SIZE	SERIES	APPR: SMARCEAU 2008/11/14
		34707	
DOCUMENT STATUS		P1	RELEASE DATE
P1		2019/02/23	23:32:59
DOCUMENT NUMBER		DOC TYPE	DOC PART
SD-34707-400		PSD	001
CUSTOMER		REVISION	
GENERAL MARKET		D9	
MATERIAL NUMBER		SHEET NUMBER	
SEE TABLE		3 OF 4	

10 CKT HYBRID TEMPLATE
PCB LAYOUT

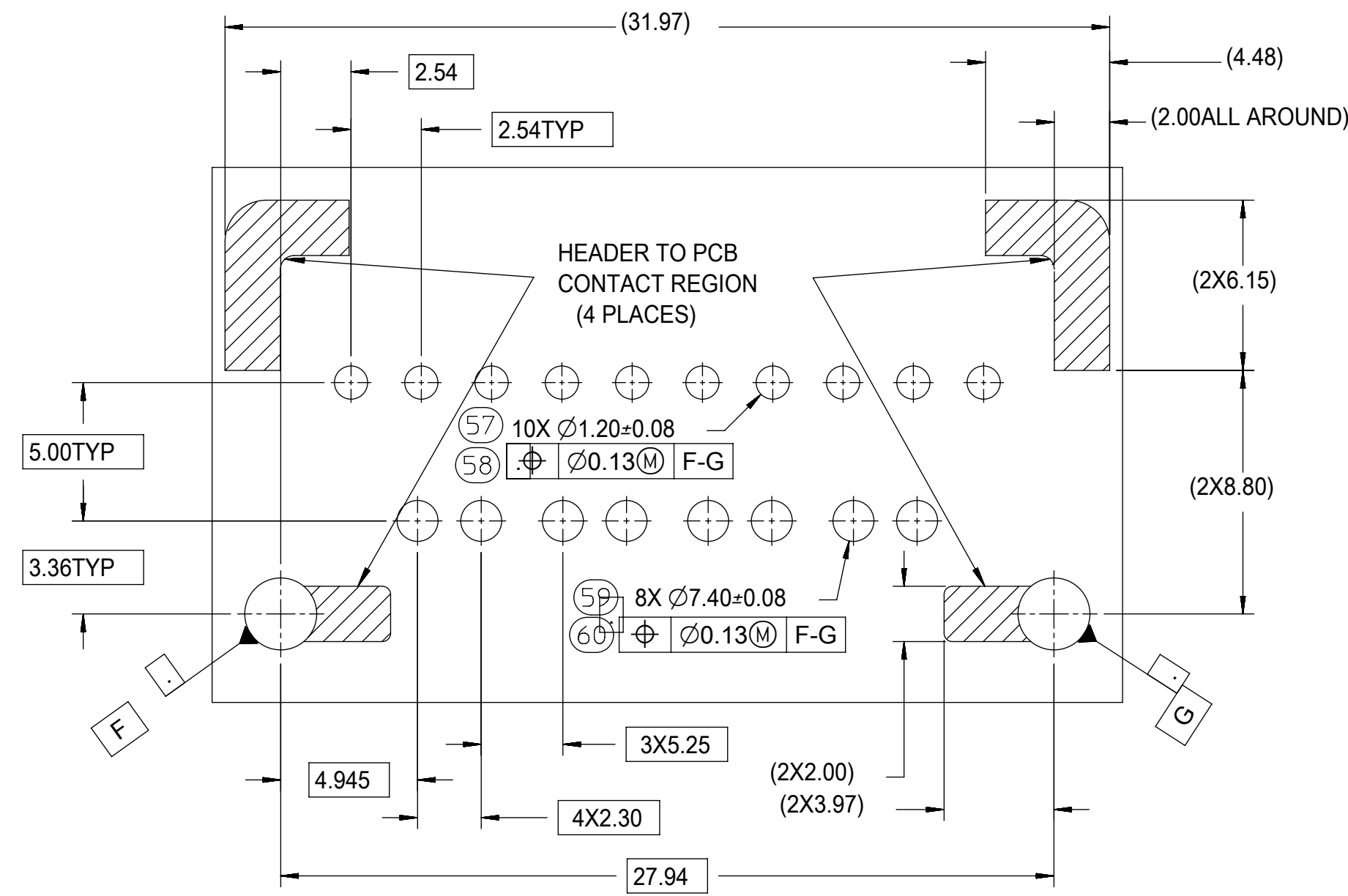


8-20 CKT 0.64mm TEMPLATE
PCB LAYOUT

HEADER TO PCB
CONTACT REGIONS
(8 PLACES)



14 CKT HYBRID TEMPLATE
PCB LAYOUT



SYMBOLS	THIS DRAWING CONTAINS INFORMATION THAT IS PROPRIETARY TO MOLEX ELECTRONIC TECHNOLOGIES, LLC AND SHOULD NOT BE USED WITHOUT WRITTEN PERMISSION		
	DIMENSION UNITS	SCALE	CURRENT REV DESC:
▽ = 0	mm	4:1	<p>molex</p> <p>4-BAY STAC64 VERTICAL HEADER ASSEMBLY SALES DRAWING</p> <p>PRODUCT CUSTOMER DRAWING</p> <p>DOCUMENT NUMBER: SD-34707-400 DOC TYPE: PSD DOC PART: 001 REVISION: D9</p> <p>MATERIAL NUMBER: SEE TABLE CUSTOMER: GENERAL MARKET SHEET NUMBER: 4 OF 4</p>
▽ = 0	GENERAL TOLERANCES (UNLESS SPECIFIED)		
▽ = 0	ANGULAR TOL ± 3.0°		
▽ = 0	4 PLACES ±		
▽ = 0	3 PLACES ±		
▽ = 0	2 PLACES ± 0.13		
▽ = 0	1 PLACE ± 0.25		
▽ = 0	0 PLACES ±		
▽ = 0	DRAFT WHERE APPLICABLE MUST REMAIN WITHIN DIMENSIONS	THIRD ANGLE PROJECTION	<p>EC NO: 612618</p> <p>DRWN: SHANDITHAVAL 2019/02/22</p> <p>CHK'D: RBAUMAN 2019/02/23</p> <p>APPR: RBAUMAN 2019/02/23</p> <p>INITIAL REVISION:</p> <p>DRWN: VDANIELE 2008/11/14</p> <p>APPR: SMARCEAU 2008/11/14</p>
▽ = 0	D-DRAWING	SERIES	<p>D-SIZE 34707</p>