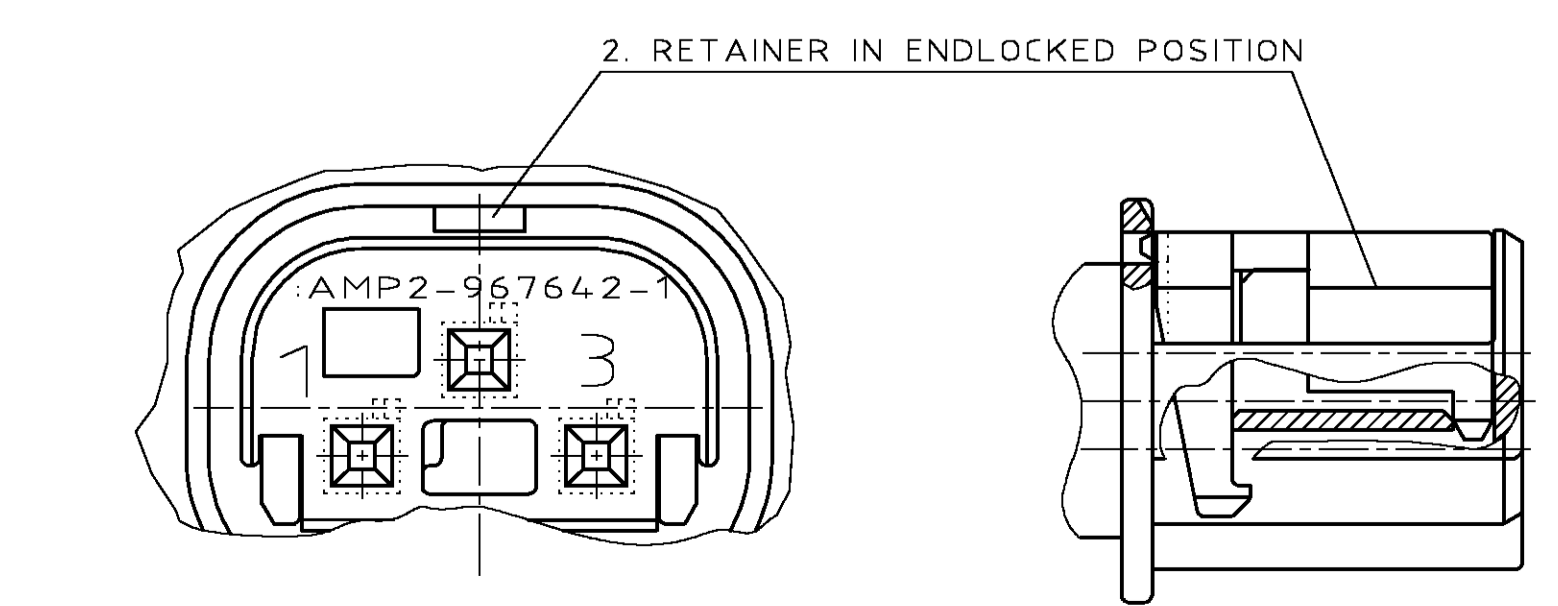
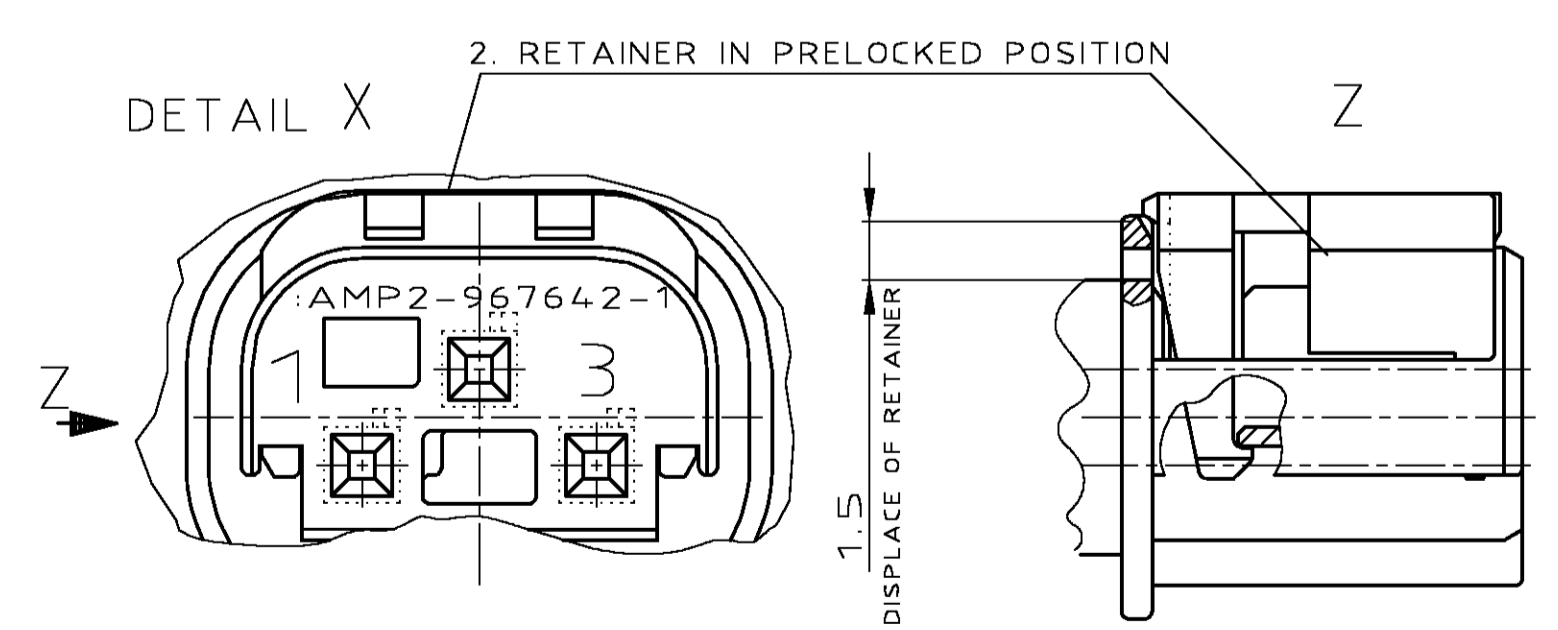
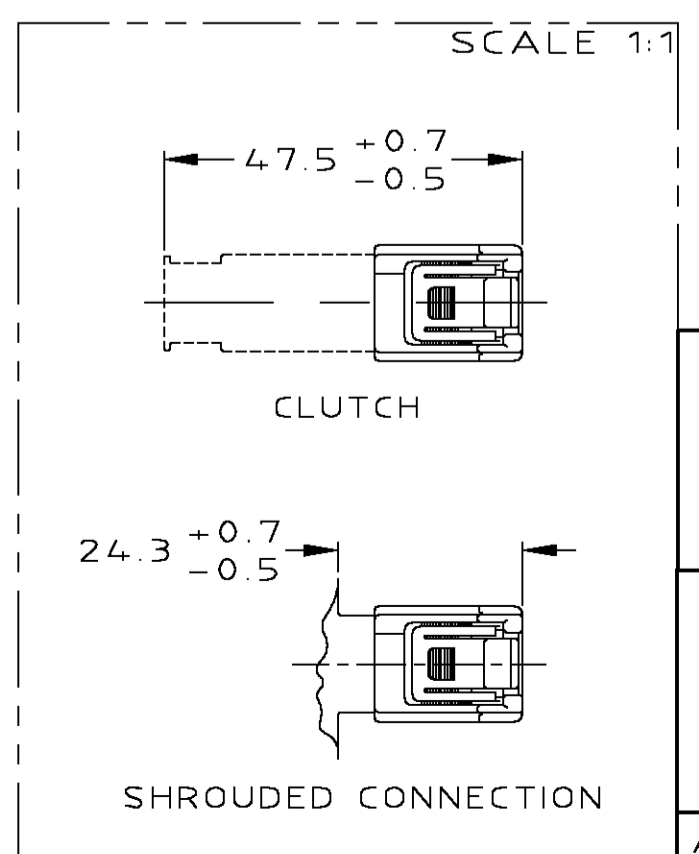


CONDITION ON DELIVERY



- SUITABLE FOR SOCKET CONTACT FOR SINGLE WIRE SEALING : SEE TABLE-1
- SHROUDED CONNECTION DRAWING : 114-18063-13
- SUITABLE FOR WIRE SIZE RANGE : 0.2~0.75mm²
- PRODUCT SPECIFICATION 108-18272.
- INSTRUCTION SHEET NO. 114-18061
- WARPAGE -0.5 PERMITTED



AMP PART NO	CODING	ITEM	PART NAME	AMP PART NO.	MATERIAL	COLOR	QUANTITY
1376235-2	B	④	PROTECTIVE COVER, 3 POS.	1376234-1	PBT-GF10	BLACK	1
		③	SEALING	967080-1	SILICON RUBBER	NATURAL	1
		②	RETAINER	968401-1	PBT-GF15	GREEN	1
		①	SOCKET HSG, 3 POS.	2-968403-1	PBT-GF15	GRAY	1
1376235-1	A	④	PROTECTIVE COVER, 3 POS.	1376234-1	PBT-GF10	BLACK	1
		③	SEALING	967080-1	SILICON RUBBER	NATURAL	1
		②	RETAINER	968401-1	PBT-GF15	GREEN	1
		①	SOCKET HSG, 3 POS.	1-968403-1	PBT-GF15	BLACK	1

THIS DRAWING IS A CONTROLLED DOCUMENT.
 DIMENSIONS: MM
 TOLERANCES UNLESS OTHERWISE SPECIFIED:
 0-PLC ±0.1
 1-PLC ±0.1
 2-PLC ±0.1
 3-PLC ±0.1
 ANGLES ±0.5
 FINISH

TABLE-1

FINISH	APPLICABLE RECEPTACLE AMP P/N	APPLICABLE WIRE RANGE (mm ²)	SINGLE WIRE SEALING
Sn	962885-1	0.2	967067-2
Au	962885-5	0.35	
		0.5	
Sn	965906-1	0.75	967067-1
Au	965906-5		

AMP Tyco Electronics AMP K.K. Kawasaki, Japan

AMP2-967642-1

108-18272

114-18025

3.8 g

A1 00779 C-1376235

SCALE 5:1 SHEET 1 OF 1 REV B