

1

2

3

4

A

A

B

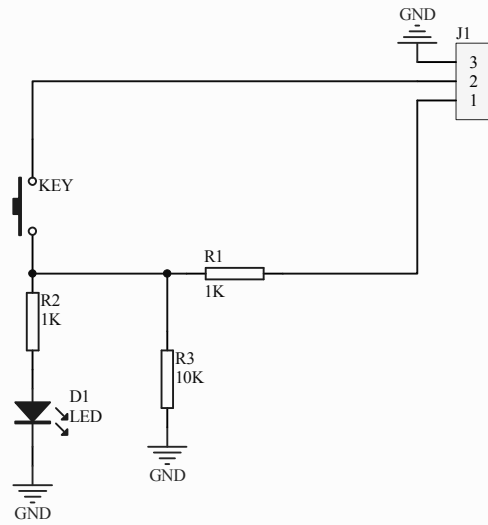
B

C

C

D

D



| | | |
|---------------------|--|----------|
| Title | | |
| Digital Push Button | | |
| Size | Number | Revision |
| A4 | | V2 |
| Date: | 2013-11-1 | Sheet of |
| File: | D:\产品记录\Digital Push Button.SchDoc Drawn By: | |

1

2

3

4