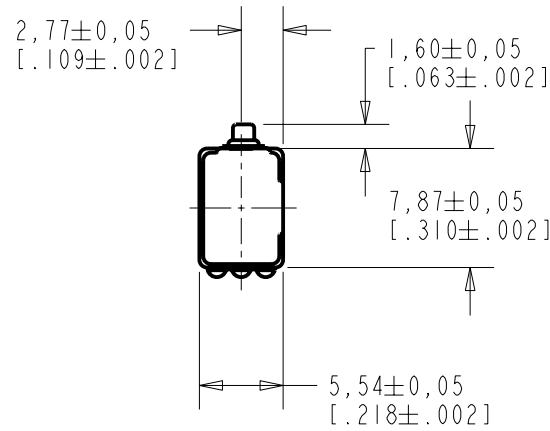

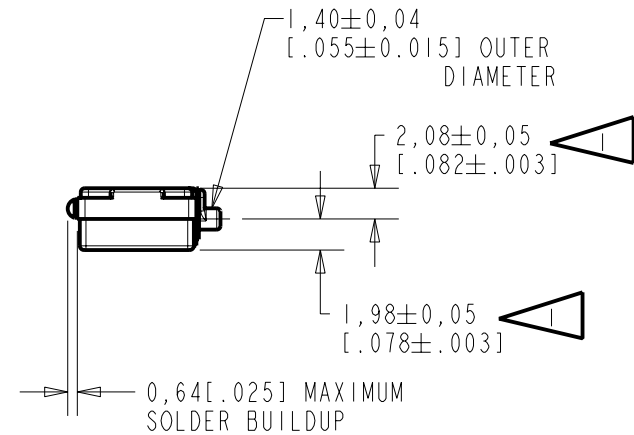
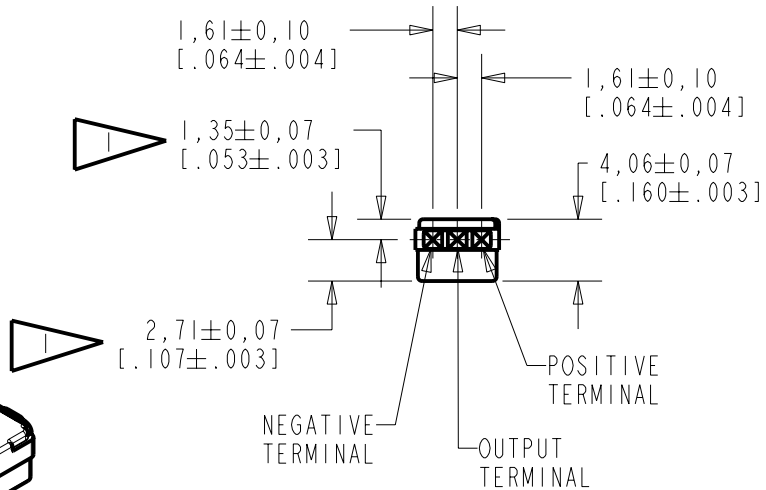


BL-21671-140
SHT 1.1



NOTES:
 LOCATED FROM TWO SURFACES FOR CUSTOMER CONVENIENCE. ONLY APPLICABLE FROM ONE SURFACE, NOT TO BE USED TOGETHER. HORIZONTAL LOCATION FOR TERMINAL CENTERED TO $\pm 0,17$ [.007].



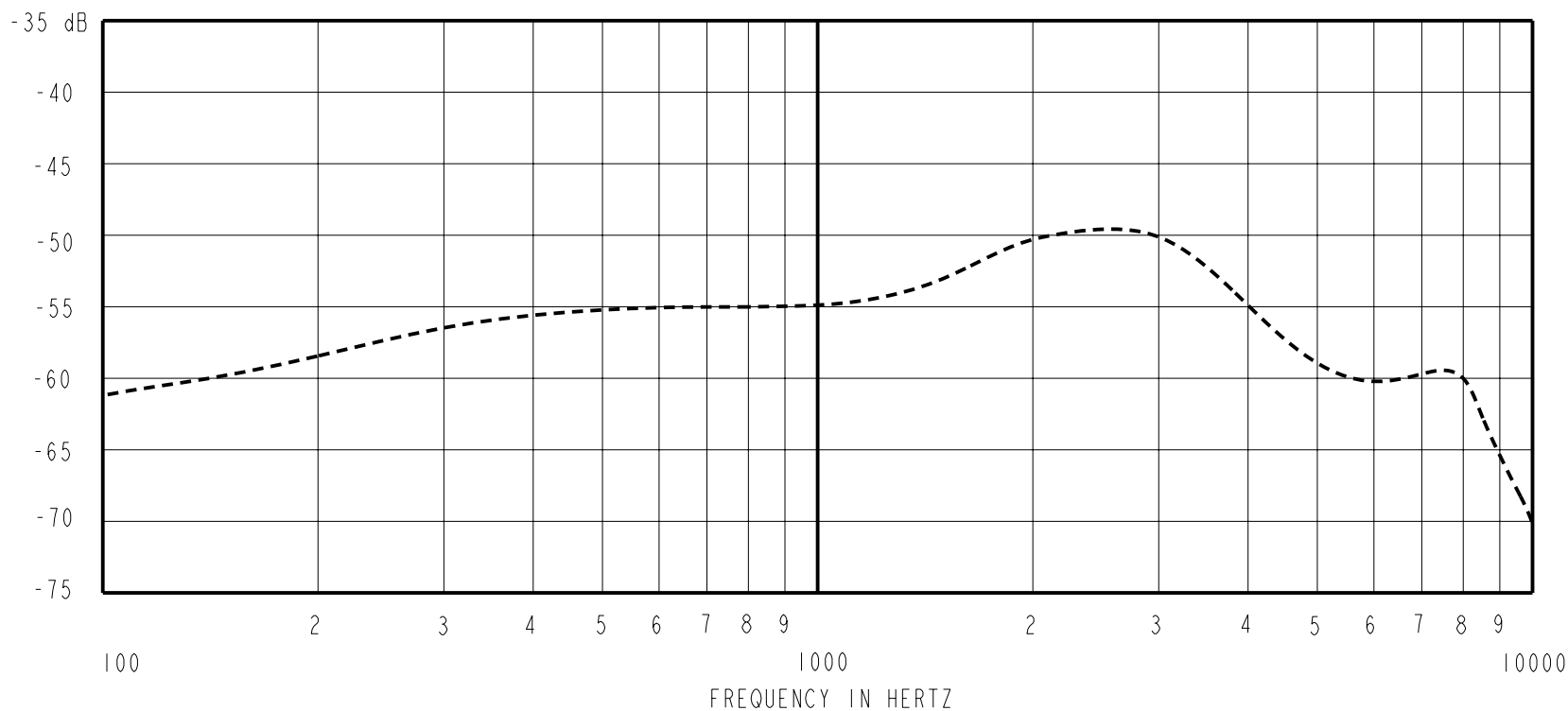
NOMINAL WEIGHT
28.0 GRAMS

DIMENSIONS IN MILLIMETERS [INCHES]

KNOWLES ELECTRONICS
ITASCA, ILLINOIS U.S.A.

| Revision | C.O. # | Implementation Date | RELEASE LEVEL | REVISION |
|----------------------|-----------|---------------------|-----------------|---------------|
| A | MI0101533 | 7-24-07 | Released | A |
| SCALE: 2:1 | | | DR. BY: SDZ | DATE: 7-24-07 |
| DO NOT SCALE DRAWING | | | CK. BY: GJP | DATE: 7-26-07 |
| TITLE: MICROPHONE | | BL-21671-140 | APP. BY: GJP | DATE: 7-26-07 |
| OUTLINE DRAWING | | SHT 1.1 | | |

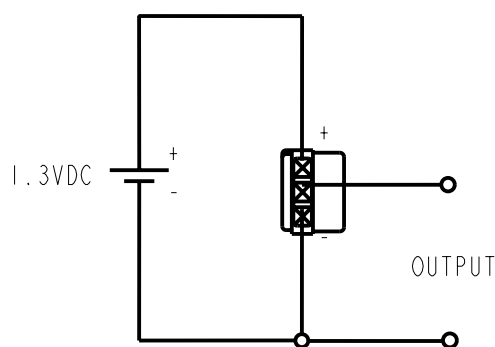
SENSITIVITY IN dB RELATIVE TO 1.0 VOLT/0.1 Pa (N/M²)
FOR CONDITIONS SHOWN BELOW.



| FREQUENCY | SENSITIVITY | | | DEVICE CONFORMITY | |
|-----------|-------------|-------|-------|------------------------------|------|
| | MIN. | NOM. | MAX. | RANGE OF DEVIATION FROM 1KHz | |
| 100 | --- | -61.5 | --- | -10.5 | -4.5 |
| 1000 | -57.5 | -54.5 | -51.5 | 0.0 | 0.0 |
| ≈ 2500 | --- | -49.5 | --- | +2.5 | +7.5 |

NOTES: 1. CASE CONNECTED TO NEGATIVE TERMINAL.

| PORT LOCATION | DC SUPPLY | AMPLIFIER CURRENT DRAIN | SENSITIVITY CHANGE ON REDUCING SUPPLY TO 1.1 VDC | "A" WEIGHTED NOISE (1 kHz EQUIV. SPL) | OUTPUT IMPEDANCE OHMS | | | CAPACITANCE ±50% | |
|---------------|-----------|-------------------------|--|---------------------------------------|-----------------------|-------|-------|------------------|-----|
| | | | | | MIN. | NOM. | MAX. | 1-2 | 1-3 |
| 12S | 1.3V | 50 μA MAX. | 3 dB MAX. | 32.0 dB MAX. | 8000 | 13000 | 22000 | N/A | N/A |



| Revision | C.O. # | Implementation Date | RELEASE LEVEL | REVISION |
|----------|-----------|---------------------|---------------|----------|
| | | | Released | A |
| A | MI0101533 | 7-24-07 | | |

KNOWLES ELECTRONICS
ITASCA, ILLINOIS U.S.A.

WHEN TEST LIMITS ARE USED TO ESTABLISH INCOMING INSPECTION ACCEPTANCE/REJECTION CRITERIA, CORRELATION OF TEST EQUIPMENT WITH KNOWLES IS ALSO REQUIRED FOR ELIMINATION OF EQUIPMENT AND TEST METHOD VARIATION

TITLE: **MICROPHONE**
PERFORMANCE SPECIFICATION

BL-21671-140
SHT 2.1

| DR. BY | DATE |
|---------|---------|
| SDZ | 7-24-07 |
| CK. BY | DATE |
| GJP | 7-26-07 |
| APP. BY | DATE |
| GJP | 7-26-07 |