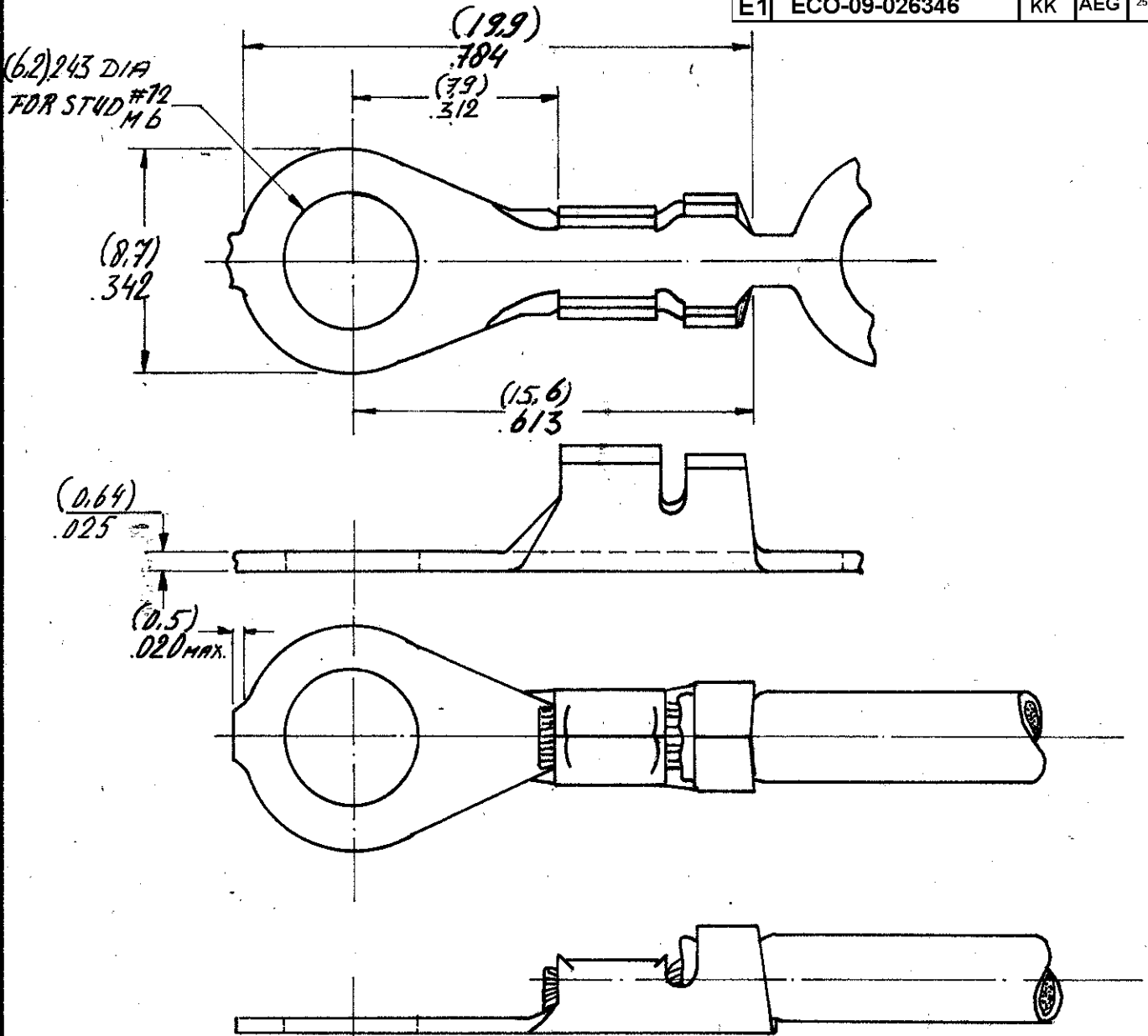


DRAWING MADE IN AMERICAN PROJECTION

LTR.	REVISION RECORD	DR.	CHK.	DATE
E1	ECO-09-026346	KK	AEG	25NOV09

NUMBER C-160108



- 1 FOR USE ON STANDARD AND MINIATURE APPLICATORS
- 2 FOR USE ON MINIATURE APPLICATORS (AMP-O-MATOR APPLICATION)
- 3 REELED WITH PAPER
- 4 OBSOLETE PARTS: OBSOLETE CIS STREAMLINING PER D.RENAUD/D.SINISI

**CUSTOMER COPY FOR REFERENCE ONLY**

©1980 BY AMP-HOLLAND N.V. ALL RIGHTS RESERVED A-MP PRODUCTS COVERED BY PATENTS AND/OR PATENTS PENDING.



AMP - HOLLAND B.V.  
's-Hertogenbosch

WIRE-RANGE 20-16AWG (0.5-1.5mm <sup>2</sup> )	INSUL-RANGE 080-120DIA (2.0-3.0)	FIRST USED
---	--	------------

ORDER NO.	MATERIAL	PLATING	SCALE N.T.S.	SIZE A	NO C-160108	REV E1
-----------	----------	---------	-----------------	-----------	----------------	-----------

NAME RING TONGUE WITH INS. SUPPORT

DIMENSIONS IN (MM) DO NOT SCALE PRINT

160108-5	BRASS		
160108-4	STEEL	NICKEL PLATED	
160108-2	BRASS	TIN	
160108-1	BRASS		

DR V. SUSTESEN	DATE 11-80	DE	DATE
CHK [Signature]	DATE 20.1.80	APP [Signature]	DATE 20.1.80