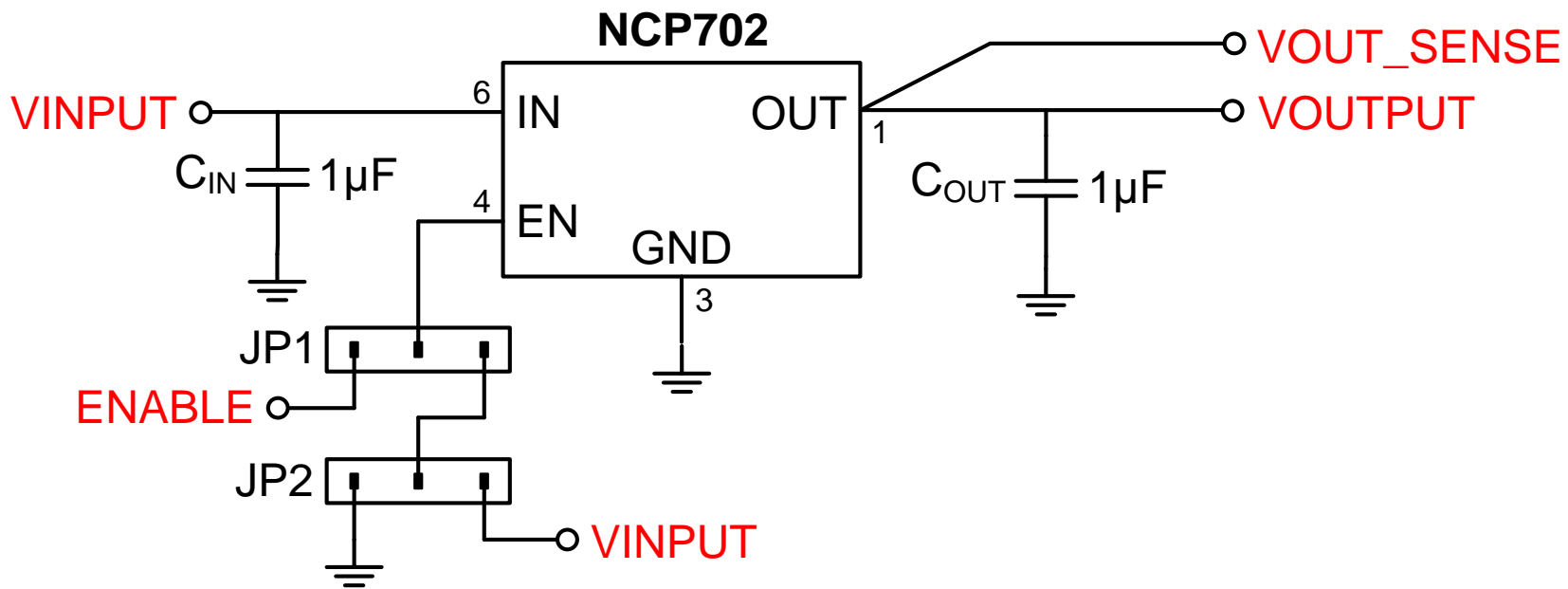


### Schematic for the NCP702MX30TCGEVB Evaluation Board



NCP702, 200mA, Ultra-Low Noise LDO Schematic