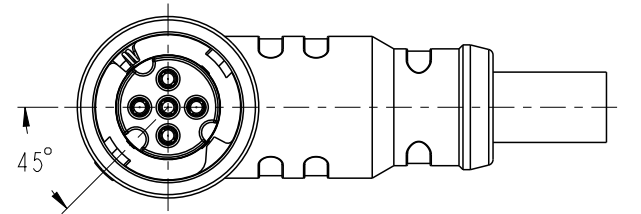
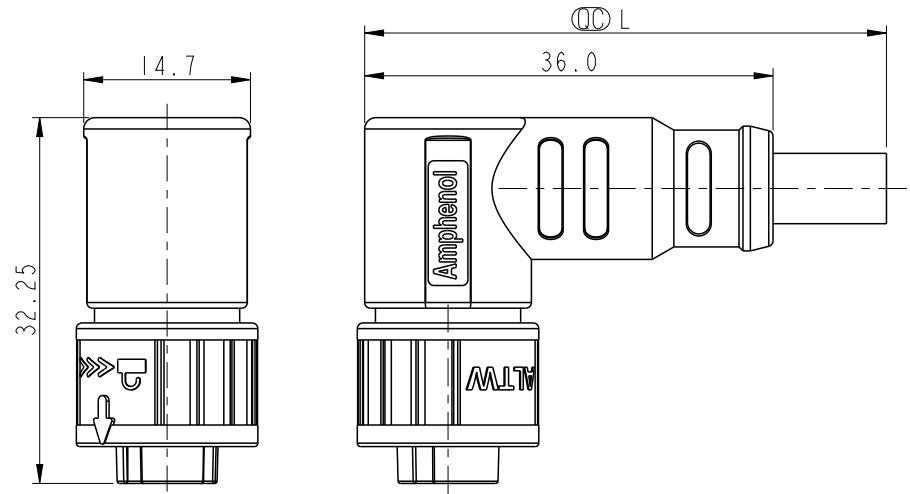
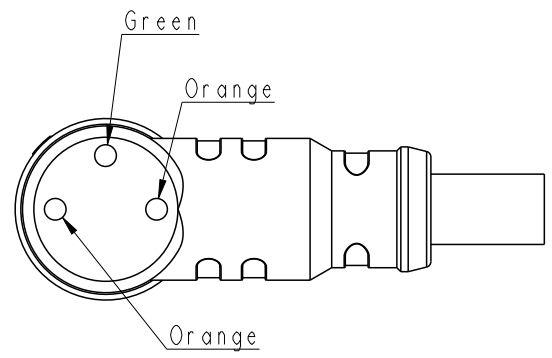
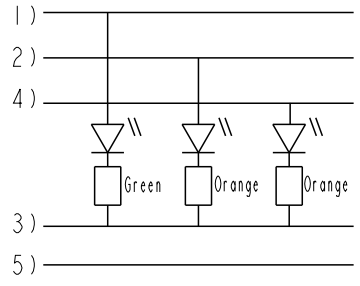


THIS DOCUMENT IS SUBJECT TO CHANGE WITHOUT NOTICE. IT IS CONFIDENTIAL AND A PROPERTY OF Amphenol LTW. DISCLOSURE TO THIRD PARTY HAS TO BE AUTHORIZED BY Amphenol LTW.

REV.	ECN NO.	DATE	SIGN	DESCRIPTION
A		2021-05-26	Sam Ho	Rev.01 to A, Initial Released

5 Pin	PVC	6.2	20	LAD-05BFFM-QR8DXX
4 Pin		6.0		LAD-04BFFM-QR8DXX
3 Pin		5.5		LAD-03BFFM-QR8DXX
Contacts	Cable Jacket	Cable OD	AWG	Item No.



Note:

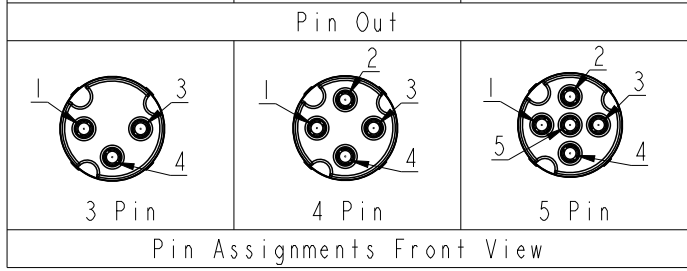
- * \varnothing Important Dimension
- * Waterproof Rate: IPX8, Mated 1m/24h
- * Connector
 - Housing: Thermoplastic, Black
 - Pin: Copper Alloy, Gold Plated
 - O-Ring: Rubber, Black
 - Nut: Thermoplastic, Black
 - Outer Mold: Thermoplastic, Transparent Black.
- * Cable: UL21388, PVC Jacket, Black
- * Cable Length Tolerance:
 - 1M: +50/-0 mm
 - 1M < L ≤ 3M: +100/-0 mm
 - 3M < L ≤ 5M: +150/-0 mm
 - 5M < L ≤ 10M: ±100 mm
 - 10M < L ≤ 20M: ±200 mm
 - 20M < L ≤ 30M: ±300 mm
 - 30M < L ≤ 99M: ±500 mm

LAD- XX BFFM-QR8D XX

No. Of Pin

XX: L=0~99Meters
 01: L=1Meters
 02: L=2Meters
 ...
 99: L=99Meters

5	-	-	5	-	-	5	Yellow	黃
4	Brown	棕	4	Orange	橘	4	Orange	橘
3	Red	紅	3	Red	紅	3	Red	紅
2	-	-	2	Brown	棕	2	Brown	棕
1	Black	黑	1	Black	黑	1	Black	黑
Pin #	Wire		Pin #	Wire		Pin #	Wire	



UNIT:mm		TITLE
TOLERANCE	$\pm 0.50\text{mm}$	XLOK, LED-A-5A, 05P, CABLE W/O SR F, F, MOLDING, PUSH LOCK
SCALE	3:2	SIZE A4
REV.	A	SHEET 1 OF 1
WC-REV.		\varnothing Inspection item

Amphenol LTW		ITEM NO.	DRAWN BY	DATE
安費諾亮泰企業股份有限公司		DWG NO.	Sam Ho	2021-05-11
		CUSTOMER	Checked By	DATE
		ALTW	Fred Lee	2021-05-11
			APPROVED BY	DATE
			Fred Lee	2021-05-11