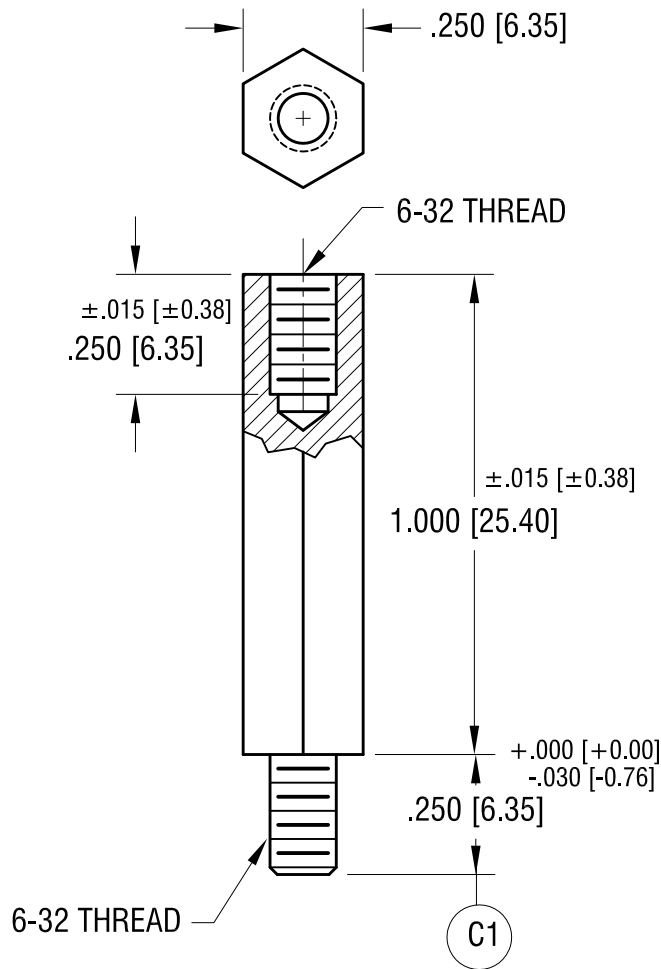


THIS DOCUMENT IS THE PROPERTY OF KEYSTONE ELECTRONICS CORP. AND SHALL NOT BE REPRODUCED, DISTRIBUTED OR USED AS A BASIS FOR MANUFACTURE WITHOUT PRIOR WRITTEN PERMISSION FROM KEYSTONE ELECTRONICS CORP.

ACTUAL SIZE



NOTE:

1. MAT'L- HIGH TEMPERATURE ,
HIGH PERFORMANCE NYLON (COLOR- BLACK)
2. TEMPERATURE RANGE: -20°F [-29°C] to +365°F [+185°C]

4.17.23	(C1) WAS .250±.015 CHANGE AS PER ECN23-056	C
1.13.22	TEMP. WAS -20°F to +400°F CHANGE AS PER ECN 22-021	B
6.15.20	GENERAL TOLERANCE WAS ±.005 CHANGE AS PER ECN 20-054	A
DATE	DESCRIPTION	REV.

KEYSTONE ELECTRONICS CORP.			
www.keyelco.com • NEW HYDE PARK, NY 11040 • Tel (516) 328-7500			
PART NAME HIGH TEMPERATURE NYLON STANDOFF			
MATERIAL AS NOTED			
FINISH NONE		DRN BY NT	DATE 11.30.17
		APP'D RH	SCALE 2.5X
TOLERANCES INCH [MM]	CODE	DWG NO.	
DECIMAL ±.010 [±0.25]	C	4976	
ANGULAR ± 1° UNLESS OTHERWISE SPECIFIED			