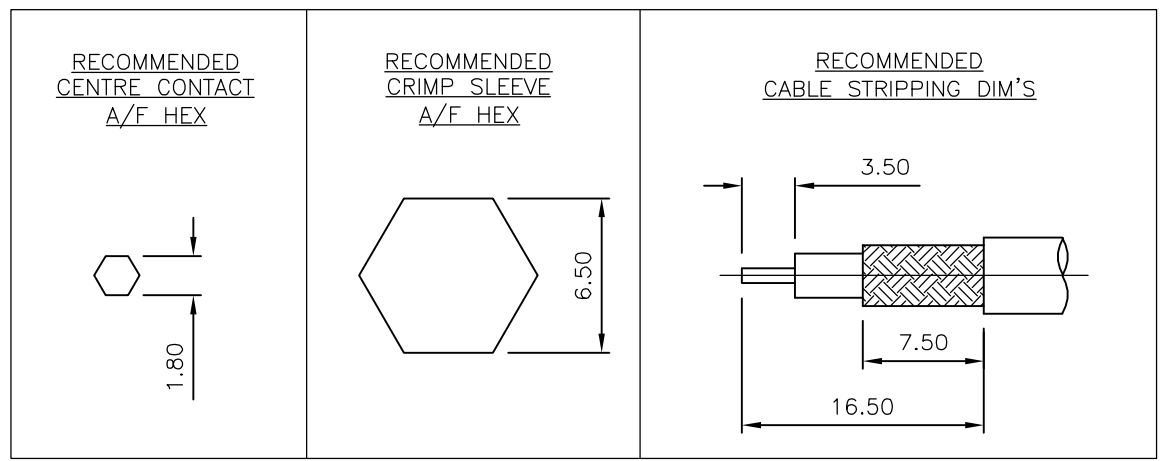
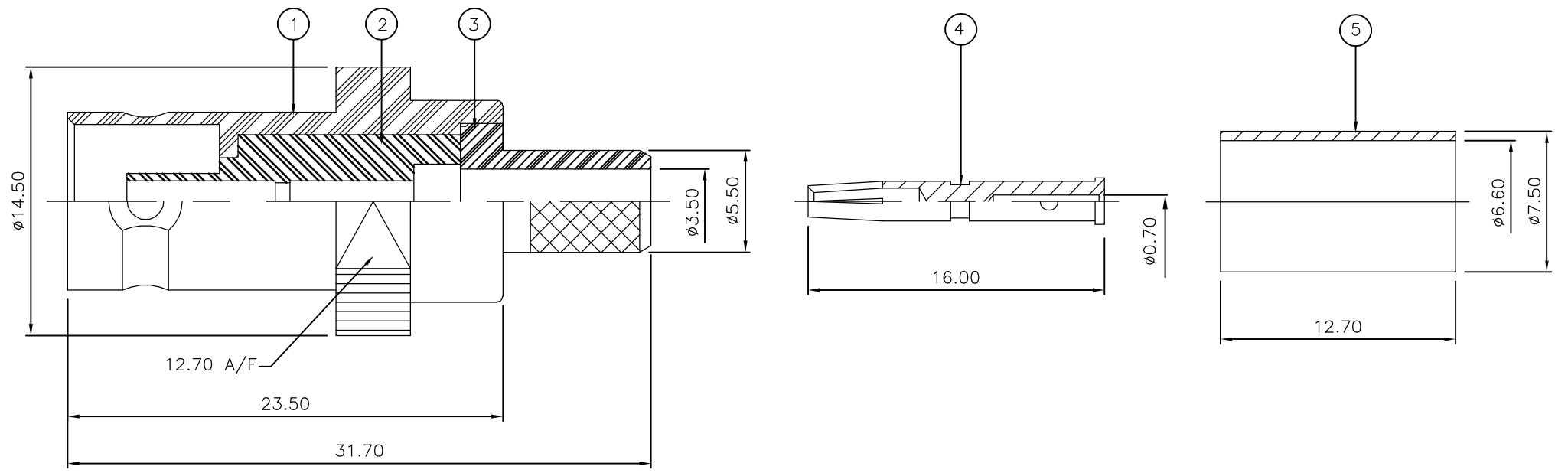


THIS DRAWING IS UNPUBLISHED. RELEASED FOR PUBLICATION JUN ,2006.  
 © COPYRIGHT 2006 BY TYCO ELECTRONICS CORPORATION. ALL RIGHTS RESERVED.

LOC	DIST	REVISIONS					
E	B	P	LTR	DESCRIPTION	DATE	DWN	APVD
		B		ECR-06-013423	15JUN06	JMS	FWK

NOTES:

- 1 PACK IN ACCORDANCE WITH AMP SPEC 107-3275
- 2 100 TRAY PACK IN ACCORDANCE WITH AMP SPEC 107-3275
- 3 Ag PLATING
- 4 HAND TOOL : 9-1478240-0
- 5 DIE SET : 9-1478242-0
- 6 ELECTRICAL CHARACTERISTICS  
 FREQUENCY RANGE: DC - 2 GHz  
 NOMINAL IMPEDANCE: 75 Ohm  
 INSULATION RESISTANCE: 5000 MOhm  
 WORKING VOLTAGE: 500 Volts RMS at Sea Level  
 DIELECTRIC WITHSTAND VOLTAGE: 1500 Volts RMS Max  
 CONTACT RESISTANCE:  
 CENTRE CONTACT: 1.50 mOhm Max  
 OUTER CONTACT: 0.20 mOhm Max  
 VSWR @ 2GHz: 1.20:1 Max  
 INSERTION LOSS dB @ x 2 GHz: 0.20 Max
- 7 MECHANICAL CHARACTERISTICS  
 COUPLING RETENTION FORCE: N/A  
 CABLE RETENTION FORCE: 170N Min  
 DURABILITY: 500 Cycles Min
- 8 ENVIRONMENTAL CHARACTERISTICS  
 OPERATING TEMPERATURE: -65 to +165 DegC
- 9 FOR TECHNICAL DATA REFER TO YOUR LOCAL TYCO ELECTRONICS SALES OFFICE
- 10 ALL DIMENSIONS ARE NOMINAL FOR REFERENCE ONLY UNLESS OTHERWISE STATED



QTY	DESCRIPTION	ITEM
1	BRASS FERRULE	5
1	BRASS CONTACT	4
1	BRASS CHASSIS	3
1	PTFE INSULATION	2
1	BRASS BODY	1
6--0	1--0 MATERIAL	DESCRIPTION
		ITEM

THIS DRAWING IS A CONTROLLED DOCUMENT.		DWN J.SANDWELL 15JUN06		Tyco Electronics Corporation Bideford EX39 4HE	
DIMENSIONS: mm		CHK S.PARLOW 15JUN06			
TOLERANCES UNLESS OTHERWISE SPECIFIED:		APVD F.WHEELER-KING 15JUN06		NAME BNC STRAIGHT JACK CRIMP 75 OHM URM70	
0 PLC ± - 1 PLC ± - 2 PLC ± - 3 PLC ± - 4 PLC ± - ANGLES ± -		PRODUCT SPEC -		APPLICATION SPEC -	
MATERIAL SEE TABLE		FINISH -		SIZE A3 CAGE CODE 00779 DRAWING NO C-1478061 RESTRICTED TO -	
CUSTOMER DRAWING				SCALE NTS SHEET 1 OF 1 REV B	