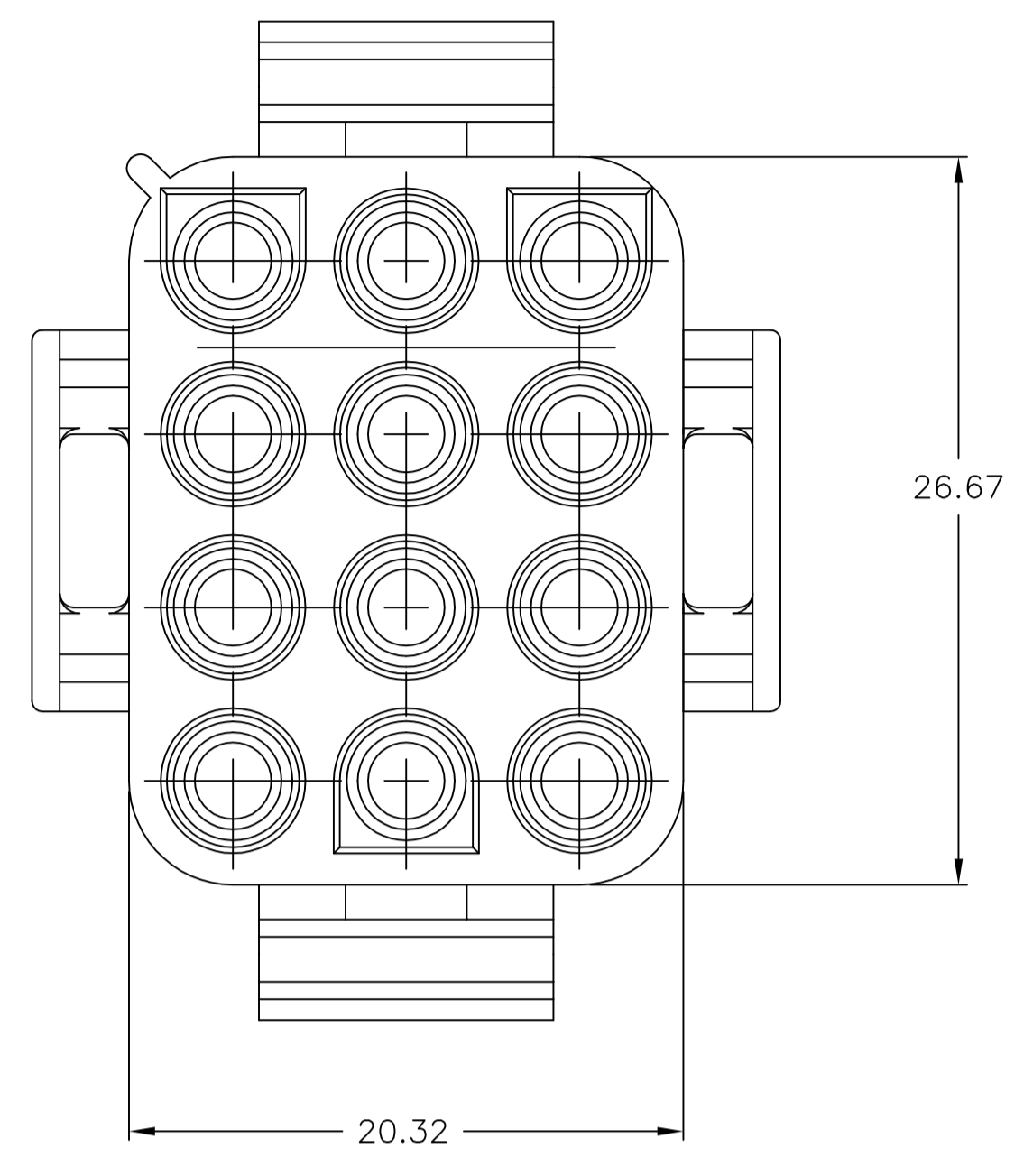
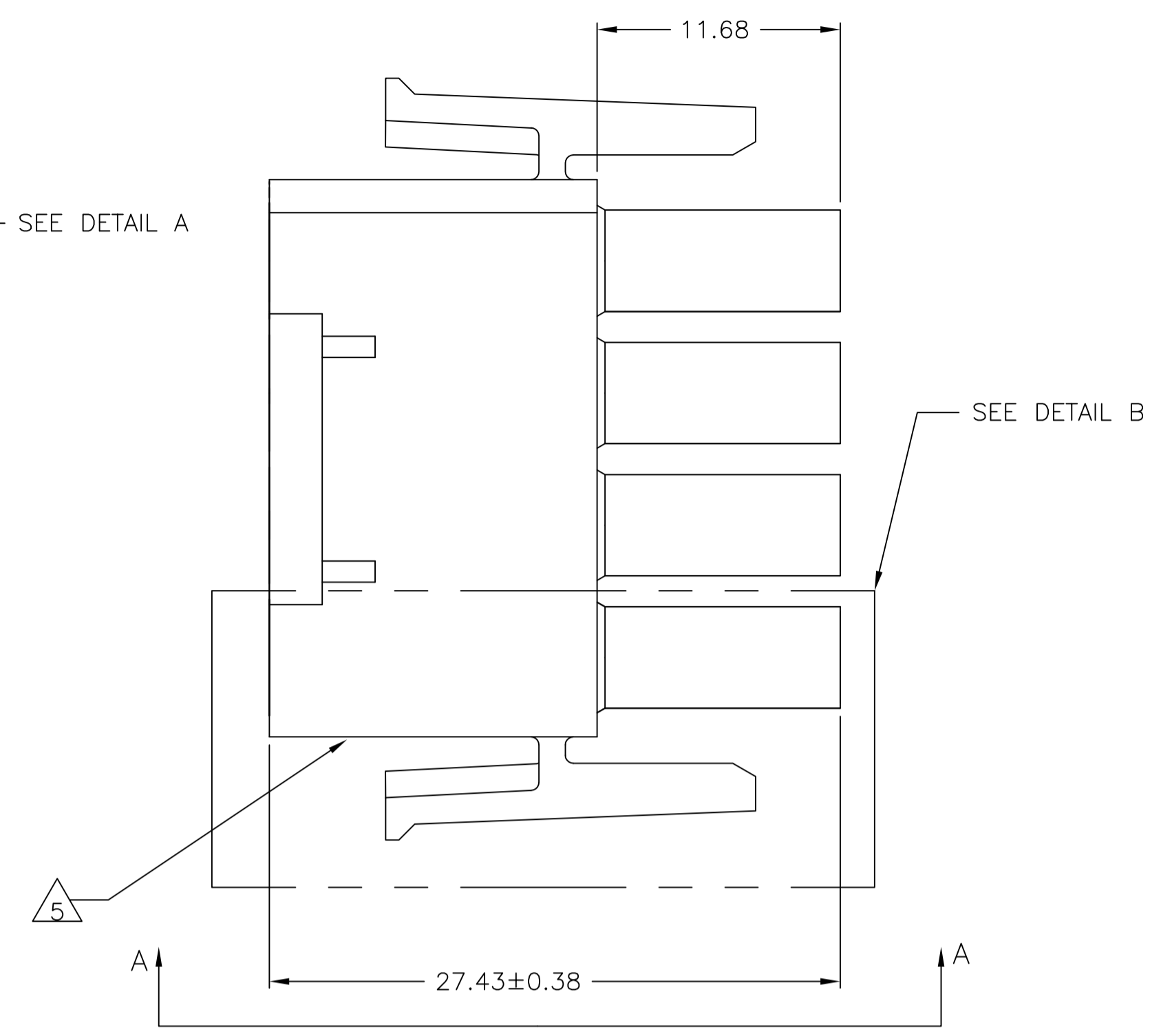
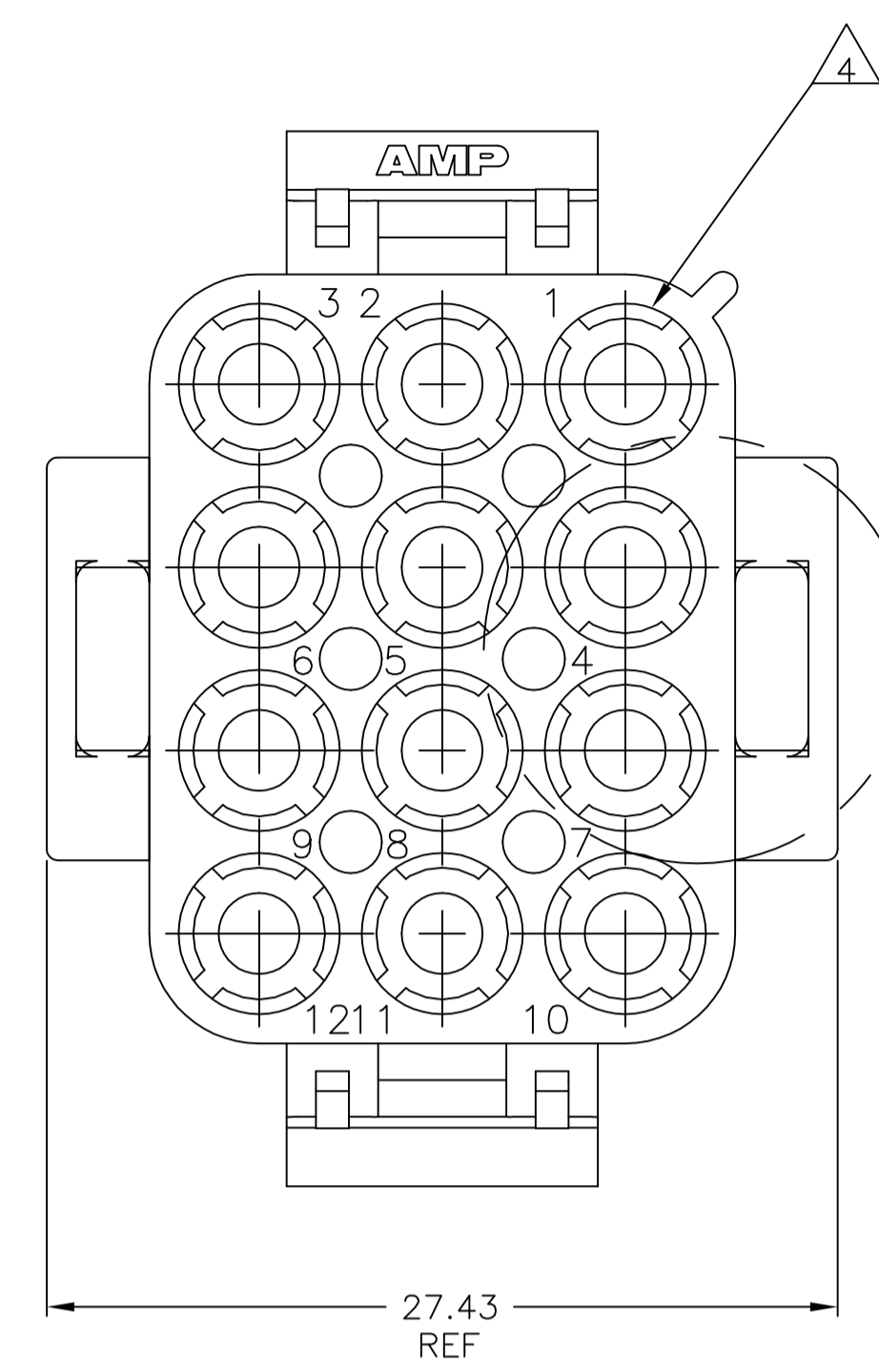
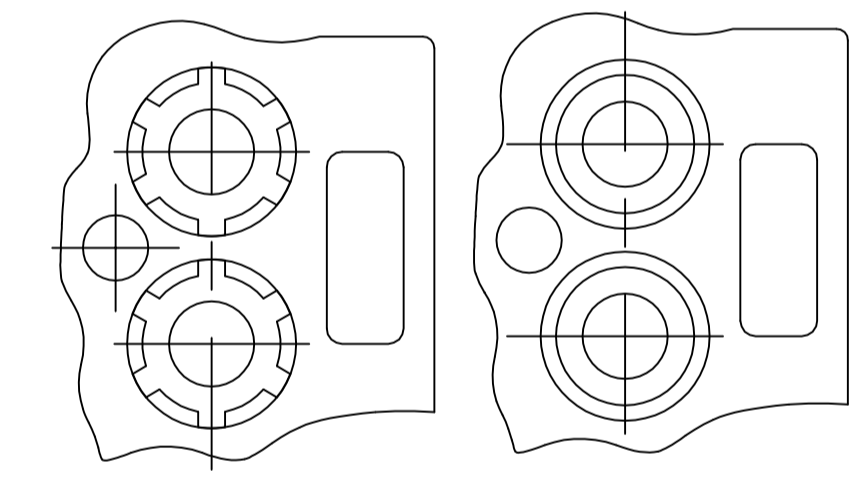
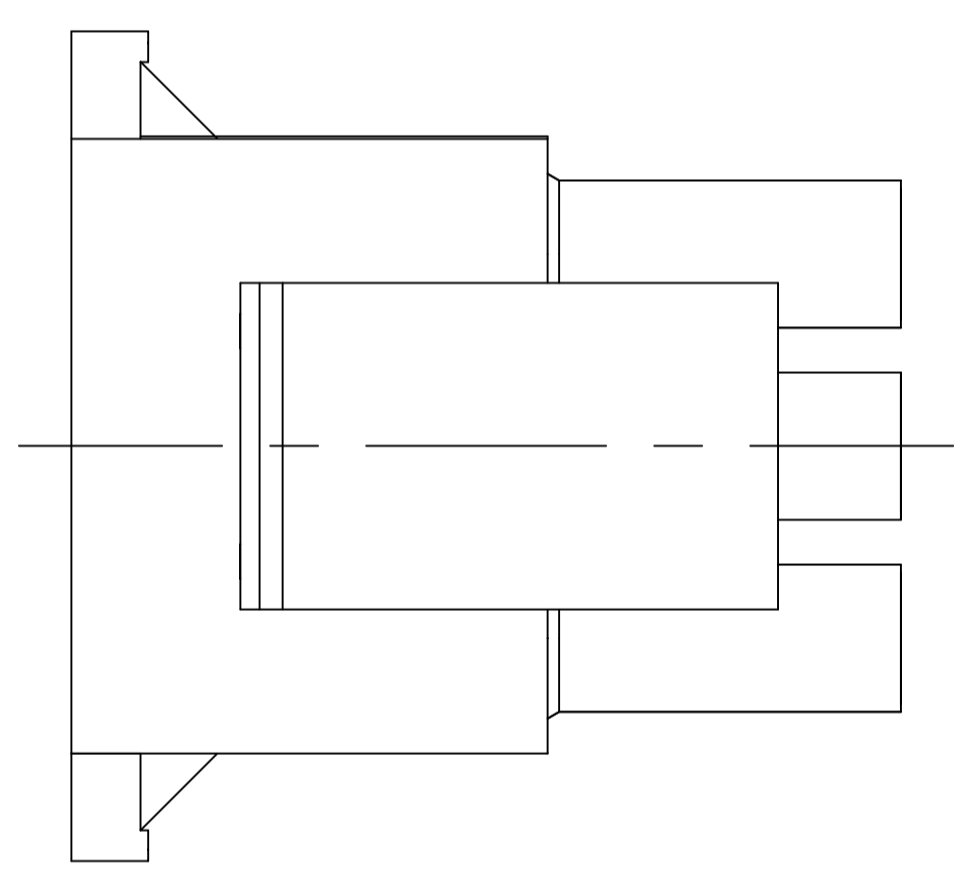


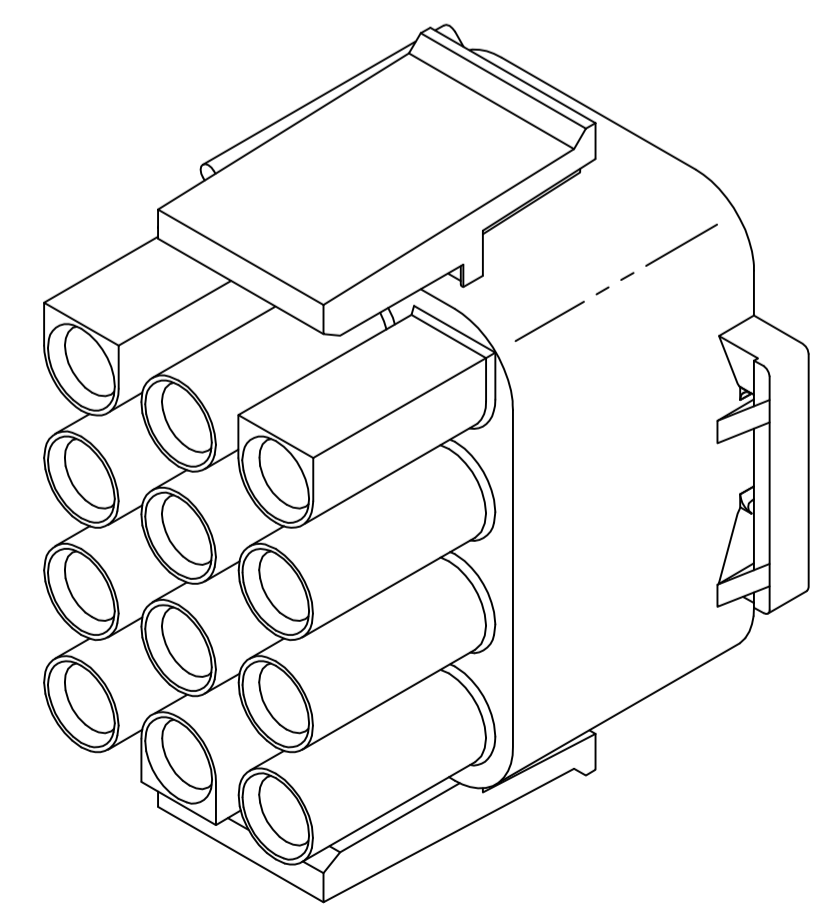
REVISIONS				
P	LTR	DESCRIPTION	DATE	OWN
C1		REVISED PER ECR-17-015449	26OCT2017	BDA KR



- 1 MATES WITH APPROPRIATE UNIVERSAL MATE-N-LOK™ CAP OR HEADER.
- 2 SMALL NICKS ARE PERMITTED ON THE CIRCUIT TOWERS WHICH COULD INCREASE THE INITIAL HOUSING MATING FORCE BY UP TO 4.4 NEWTONS [1.0] LBS. NO INDIVIDUAL NICKED TOWER SHALL INCREASE THIS FORCE BY OVER 2.2 NEWTONS [.5] LBS.
- 3 DIMENSIONS SHOWN REPRESENT PRODUCT IN DRY, AS MOLDED, CONDITION. ADDITIONAL 2% GROWTH DUE TO SUBSEQUENT MOISTURE ABSORPTION MAY OCCUR AND SHOULD BE ACCOUNTED FOR.
- 4 FOUR RIBS EQUALLY SPACED, NO SPECIFIC ORIENTATION, NO RIBS OR SIX RIBS EQUALLY SPACED, NO SPECIFIC ORIENTATION, OPTIONAL.
- 5 UNDERWRITERS RECOGNIZED COMPONENT LOGO AND CSA CERTIFICATION LOGO TO BE LOCATED ONCE ON EACH SIDE OF HOUSING.
- 6 FLAMMABILITY V2 FOR THICKNESS 0.38mm, 1.5mm, and 3.0mm PER IEC 60695-11-10.
- 7 GLOW-WIRE FLAMMABILITY (GWI) 800°C FOR THICKNESS 0.38mm AND 0.75mm PER IEC 60695-2-12.
- 8 GLOW-WIRE FLAMMABILITY (GWI) 960°C FOR THICKNESS 1.5mm AND 3.0mm PER IEC 60695-2-12.
- 9 GLOW-WIRE IGNITION (GWIT) 825°C FOR THICKNESS 0.38mm, 0.75mm, 1.5mm AND 3.0mm PER IEC 60695-2-13.



DETAIL A
OPTIONAL CONSTRUCTION



3-DIMENSIONAL MODEL
NOT TO SCALE

27.43	1.080
26.67	1.050
20.32	.800
11.68	.460
3	.118
0.4	.016
0.38	.015
0.13	.005
MM	IN

CONVERSION TABLE

NATURAL	1586848-1
COLOR	PART NUMBER

THIS DRAWING IS A CONTROLLED DOCUMENT.		DWN K. WHITAKER 19JUL2007	NATURE OF DOCUMENT	
DIMENSIONS: mm		CHK D. COLEY 19JUL2007	NAME	
TOLERANCES UNLESS OTHERWISE SPECIFIED:		APPROVED D. COLEY 19JUL2007	PLUG, 12 CIRCUIT, UNIVERSAL MATE-N-LOK(TM)	
0 PLC ± -		APPLICATION SPEC	SIZE	
1 PLC ± -		—	CAGE CODE	
2 PLC ± 0.13		—	DRAWING NO	
3 PLC ± -		—	RESTRICTED TO	
4 PLC ± -		—	A1 00779	
ANGLES ± ± '30'		—	C=1586848	
MATERIAL NYLON,UL 94V-2	FINISH —	WEIGHT	CUSTOMER DRAWING	
		SCALE	SHEET 1 OF 1 REV C1	