

THE INFORMATION CONTAINED HEREIN IS CONSIDERED "PROPRIETARY" TO BEL FUSE INC. AND SHALL NOT BE COPIED, REPRODUCED OR DISCLOSED WITHOUT THE WRITTEN APPROVAL OF BEL FUSE INC.

PRELIMINARY



LED1 POLARITY			LED2 POLARITY		
PIN 14	PIN 13	COLOR	PIN 12	PIN 11	COLOR
-	+	YELLOW	+	-	ORANGE
/	/	/	-	+	GREEN

ELECTRICAL CHARACTERISTICS @ 25°C

URNS RATIO

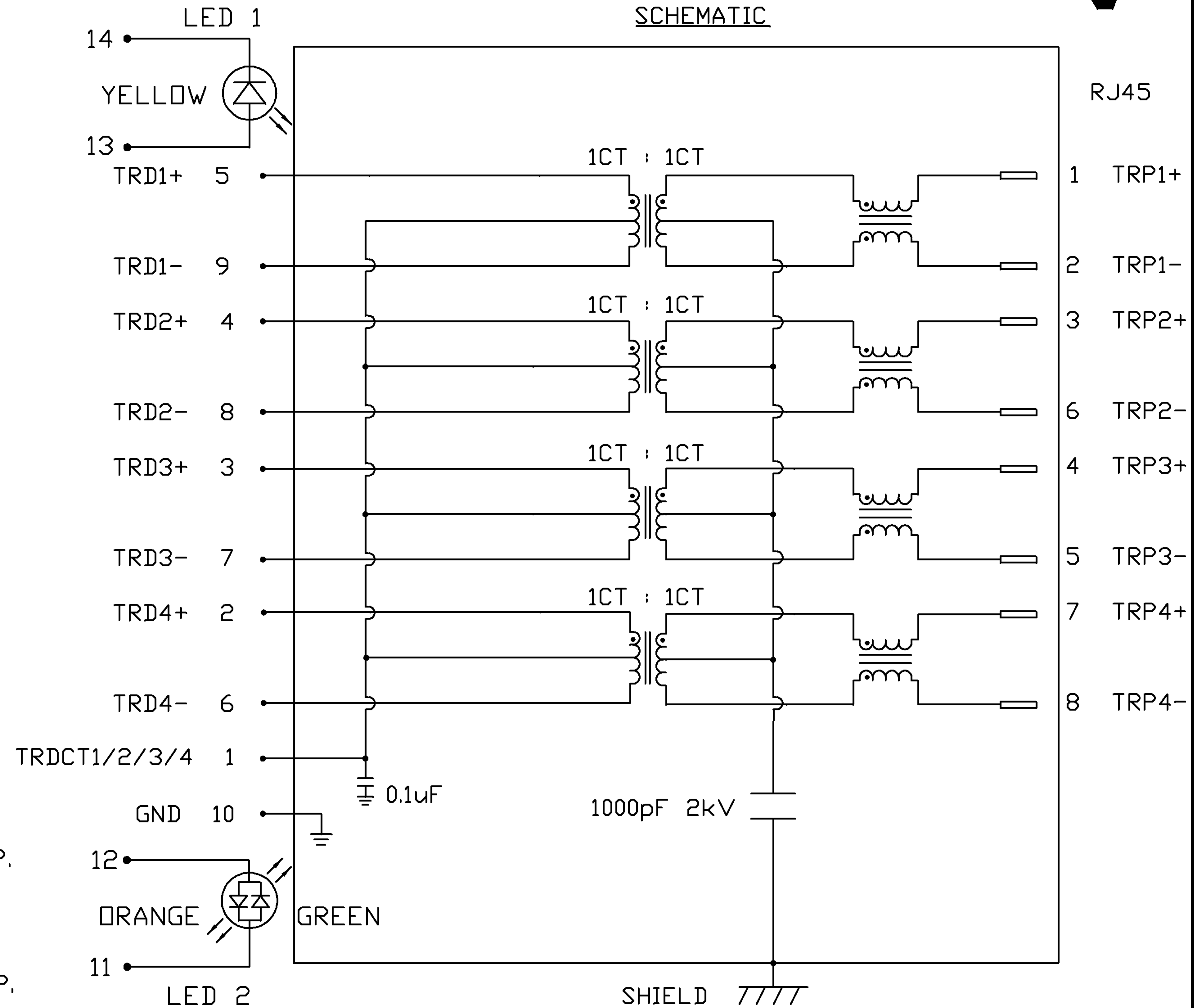
TP1	1CT : 1CT ±3%
TP2	1CT : 1CT ±3%
TP3	1CT : 1CT ±3%
TP4	1CT : 1CT ±3%
OC @ 100kHz/100mVRMS	350 µH MIN.
8mA DC BIAS	
INS. LOSS	-1.1 dB MAX
1MHz TO 100MHz	
RET. LOSS (MIN)	
1MHz-40MHz	-18 dB
40MHz-100MHz	-12+20LOG(F/80MHz) dB
CM TO CM REJ	
1MHz - 100MHz	-20 dB MIN
CROSSTALK (TX - RX)	
1MHz - 30MHz	-40 dB MIN
30MHz - 60MHz	-30 dB MIN
HIPOT (Isolation Voltage):	1500 Vrms
100% OF PRODUCTION TESTED TO COMPLY WITH IEEE 802.3 ISOLATION REQUIREMENTS	

LED 1

VF (FORWARD VOLTAGE) IF=20mA YELLOW 2.1V TYP.
 λ D (DOMINANT WAVELENGTH) IF=20mA YELLOW 590nm TYP.

LED 2

VF (FORWARD VOLTAGE) IF=20mA GREEN 2.2V TYP.
 ORANGE 2.0V TYP.
 λ D (DOMINANT WAVELENGTH) IF=20mA GREEN 565nm TYP.
 ORANGE 610nm TYP.



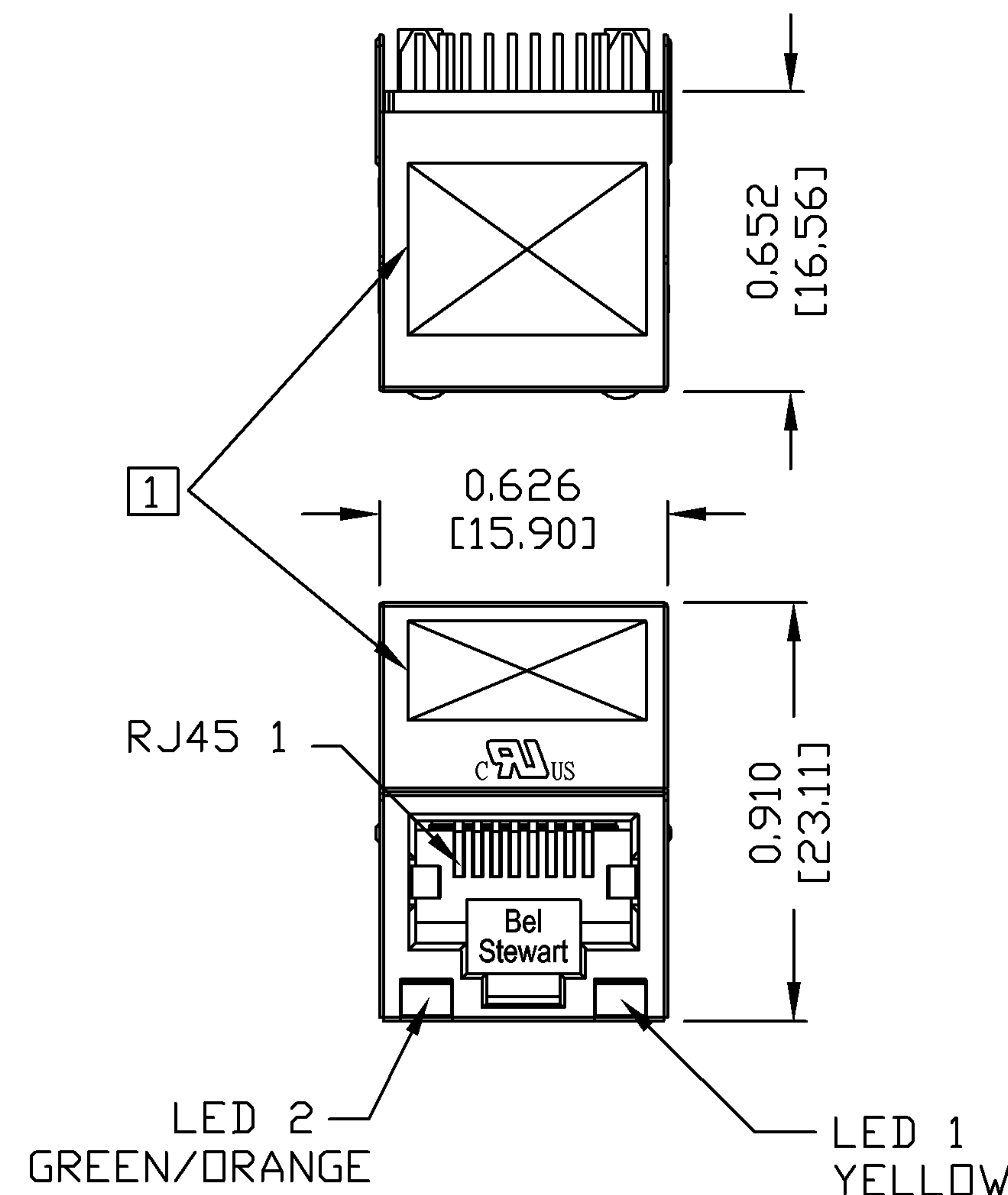
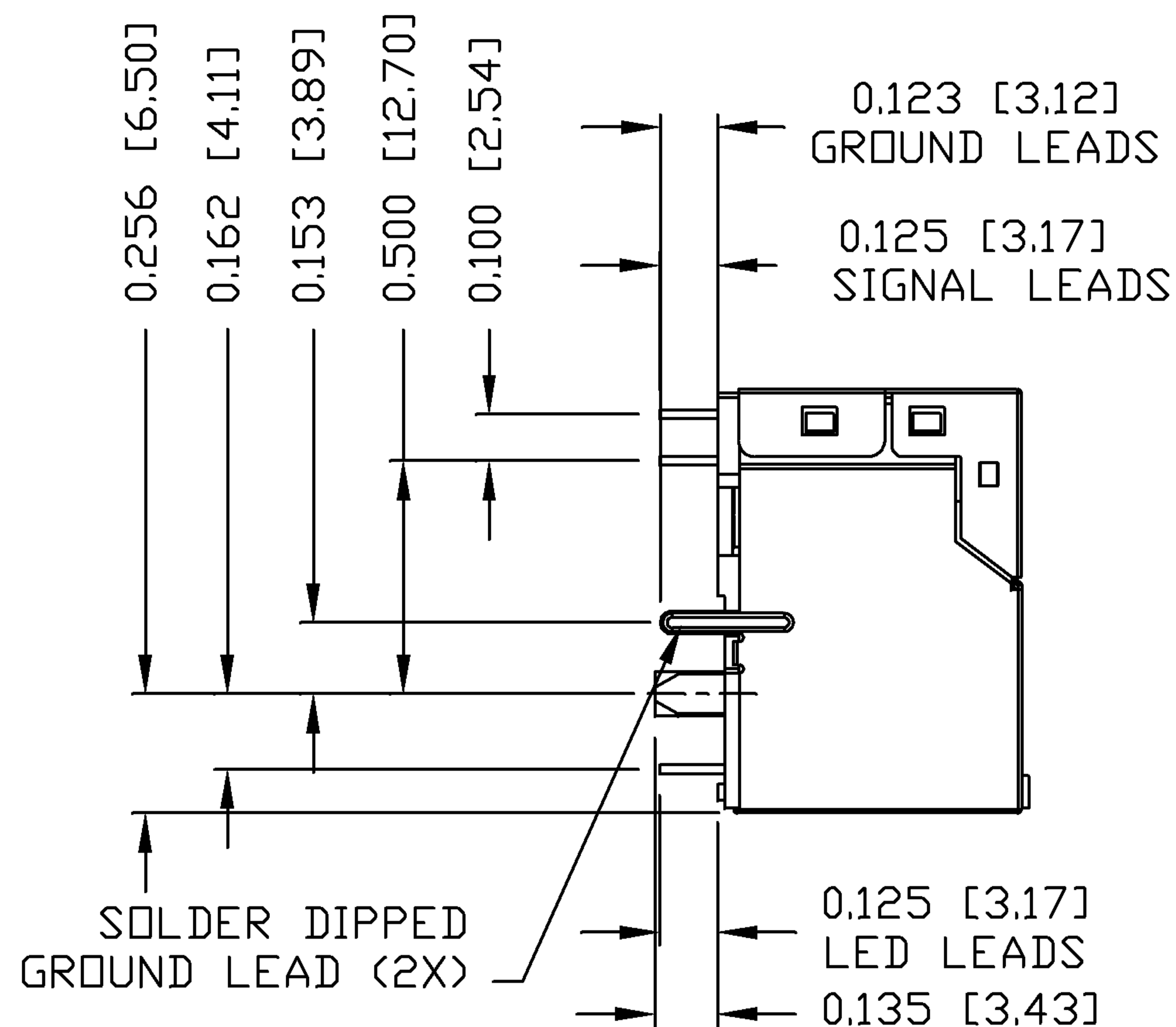
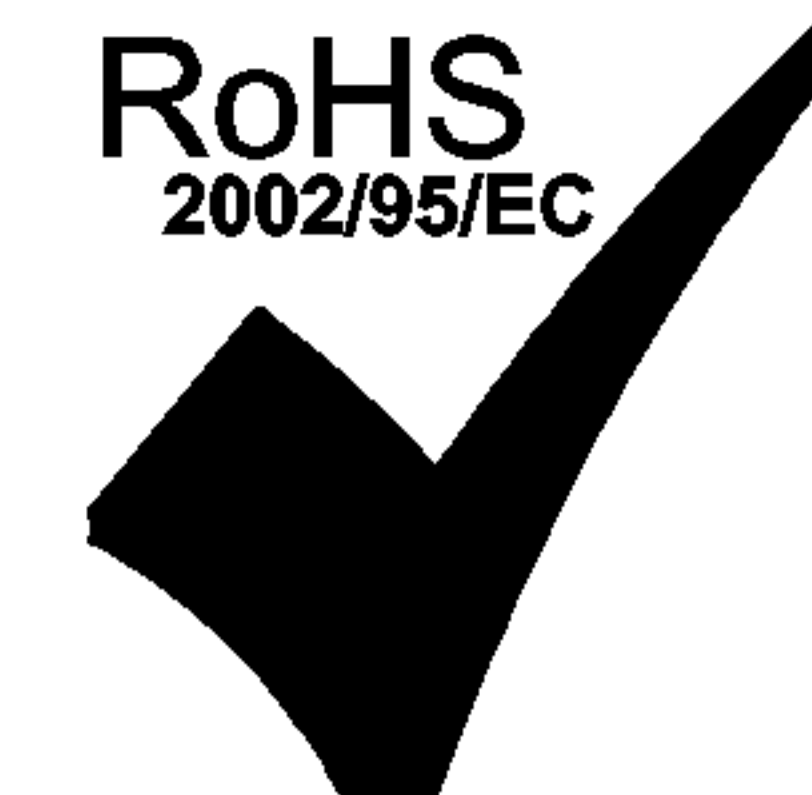
ORIGINATED BY	DATE	TITLE	PART NO. / DRAWING NO.	STANDARD DIM. TOL. IN INCH	[] METRIC DIM. AS REFERENCE
CHOU WANCHUNG	06-03-08	gigabit MagJack® (8 cores, Vertical)	V890-1XX1-A1	.X	UNIT : INCH [mm] REV. : PC
DRAWN BY	DATE		FILE NAME	.XX	SCALE : N/A SIZE : A4
DENG PING	06-03-08		V890-1XX1-A1_PC.DWG	.XXX	PAGE : 2



THE INFORMATION CONTAINED HEREIN IS CONSIDERED "PROPRIETARY" TO BEL FUSE INC. AND SHALL NOT BE COPIED, REPRODUCED OR DISCLOSED WITHOUT THE WRITTEN APPROVAL OF BEL FUSE INC.

PRELIMINARY

MECHANICAL SPECIFICATION



NOTES:

PLASTIC HOUSING: THERMOPLASTIC PBT.
FLAMMABILITY RATING UL 94V-0
CONTACTS: 30 MICRO-INCH HARD GOLD PLATING
OUTPUT PINS: TIN-COATED COPPER WIRE, DIA 0.018 INCH.
METAL SHIELD: NICKEL PLATED ON COPPER ALLOY.
(ALL GROUND LEADS ARE SOLDER DIPPED)

JACK CAVITY CONFORMS TO FCC RULES AND REGULATIONS.

① MARK PART WITH MFG LOGO, MFG NAME, PART NUMBER, AND DATE CODE.

RoHS COMPLIANCE, PER EU DIRECTIVE 2002/95/EC.

c US UL RECOGNIZED - FILE #E196366 AND E169987.

ORIGINATED BY ZX HUANG	DATE 06-03-08	TITLE gigabit MagJack® (8 cores, Vertical)	PART NO. / DRAWING NO. V890-1XX1-A1	STANDARD DIM. TOL. IN INCH	[] METRIC DIM. AS REFERENCE	 COMPONENTS FOR A CONNECTED PLANET
DRAWN BY JOLLY LUO	DATE 06-03-08		FILE NAME V890-1XX1-A1_PC.DWG	.X .XX .XXX	±0.010	
					REV. : PC SIZE : A4	
					PAGE : 3	

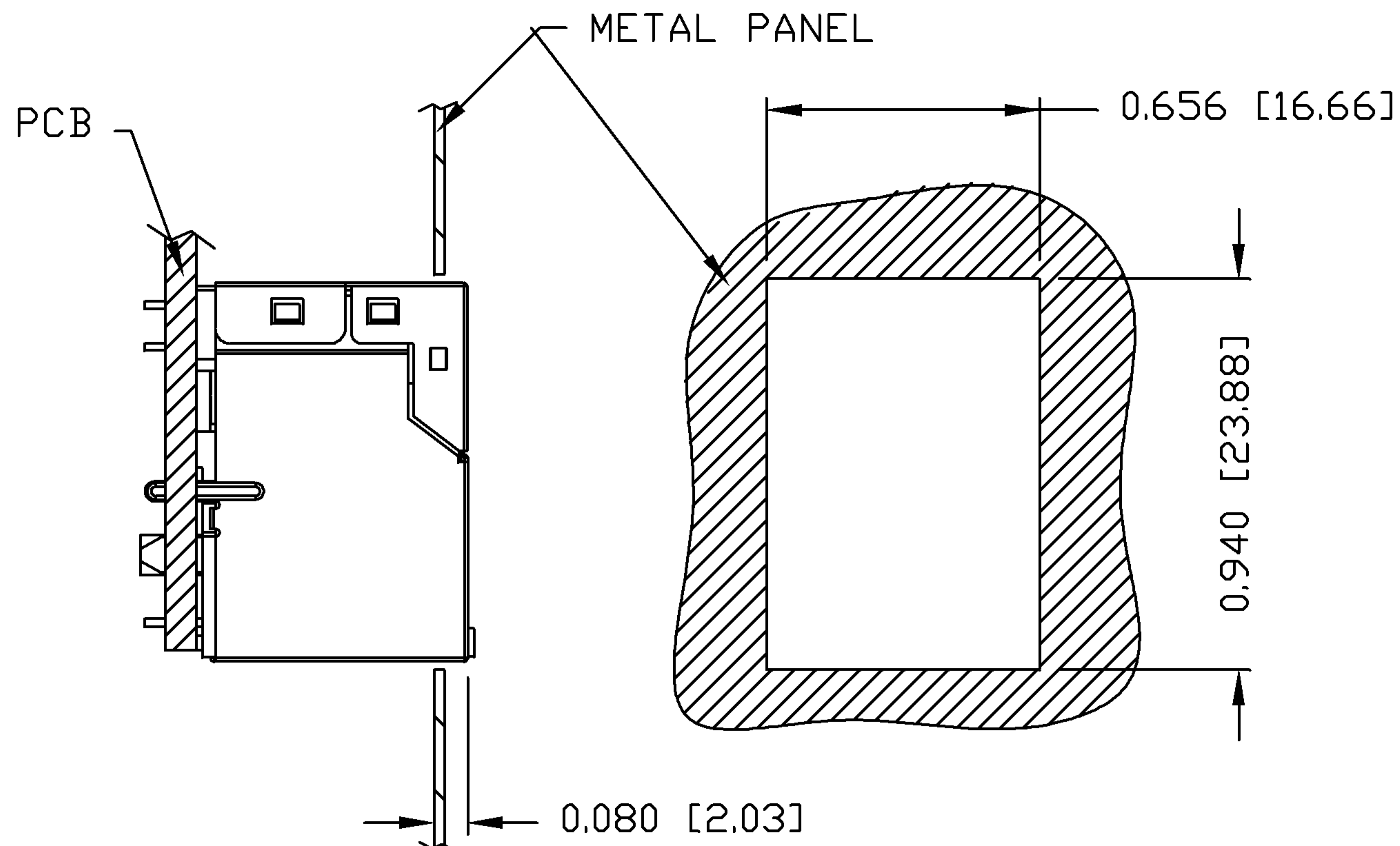
THE INFORMATION CONTAINED HEREIN IS CONSIDERED "PROPRIETARY" TO BEL FUSE INC. AND SHALL NOT BE COPIED, REPRODUCED OR DISCLOSED WITHOUT THE WRITTEN APPROVAL OF BEL FUSE INC.

PRELIMINARY

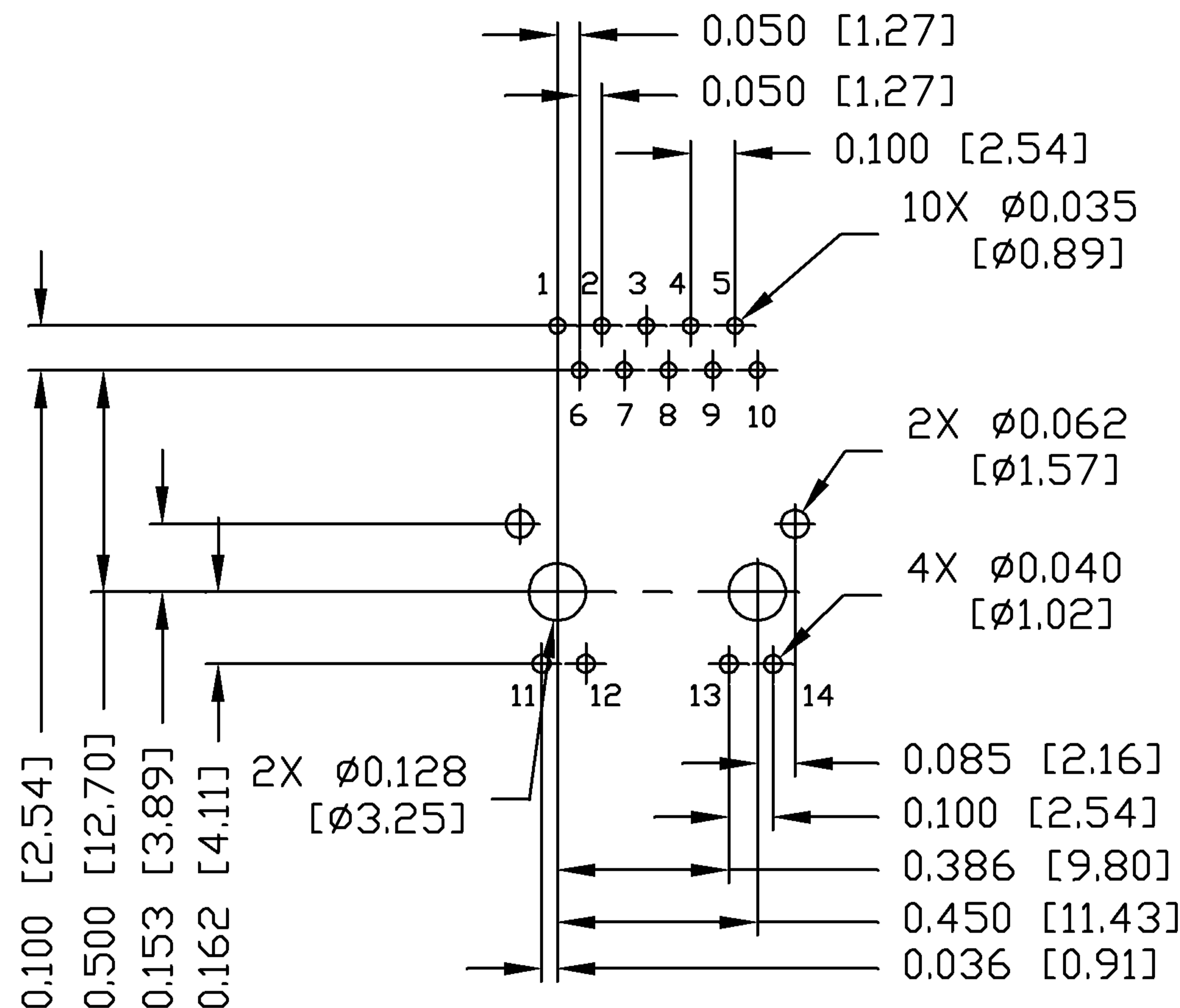
RoHS
2002/95/EC



SUGGESTED PANEL OPENING



RECOMMENDED PCB FOOTPRINT
COMPONENT SIDE VIEW



NOTES:

THE DISTANCE OF PANEL INSIDE SURFACE RELATIVE TO FRONT SURFACE OF PART IS ONLY A SUGGESTION. IN CASE THIS DISTANCE IS DIFFERENT, THE REQUIRED PANEL OPENING DIMENSIONS CHANGE ACCORDINGLY.

PACKING INFORMATION

PACKING TRAY : 0200-9999-13(TOP)

0200-9999-14(BOTTOM)

PACKING QUANTITY : 55 PCS FINISHED GOODS PER TRAY
9 TRAYS (495 PCS FINISHED GOODS)
PER CARTON BOX

NOTER: CARDBOARDS ARE PLACED BETWEEN LAYERS
OF PACKING TRAY INSIDE CARTON BOX
(INCLUDE THE UPPERMOST AND LOWERMOST TRAY)

ORIGINATED BY ZX HUANG	DATE 06-03-08	TITLE gigabit MagJack® (8 cores, Vertical)	PART NO. / DRAWING NO. V890-1XX1-A1	STANDARD DIM. TOL. IN INCH	[] METRIC DIM. AS REFERENCE
DRAWN BY JOLLY LUO	DATE 06-03-08		FILE NAME V890-1XX1-A1_PC.DWG	.X .XX .XXX	±0.004

