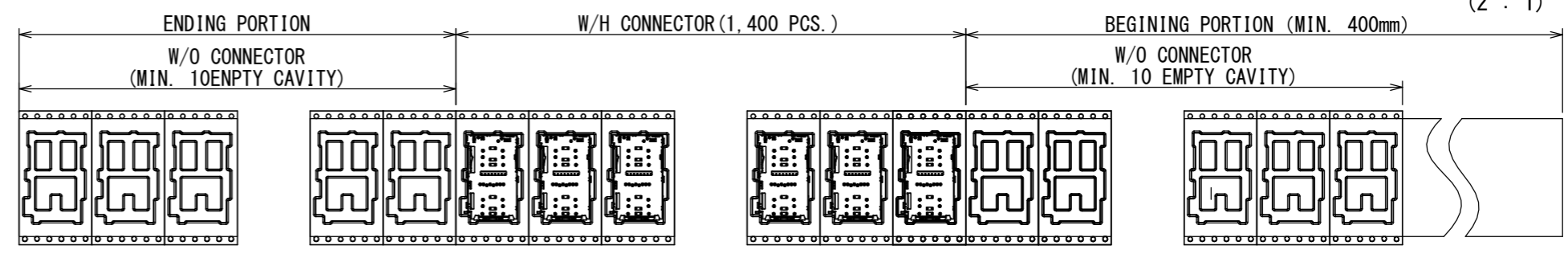
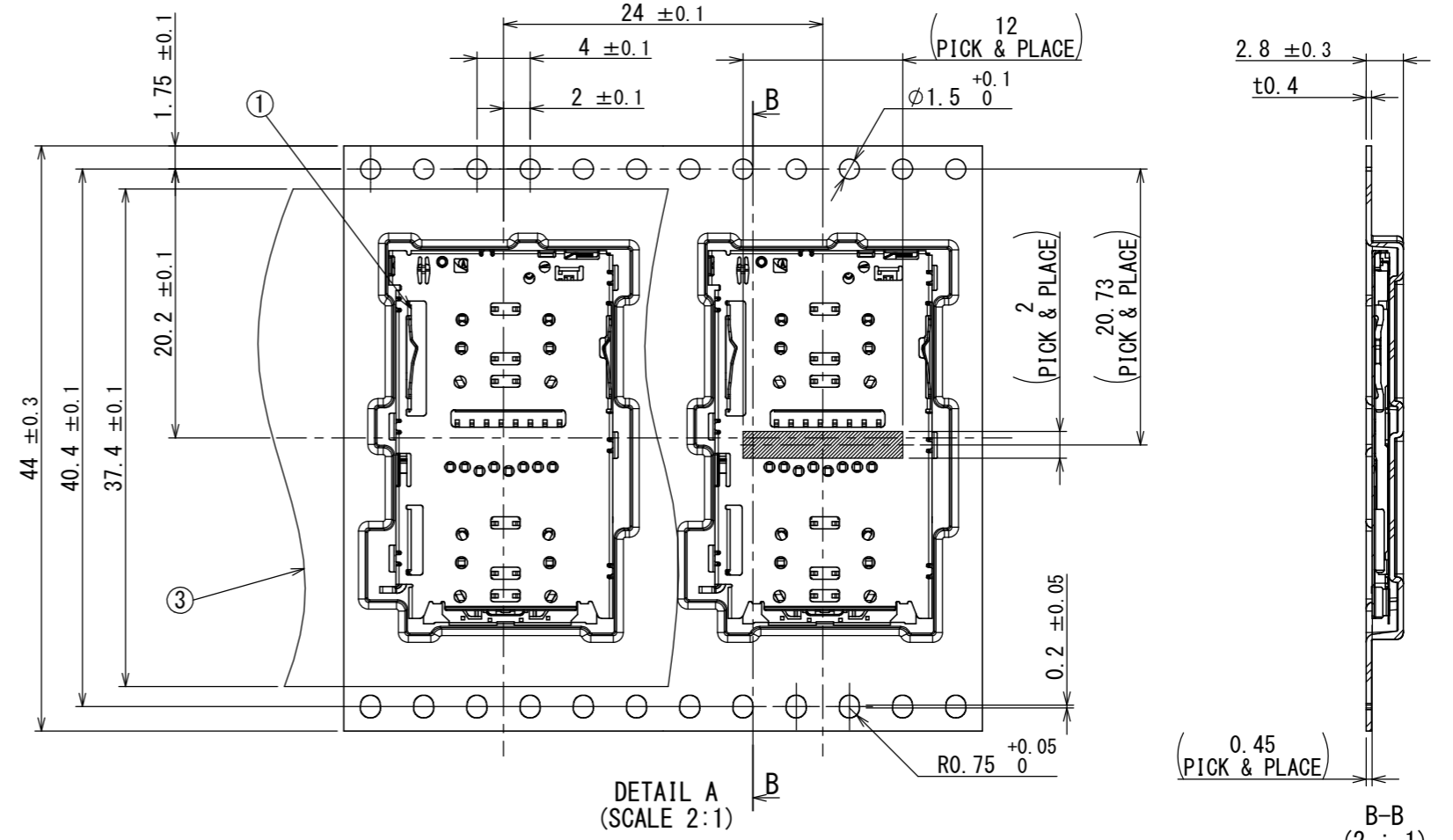
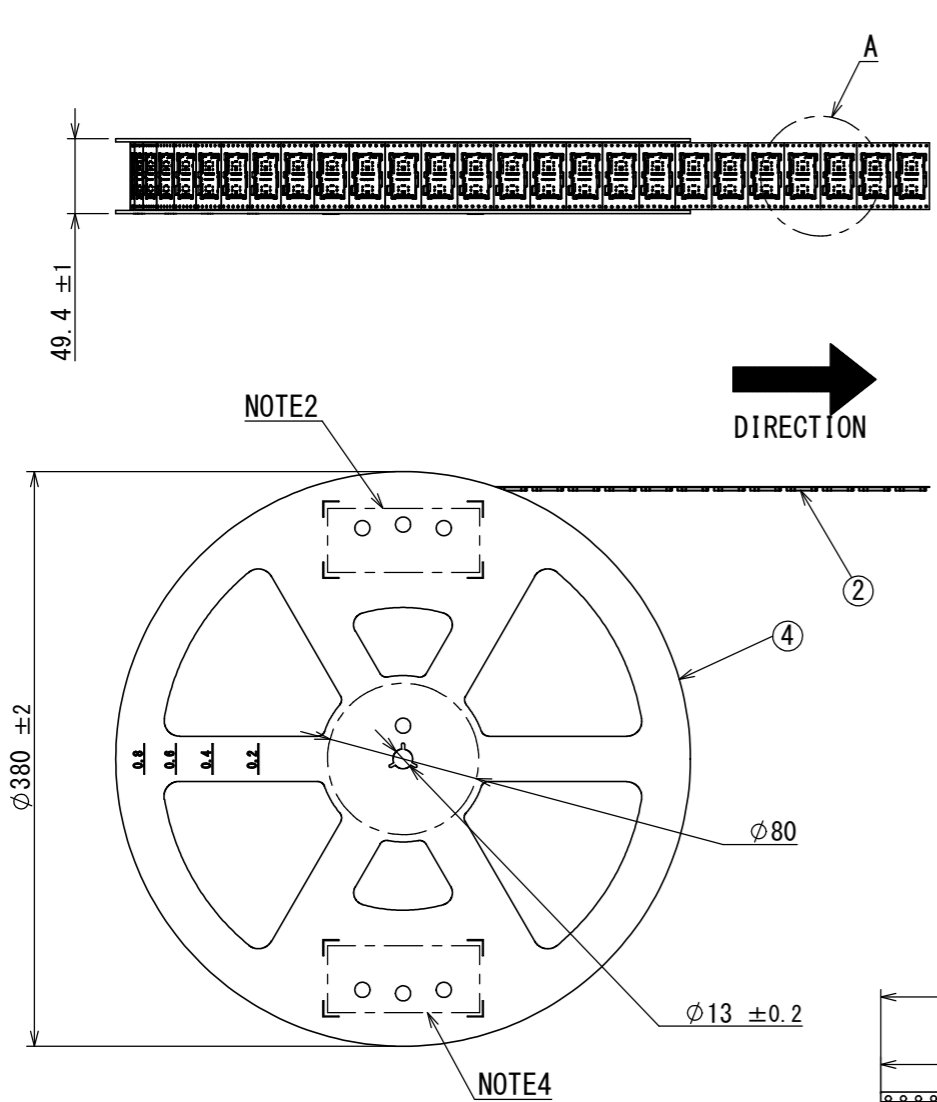


899711CS  
(ON DRAWING) (台異図)

版数 VER.	年月日 DATE	CN NO.	変更内容 DESCRIPTION	製図 DR.	担当 CHK.	査閲 APPD.	承認 APPD.
2	26/DEC/2016	019839	CORRECT AN ERROR		K. MIKAWA	K. KUME	M. SHIMADA



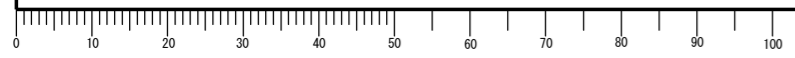
NOTE1. SUFFIX "R1400" OF THE PART NUMBER INDICATES THAT 1400 PCS. OF ST19S020VCA CONNECTORS ARE ACCOMODATED IN ONE REEL.  
 2. THE LABEL IS TO BE ATTACHED ON THE MAGAZINE AS SHOWN, AND DESCRIPTION, QTY, LOT NO, EMBOSS CODE ARE SHOWN.  
 3. REFER TO THE DRAWING, SJ117667 (ST19S020VCA) FOR THE DIMENSION OF THE CONNECTOR.  
 4. IF THERE IS ANOTHER ASSIGNED LABEL, THE LABEL IS TO BE ATTACHED. (REFER TO JACS)

NOTE2.  
 DESCRIPTION: ST19S020VCAR1400  
 QTY : 1400  
 LOT NO : DDMMYY-\* (\*: REEL No.)  
 EMBOSS CODE: TB44 24  
 24: PITCH  
 44: TAPE WIDTH

符号 NO.	名称 DESCRIPTION	個数 QTY.	材料 MATERIAL	仕上 FINISH	備考 REMARKS
4	REEL	1	PLASTIC	-	
3	COVER TAPE	1	POLYESTER	-	
2	CARRIER TAPE	1	PS	-	
1	CONNECTOR	1400	-	-	SJ117667 (ST19S020VCA)

仕様書 (SPECIFICATION) JACS-11162* JAHL-11162*		第1版 (ORIGINAL DATE) 25/NOV/2016		尺度 (SCALE) 1:5		シリーズ (SERIES) ST19		日本航空電子工業株式会社	
一般公差 (GENERAL TOLERANCE) 寸法 (DIMENSION) ±0.8 × ±0.4 ×× ±0.1 ××× ±		角度 (ANGLES) ×° ± ×°×' ± 単位 (UNIT) : mm		製図 DR. 担当 CHK. K. MIKAWA 査閲 APPD. K. KUME 承認 APPD. M. SHIMADA		名称 (TITLE) ST19S020VCAR1400		JAE JAPAN AVIATION ELECTRONICS INDUSTRY, LTD.	
				質量 (MASS) -		図面番号 (DRAWING NO.) SJ117668		版数 (VER.) 2	

DCF-C-212H(12.08)



WISDOM承認 2017/01/24