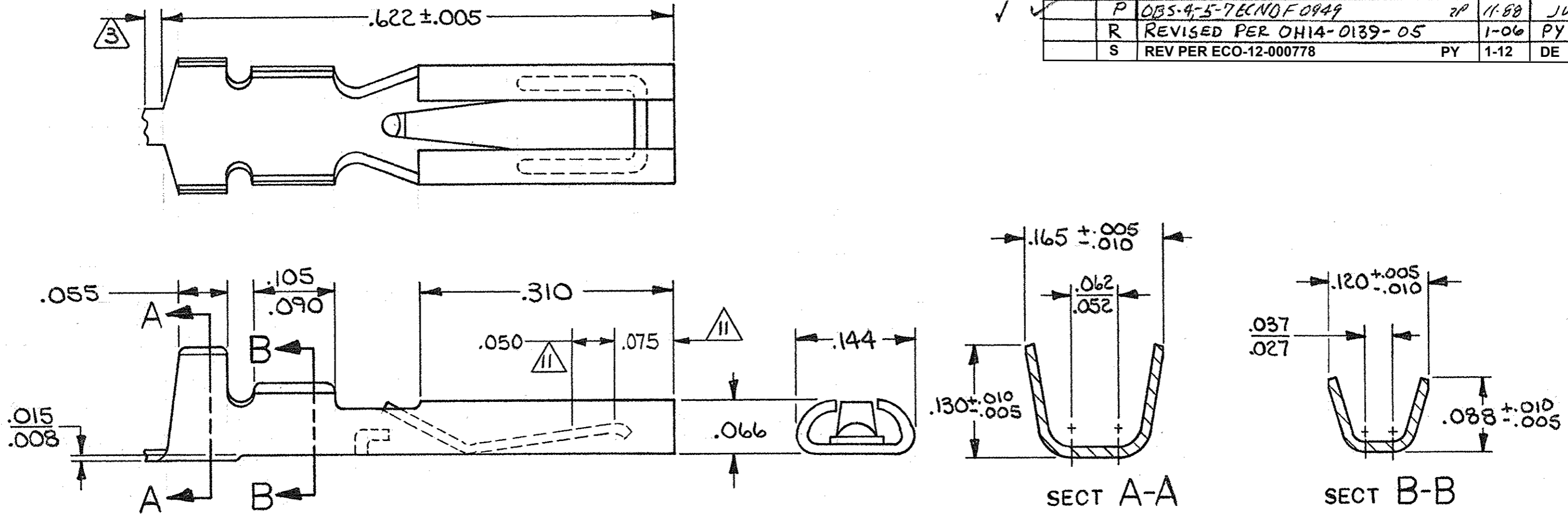


© COPYRIGHT 1981 BY AMP INCORPORATED, HARRISBURG, PA. ALL INTERNATIONAL RIGHTS RESERVED. AMP INCORPORATED PRODUCTS COVERED BY U. S. AND FOREIGN PATENTS AND/OR PATENTS PENDING.

		REVISIONS				
P	F	ZONE	LTR	DESCRIPTION	DATE	APPROVED
01	✓		O1	REVISED PER 8079	8/11/82	EAM
✓	✓		P	OBS-4,5-7 ECNOF 0949	11-88	JW
			R	REVISED PER OH14-0139-05	1-06	PY RG
			S	REV PER ECO-12-000778	1-12	DE



1. FOR CRIMPING INFORMATION SEE SPEC.#108-9201.
2. FOR SUPPLEMENTAL SPECIFICATIONS SEE # 108-9004.
- 3 CUT-OFF TAB FOR LOOSE PIECE PARTS IS .005-.020.
- 4 .000015 GOLD OVER .000030 NICKEL IN CONTACT AREA.
- 5 .000030 GOLD OVER .000030 NICKEL IN CONTACT AREA.
- 6 .000050 GOLD OVER .000030 NICKEL IN CONTACT AREA.
- 7 MAT'L = PHOS. BRONZE
- 8 INSUL. RANGE : .054 - .090 OR 2(.045-.072)
- 9 WIRE RANGE: 1-#18, 2-#20 OR 2-#22
- 10 .000100 TIN-LEAD OVER .000030 NICKEL ON WIRE BARREL.
- 11 THE GOLD COVERED AREA WILL BE THE .125 BAND. THE GOLD THICKNESS IS TO BE MEASURED IN THE .050 WIDE BAND.
- 13 .000100 TIN OVER .000030 NICKEL IN WIRE BARREL

OBSOLETE	—	9	8	5	13	5-531589-3	
OBSOLETE	531589-7	9	8	12	6	10	531589-4
	531589-6	9	8	5	10	531589-3	
OBSOLETE	531589-5	9	8	4	10	531589-2	

		L.P. P/N	WIRE RANGE	INSULATION RANGE	FINISH	PART NO
UNLESS OTHERWISE SPECIFIED DIMENSIONS ARE IN INCHES. TOLERANCES ON: DECIMALS $\pm .010$ ANGLES	CONTRACT NO	AMP INCORPORATED Harrisburg, Pa.				
	DR	AMP BLADE II RECEPTACLE CONTACT				
MATERIAL	CHK	AMP				
FINISH	APPD	AMP				
	APPD	AMP				
	DSGN APPD	SIZE	CODE IDENT NO	DRAWING NO		
	OTHER APPD	B	00779	531589		
		SCALE	8-1	SHEET		OF 1