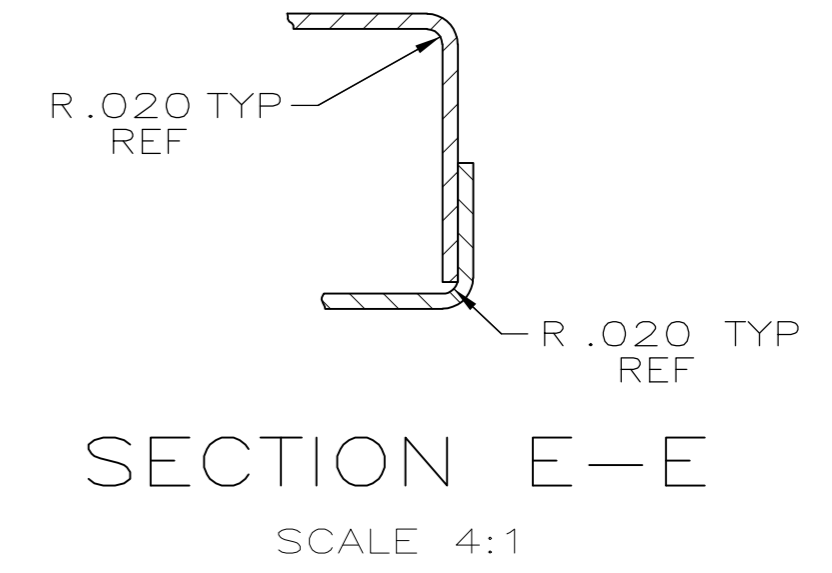
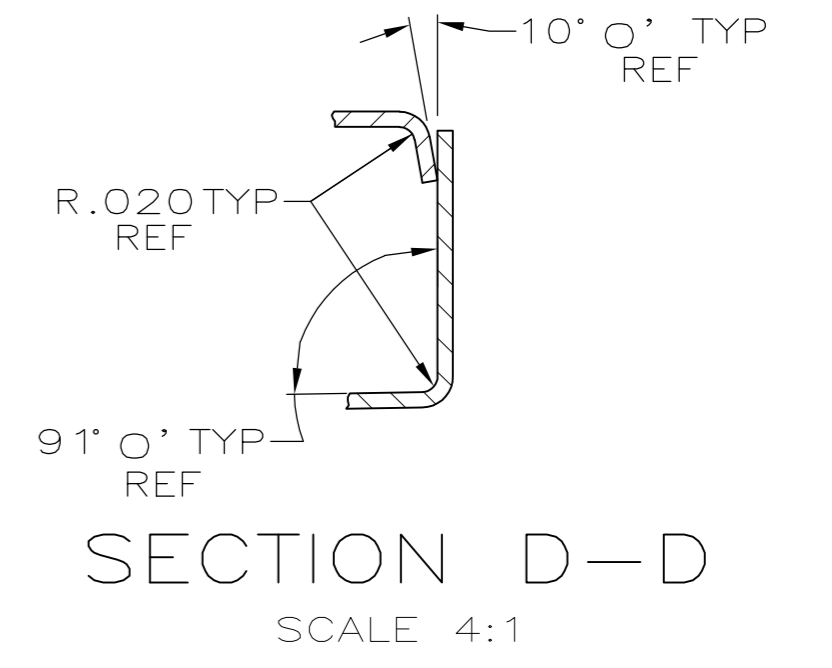
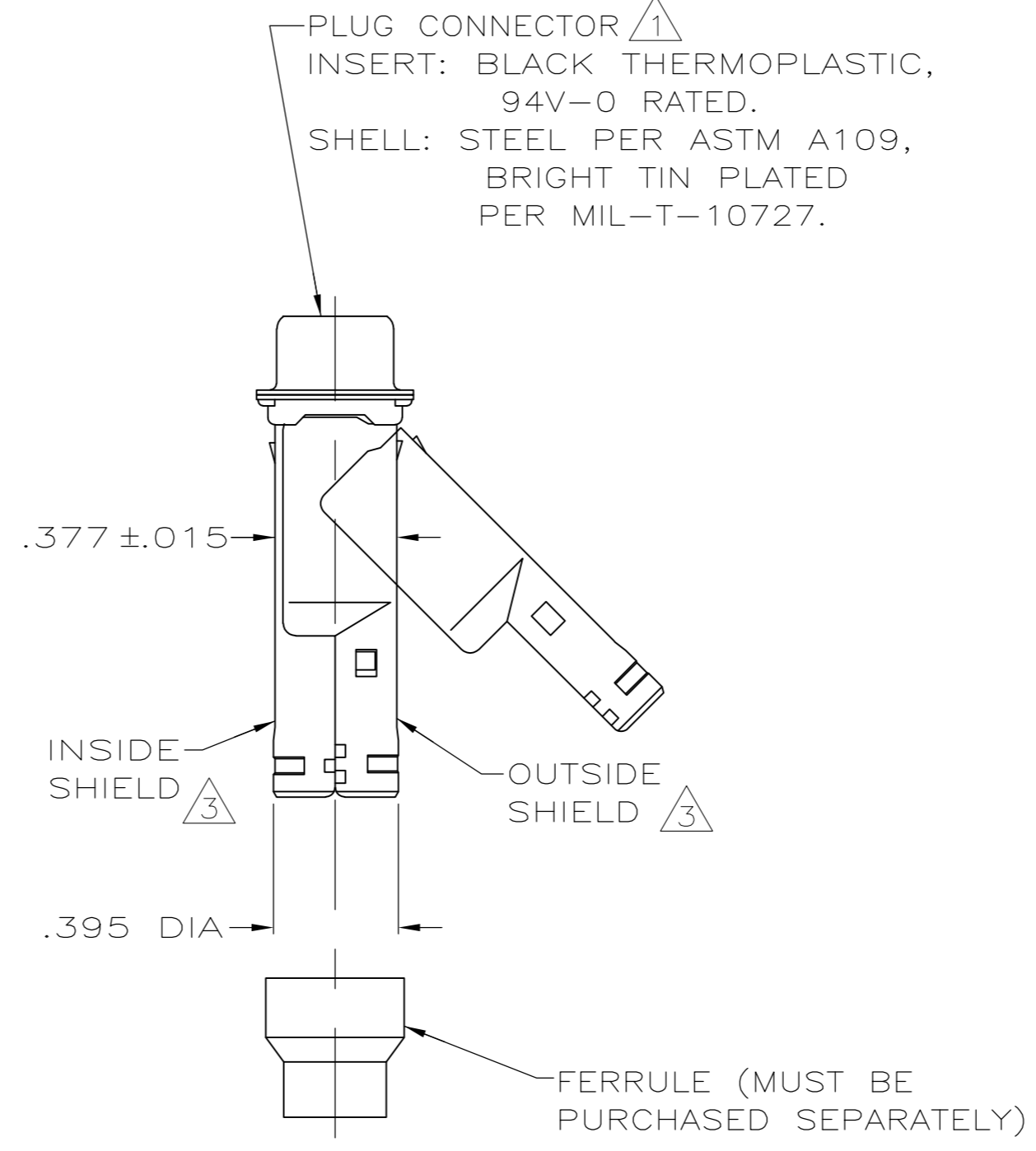
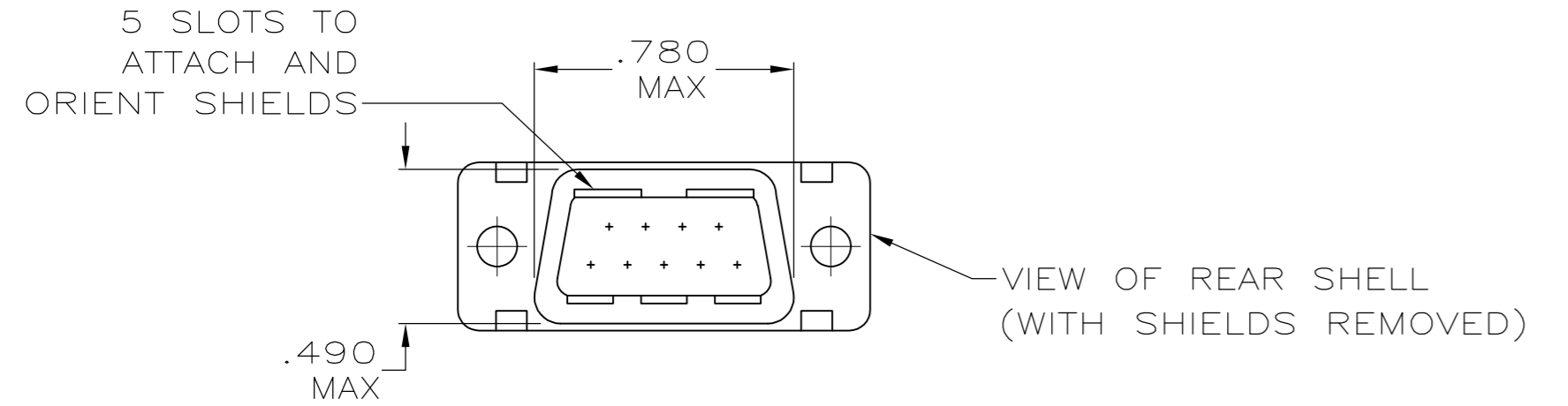
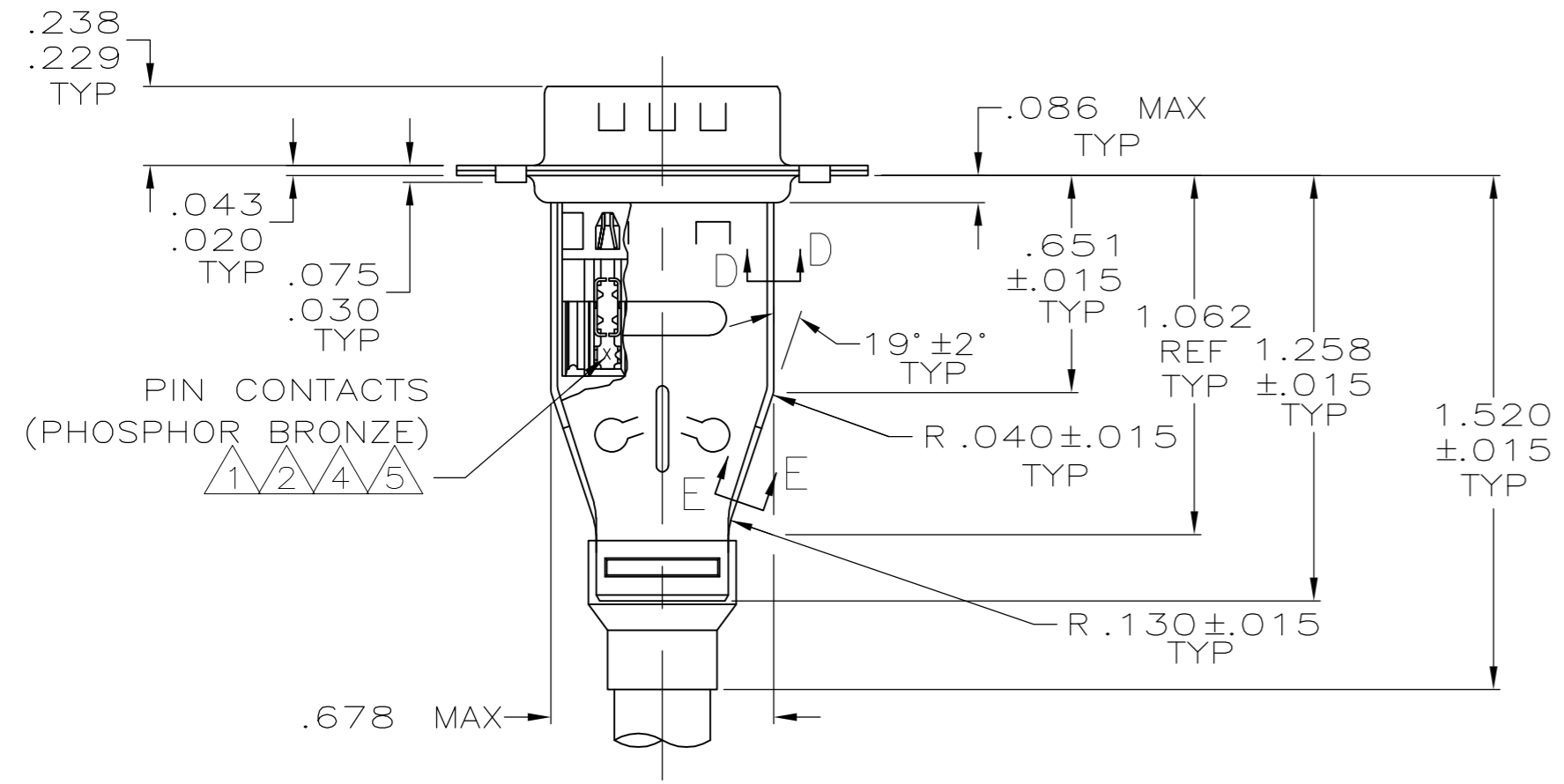
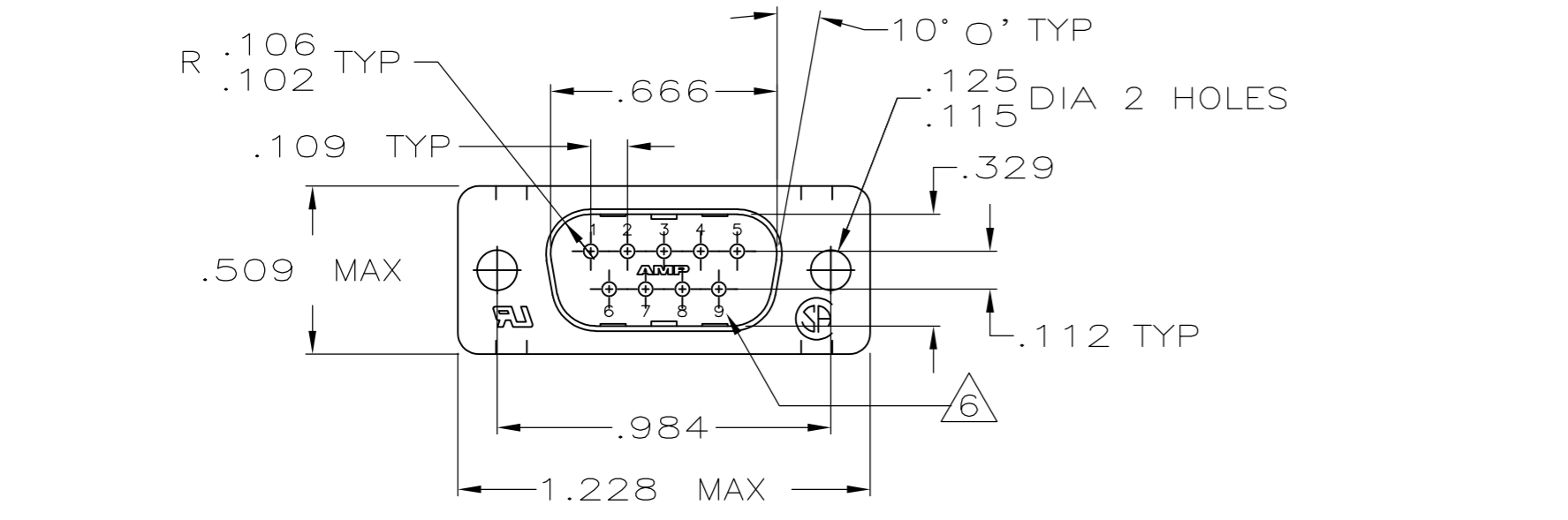


LOC	DIST	REVISIONS					
		P	LTR	DESCRIPTION	DATE	DWN	APVD
GP	00	M1		REVISED PER ECO-11-004835	11MAR11	RK	HMR



- ⚠️ PLUG CONNECTOR FULLY LOADED WITH CONTACTS. ALL OTHER PARTS SHIPPED UNASSEMBLED (EACH PART INDIVIDUALLY BULK PACKED).
- ⚠️ NUMBER ON CONTACT INDICATES WIRE RANGE.
- ⚠️ SHIELDS: MATERIAL—.020 THICK STEEL, TIN PLATED.
- ⚠️ CONTACTS PLATED GOLD PLATED FOR LENGTH OF .150 MIN FROM MATING END, .000030 MIN GOLD IN MATED AREA. .000100—.000200 BRIGHT TIN OR BRIGHT IN TIN-LEAD IN WIRE TERMINATION AREA. .000050 NICKEL UNDERPLATE ON ENTIRE CONTACT.
- ⚠️ CONTACTS PLATED GOLD PLATED FOR LENGTH OF .150 MIN FROM MATING END, GOLD FLASH IN MATED AREA. .000100—.000200 BRIGHT TIN OR BRIGHT IN TIN-LEAD IN WIRE TERMINATION AREA. .000030 NICKEL UNDERPLATE ON ENTIRE CONTACT.
- ⚠️ RAISED CAVITY IDENTIFICATION AND AMP TRADEMARK.
- ⚠️ CONTACTS GOLD PLATED FOR A LENGTH OF .150 MIN FROM MATING END, .000030 MIN GOLD IN MATED AREA, .000100—.000200 MATTE TIN IN WIRE TERMINATION AREA, ALL OVER .000050 MIN NICKEL UNDERPLATE ON ENTIRE CONTACT.
OR
CONTACTS GOLD PLATED FOR A LENGTH OF .150 MIN FROM MATING END, GOLD FLASH OVER PALLADIUM-NICKEL, .000030 MIN TOTAL IN MATED AREA, .000100—.000200 MATTE TIN IN WIRE TERMINATION AREA, ALL OVER .000050 MIN NICKEL UNDERPLATE ON ENTIRE CONTACT.

OBSOLETE	⚠️	3	#20-22	747515-8
	⚠️	2	#22-26	747515-7
OBSOLETE	⚠️	3	#20-22	747515-6
OBSOLETE	⚠️	2	#22-26	747515-5
OBSOLETE	⚠️	1	#26-30	747515-4
OBSOLETE	⚠️	3	#20-22	747515-3
OBSOLETE	⚠️	2	#22-26	747515-2
OBSOLETE	⚠️	1	#26-30	747515-1
	CONTACT FINISH	⚠️	WIRE RANGE	PART NUMBER

THIS DRAWING IS A CONTROLLED DOCUMENT.

DIMENSIONS: INCHES	TOLERANCES UNLESS OTHERWISE SPECIFIED:	DWN L. VARELA - DOCK5 11-16-04	CHK J. GERACE 11-16-04	APVD M. WALMSLEY 11-16-04	NAME
0 PLC ± -	1 PLC ± -	2 PLC ± -	3 PLC ± .005	4 PLC ± -	ANGLES ± 0° 30'
MATERIAL SEE CALL-OUTS	FINISH SEE TABLE	PRODUCT SPEC 108-40011 & 108-40030	APPLICATION SPEC 114-40002	WEIGHT -	SIZE A2
		CAGE CODE 00779	DRAWING NO C=747515	RESTRICTED TO -	SCALE 2:1
		CUSTOMER DRAWING	SHEET 1 OF 1	REV M1	

TE TE Connectivity
 KIT, PLUG, SHIELDING HARDWARE, SIZE 1, 9 POSN, HDE-20, AMPLIMITE