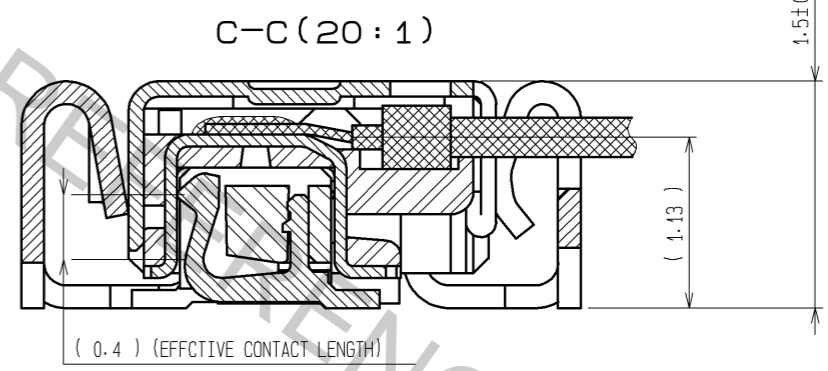
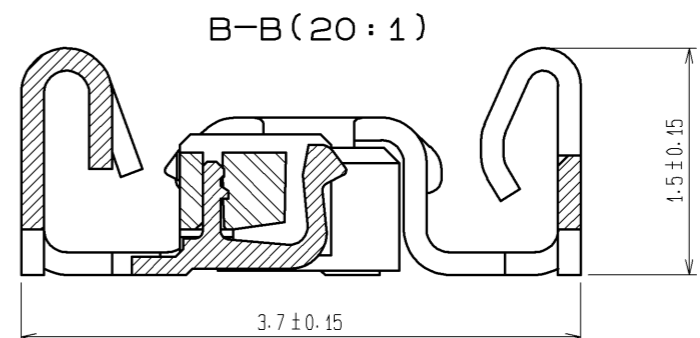
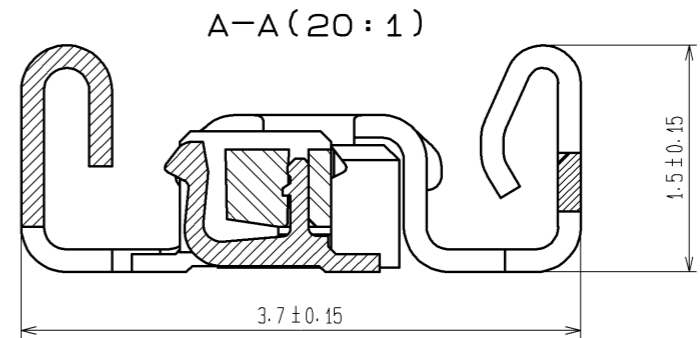
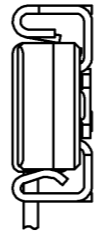
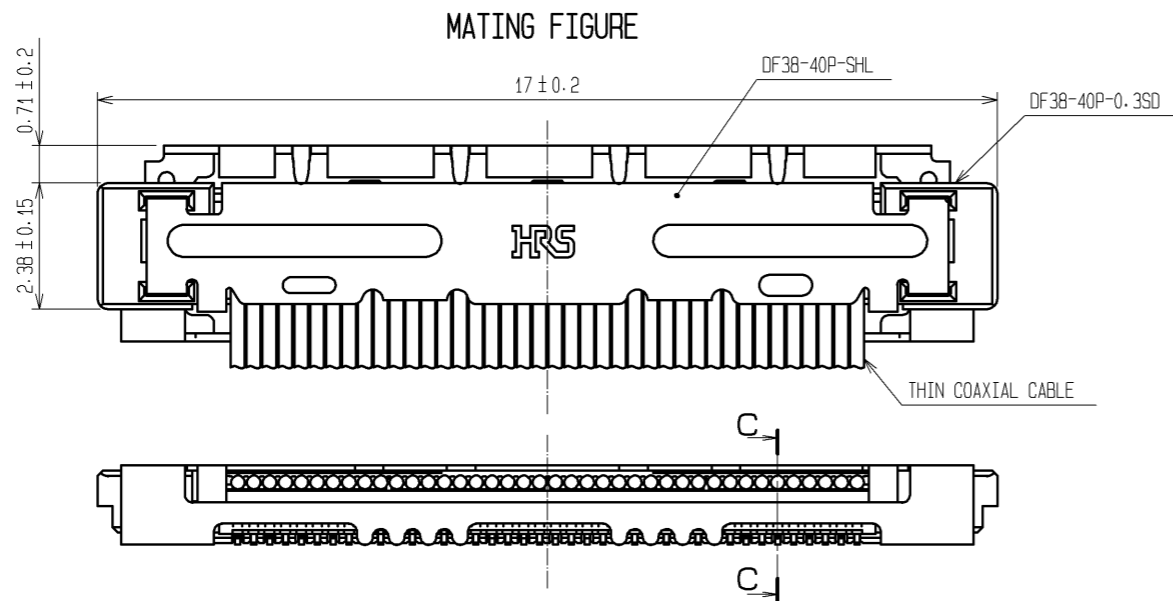
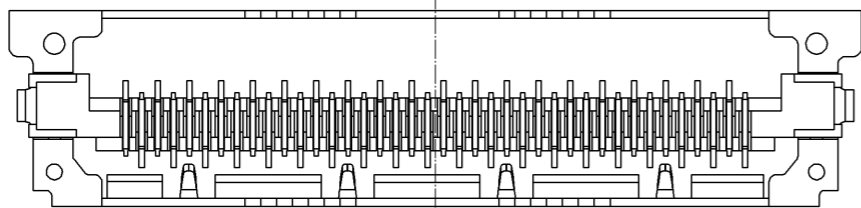
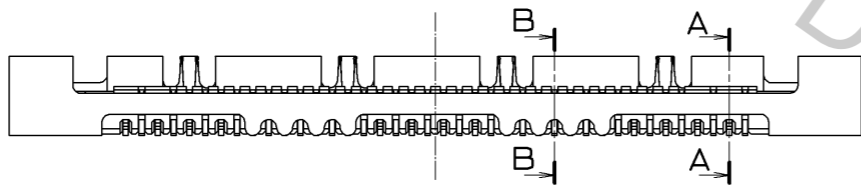
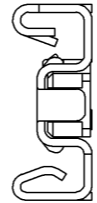
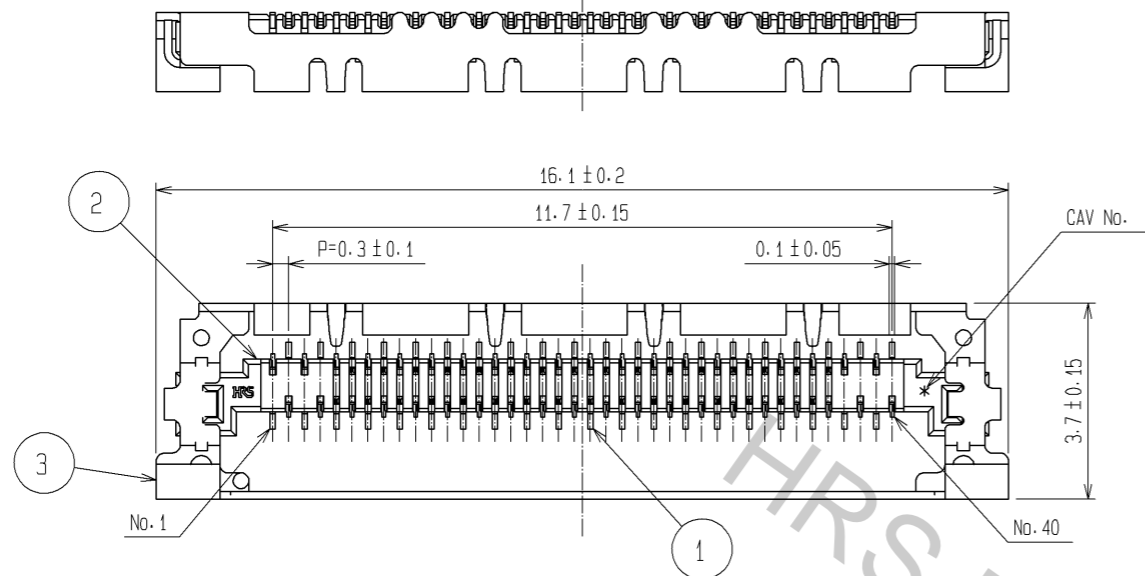


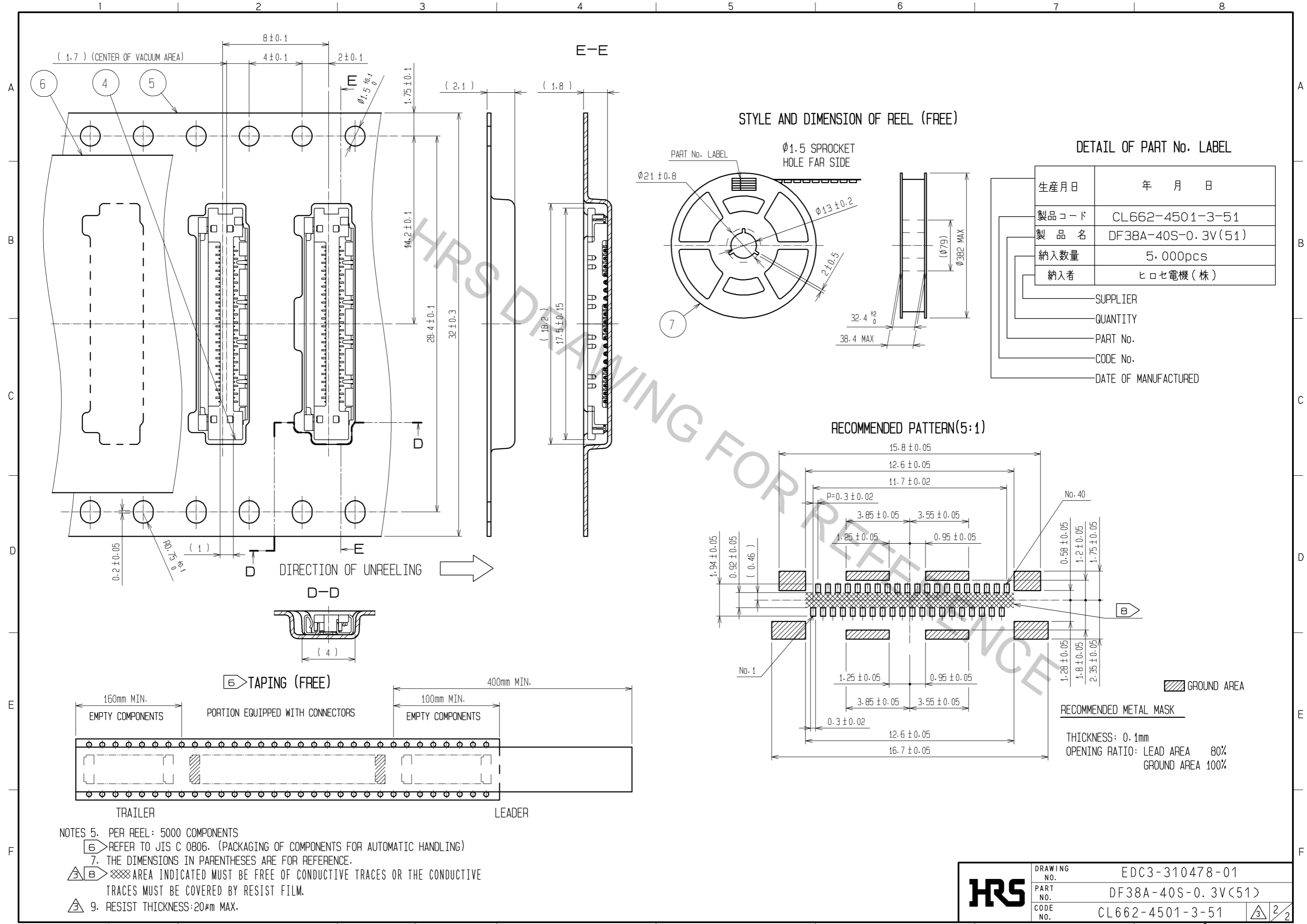
1 2 3 4 5 6 7 8

A  
B  
C  
D  
E  
F



- NOTES
1. LEAD CO-PLANARITY SHALL BE 0.1mm MAX.
  2. STIFFENER IS REQUIRED FOR MOUNTING ONTO FPC IN ORDER TO AVOID STRESS BY FPC SLACKING TO MOUNTED CONNECTOR.
  3. UNMATING SHALL BE DONE WITH THE SPECIFIC EXTRACTION TOOL.
  4. SOLDERING REWORK IS NOT POSSIBLE SINCE SOLDERING LEADS ARE COVERED BY METAL SHIELDING.

2	LCP	UL94V-0	7	PS	BLACK
1	PHOSPHOR BRONZE	CONTACT AREA : Au PLATING 0.1µm min LEAD AREA : Au PLATING 0.1µm min UNDER PLATING : Ni PLATING 1µm min	6	POLYESTER	CLEAR
			5	PS	CLEAR
			4	POLYAMIDE	BLACK (CAP)
			3	PHOSPHOR BRONZE	WHOLE AREA : Sn PLATING 1µm min UNDER PLATING : Cu PLATING 0.2µm min
NO.	MATERIAL	FINISH . REMARKS	NO.	MATERIAL	FINISH . REMARKS
UNITS mm		SCALE FREE	COUNT 2	DESCRIPTION OF REVISIONS DIS-H-004511	
APPROVED : TY. OMA 07.06.05			DESIGNED	KT. ISHII	
CHECKED : TS. SAKATA 07.06.05			CHECKED	TS. FUKUSHIMA	
DESIGNED : SZ. ONO 07.06.05			DATE	10.03.10	
DRAWN : SZ. ONO 07.06.05			DRAWING NO. EDC3-310478-01		
<b>HRS</b> HIROSE ELECTRIC CO., LTD.			PART NO. DF38A-40S-0.3V(51)		
			CODE NO. CL662-4501-3-51		
			1/2		



<b>HRS</b>	DRAWING NO.	EDC3-310478-01
	PART NO.	DF38A-40S-0.3V(51)
	CODE NO.	CL662-4501-3-51
		2/2