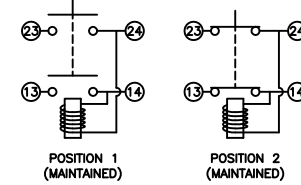


SCHEMATIC



SPECIFICATIONS

FUNCTION:
2P1T OFF-ON
Auto OFF Below Calibration Voltage

RATINGS:
ANSI/UL 508 and CAN/CSA C22.2 No.14 (E195908):
16A 220-240VAC [cURus]
2HP 220-240VAC (12A FLA, 72A LRA) [cURus]

CALIBRATION VOLTAGE:
Use: 230V 60Hz
Release: 120-160V

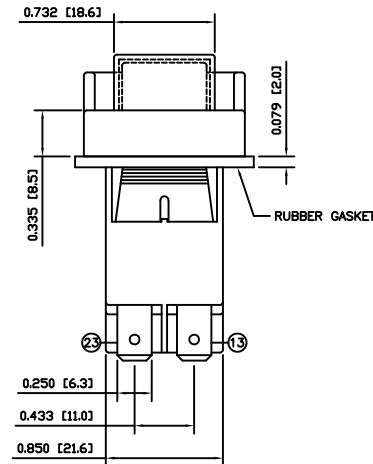
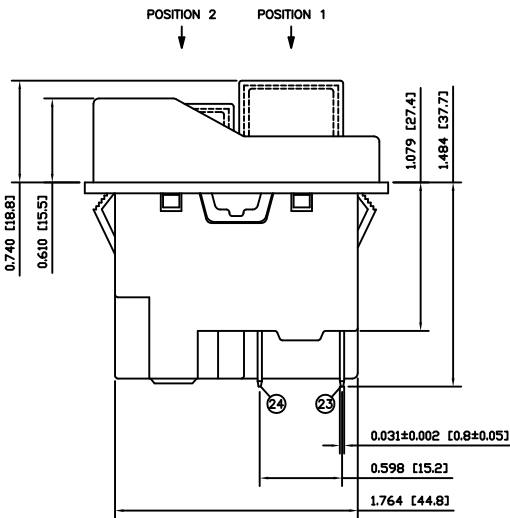
ELECTRICAL LIFE:
6,000 Cycles [cURus]

INGRESS PROTECTION:
IP55

APPROVALS:

A

A



COLORS AND MARKINGS

BEZEL:
Black

ACTUATOR:
ON: Green
OFF: Red

MARKING:
I/O Vertical (1)

MARKING COLOR:
White

MATERIALS

UPPER BODY:
Polyamide 6/6 (PA66)

LOWER BODY:
Polyamide 6/6 (PA66+G10)

BEZEL:
Polyamide 6/6 (PA66+G10)

ACTUATORS:
Polyamide 6/6 (PA66)

MOUNTING EARS:
Polyamide 6/6 (PA66)

COVER:
Polyvinyl Chloride (PVC)

CONTACTS:
Silver Alloy Clad Copper (AgSnO/Cu)

TERMINALS:
Brass

GASKET:
Rubber

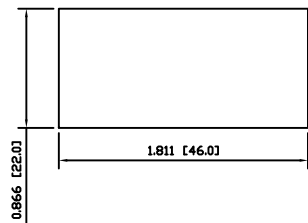
B

B

C

C

SUGGESTED PANEL CUTOUT



D

D

BODY	A	09/08/07	CAB
COLORS	A	09/08/07	CAB
MATERIALS	A	09/08/07	CAB
SPECIFICATIONS	A	09/08/07	CAB
REFERENCE	REV.	DATE	BY

THE INFORMATION CONTAINED IN THIS DOCUMENT IS PROPRIETARY TO E-SWITCH AND IS NOT TO BE COPIED OR TRANSFERRED

A	INITIAL RELEASE	19631	11/02/11	CAB
REV.	DESCRIPTION	PCR	DATE	DRAWN BY

DIMENSIONS	
INCHES [MILLIMETERS]	
GENERAL TOLERANCES	
±0.020 [±0.5] / ±1'	
SCALE	PROJECTION
DRAWING NOT TO SCALE	

TITLE		
KJD17-21413-112		
ITEM NUMBER	DATE	REVISION
34-KJD1721413112	FEBRUARY 11, 2011	A