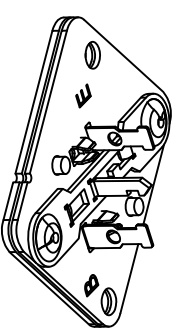
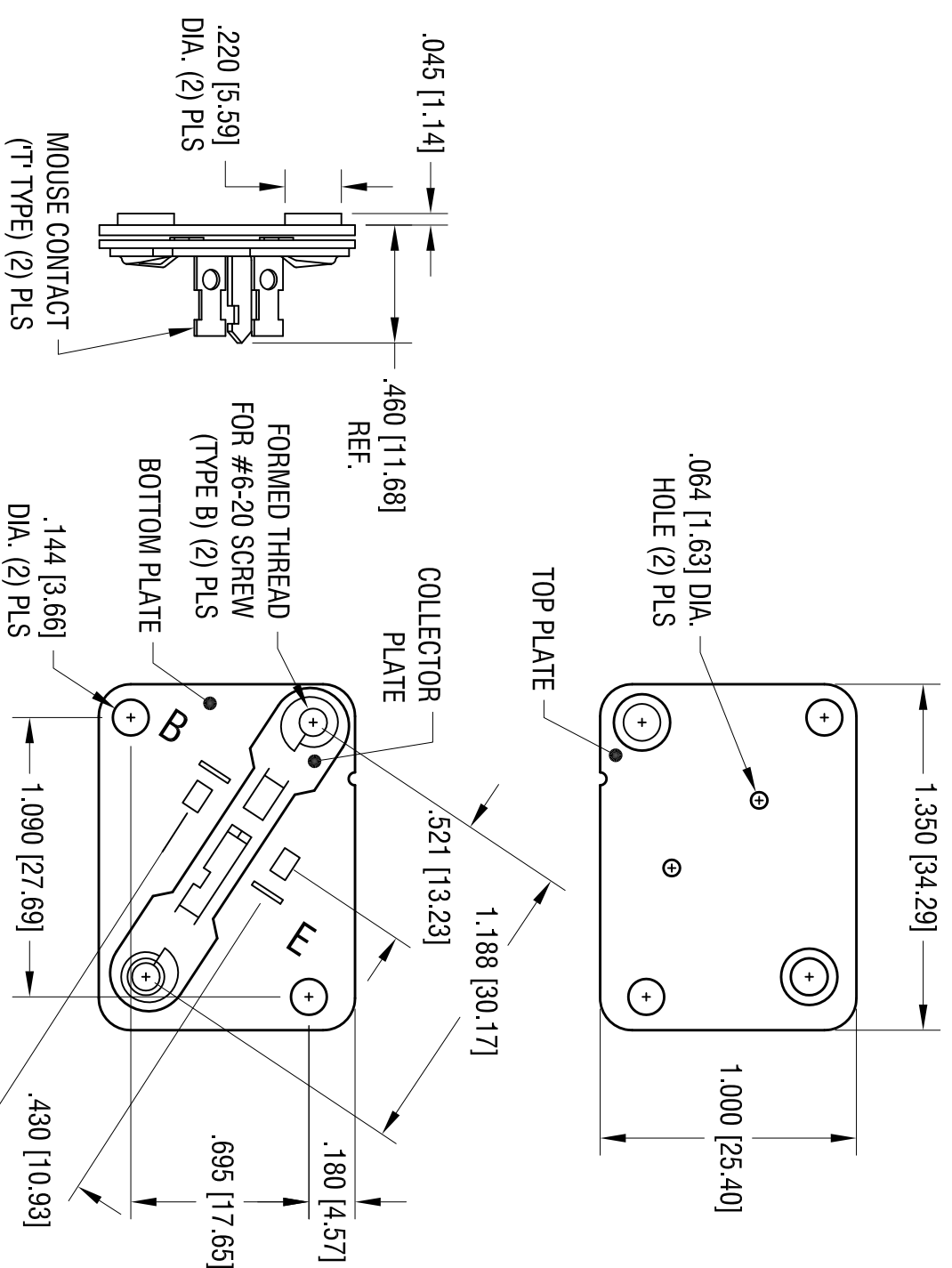


| DATE | DESCRIPTION | REV. |
|------|-------------|------|
| | | |



NOTES:

- TOP PLATE: COLOR - BLACK
- MAT'L - NYLON 6/6 UL 94V-2
- BOTTOM PLATE: MAT'L - .032 [0.81] THK PHENOLIC
- COLLECTOR PLATE: MAT'L - .032 [0.81] THK STEEL
- FINISH - TIN PLATE
- MOUSE CONTACT (T^r TYPE): MAT'L - .013 [0.33] THK BRASS
- FINISH - TIN PLATE

KEYSTONE ELECTRONICS CORP.

www.keystone.com • NEW HYDE PARK, NY 11040 • Tel (516) 328-7500

PART NAME

TO-3 POWER TRANSISTOR SOCKET

MATERIAL

AS NOTED

FINISH

AS NOTED

| TOLERANCES | INCH | [MM] | CODE | DWG NO. |
|----------------------------|--------|-----------|------|---------|
| DECIMAL | ± .005 | [± 0.13] | C | 4607 |
| ANGULAR | ± 1° | | | |
| UNLESS OTHERWISE SPECIFIED | | | | |

| DRN BY | DATE |
|--------|---------|
| BOONE | 3.14.07 |
| App'D | SCALE |
| LN | 1.5X |

THIS DOCUMENT IS THE PROPERTY OF KEYSTONE ELECTRONICS CORP. AND SHALL NOT BE REPRODUCED, DISTRIBUTED OR USED AS A BASIS FOR MANUFACTURE WITHOUT PRIOR WRITTEN PERMISSION FROM KEYSTONE ELECTRONICS CORP.