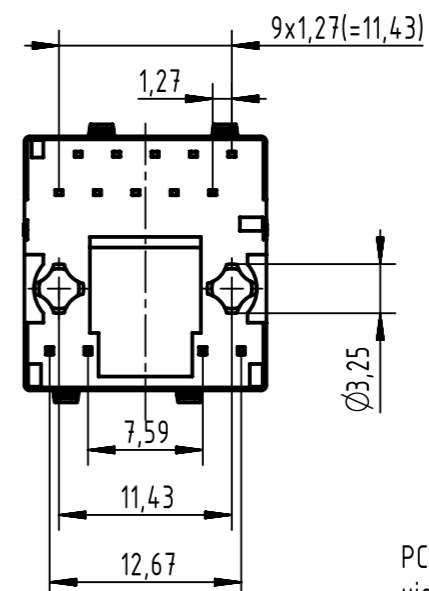
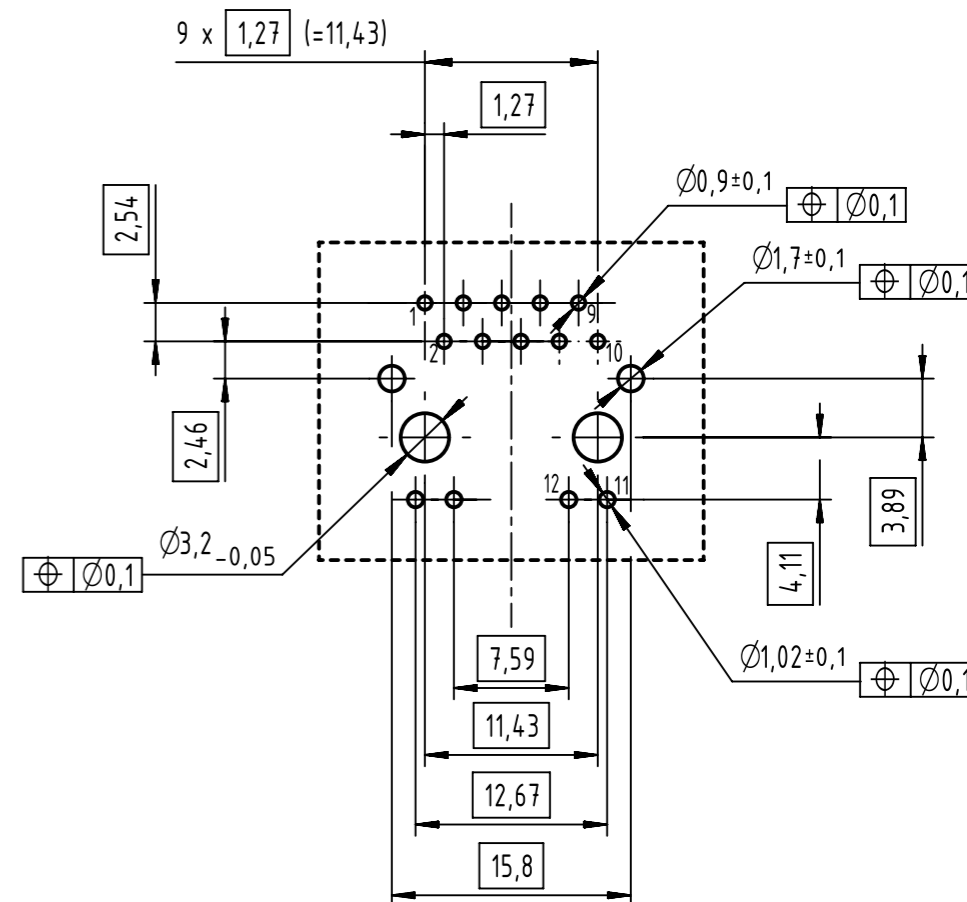
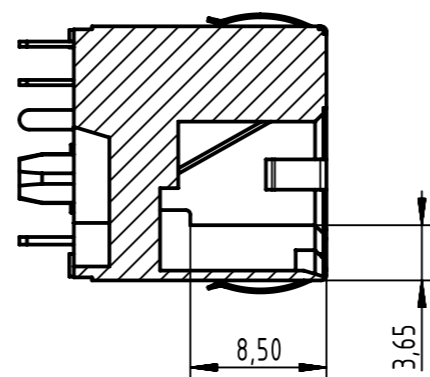
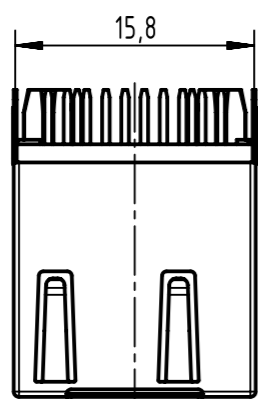


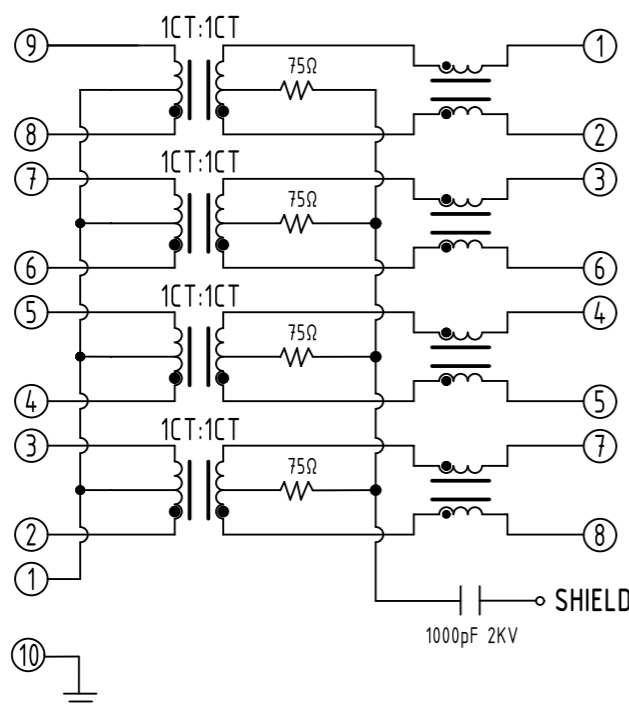
A-A



PC-Board layout
view component side
thickness up to 2,4 mm



Schematic



RJ45 Connector

LED DISPLAY	
LED 2	LED 1
YELLOW 14 •	YELLOW 12 •
• 13 GREEN	• 11 GREEN

PC Board Connections

	All rights reserved Department EL PD	All Dimensions in mm Original Size DIN A3	Scale 2:1	Free size tol.	Ref. Sub.
	HARTING Electronics GmbH D-32339 Espelkamp	Created by FARCASIU	Inspected by POPESCU	Standardisation HOFFMANN	Date 2018-09-26
Title RJ45 jack 1Gbit vert. biCo LED gn/ye				State Final Release	
Type TB				Number 09455511141	
				Doc-Key / ECM-Nr. 100804939/UGD/000/C 500000140639	
				Rev. C Page 1/1	