

DETAILS

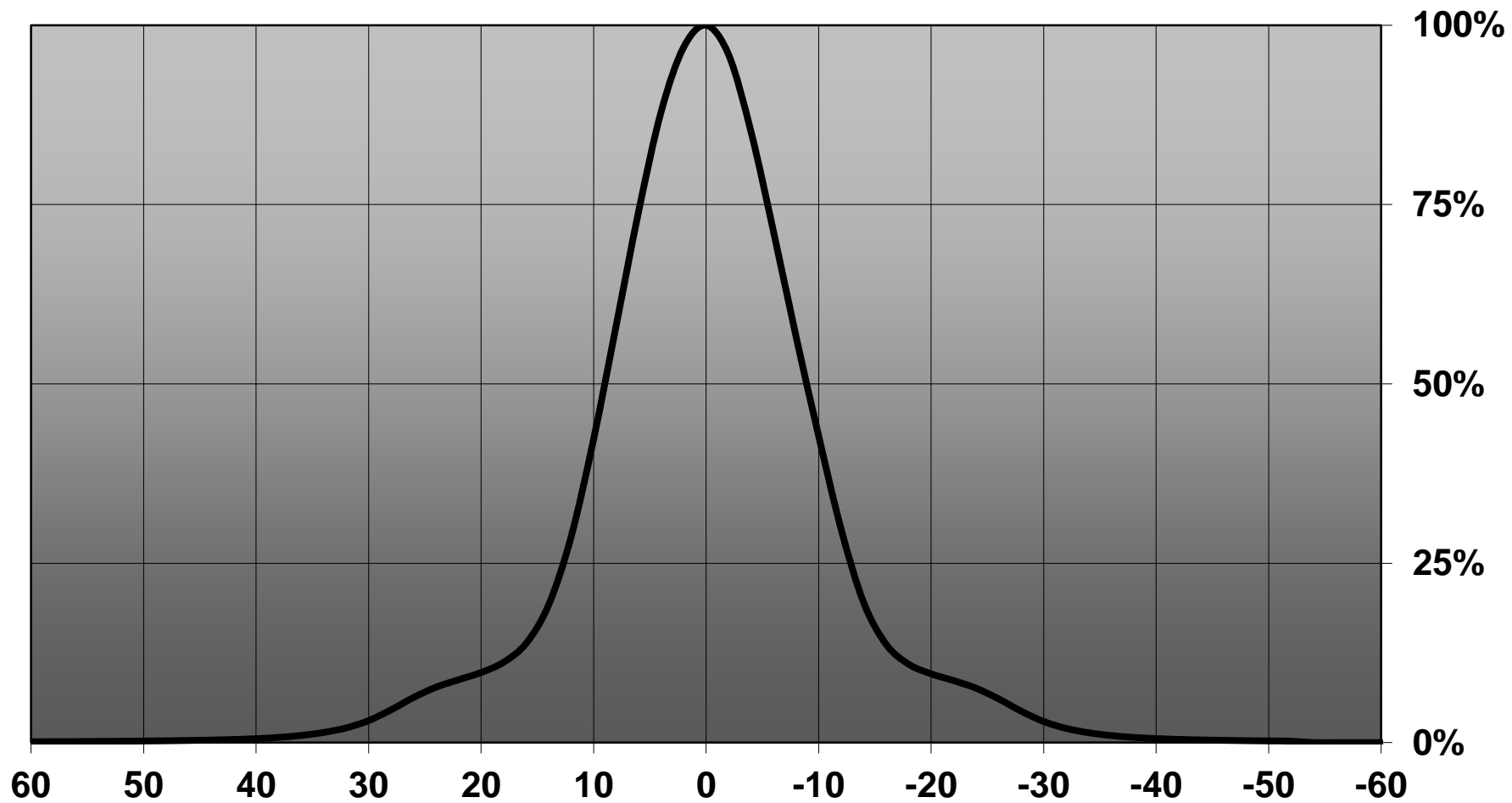
Product Number	CN13191_LENA-M-DL
Family	Lena
Type	RefPack
Color	metal
Diameter	111 mm
Height	89,1 mm
Style	round
Optic Material	PC
Holder Material	
Fastening	screw, socket
Status	production ready
ROHS Compliant	Yes
Date Updated	30/06/2014

OPTICAL PROPERTIES

LED	Viewing Angle	Light Beam	Efficiency	cd/lm	Connector
V10 Gen6	18 deg	Medium	75 %	5.230	-
CXAB 15xx	17 deg	Medium	79 %	5.290	-



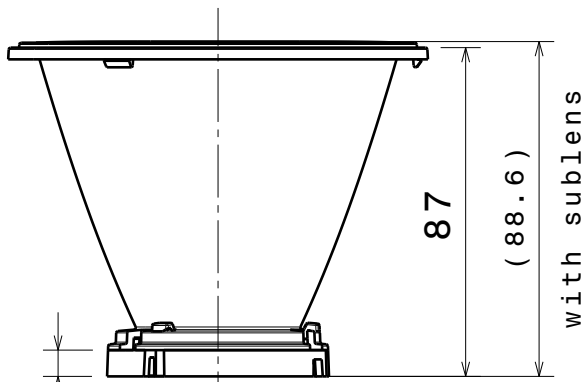
Relative intensity of CN13191_LENA-M-DL_(V10)



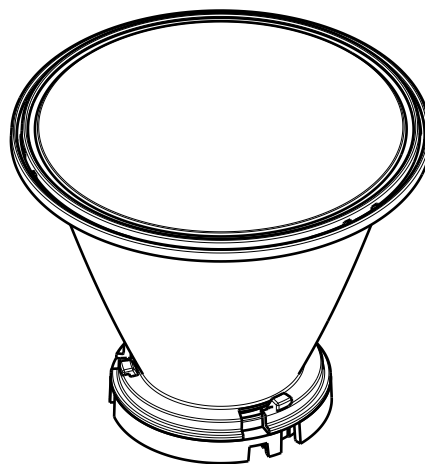
D C B A

4

4



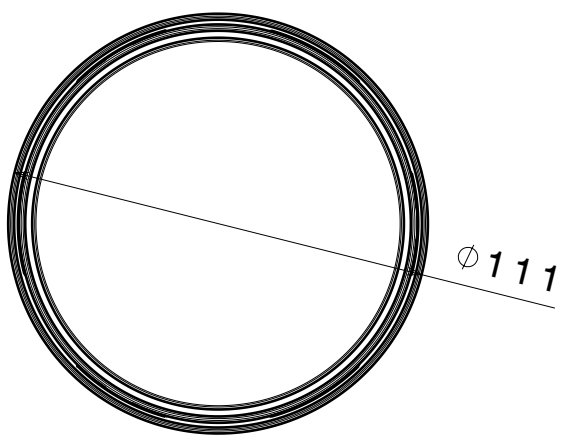
Front view



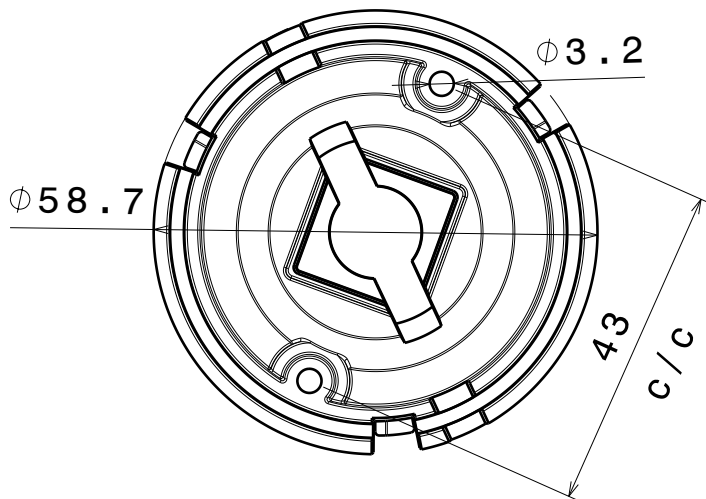
Isometric view

3

3



Top view



Materials

Reflector: PC
Base part: PC
Sublens: PC

Note: using additional sublens
add 1.6mm to total height

2

2

This drawing is our property.
It can't be reproduced
or communicated without
our written agreement.



Ledil Oy
Salorankatu 10
FIN 24240 SALO
Finland

DRAWING TITLE Mechanical drawing

DRAWN BY
as

DATE
17.10.2012

LENA-CXA15

CHECKED BY
-

DATE
-

SIZE
A4

PART NUMBER
-

REV
001

DESIGNED BY
as

DATE
-

SCALE 1:2

WEIGHT - g

SHEET 1/1

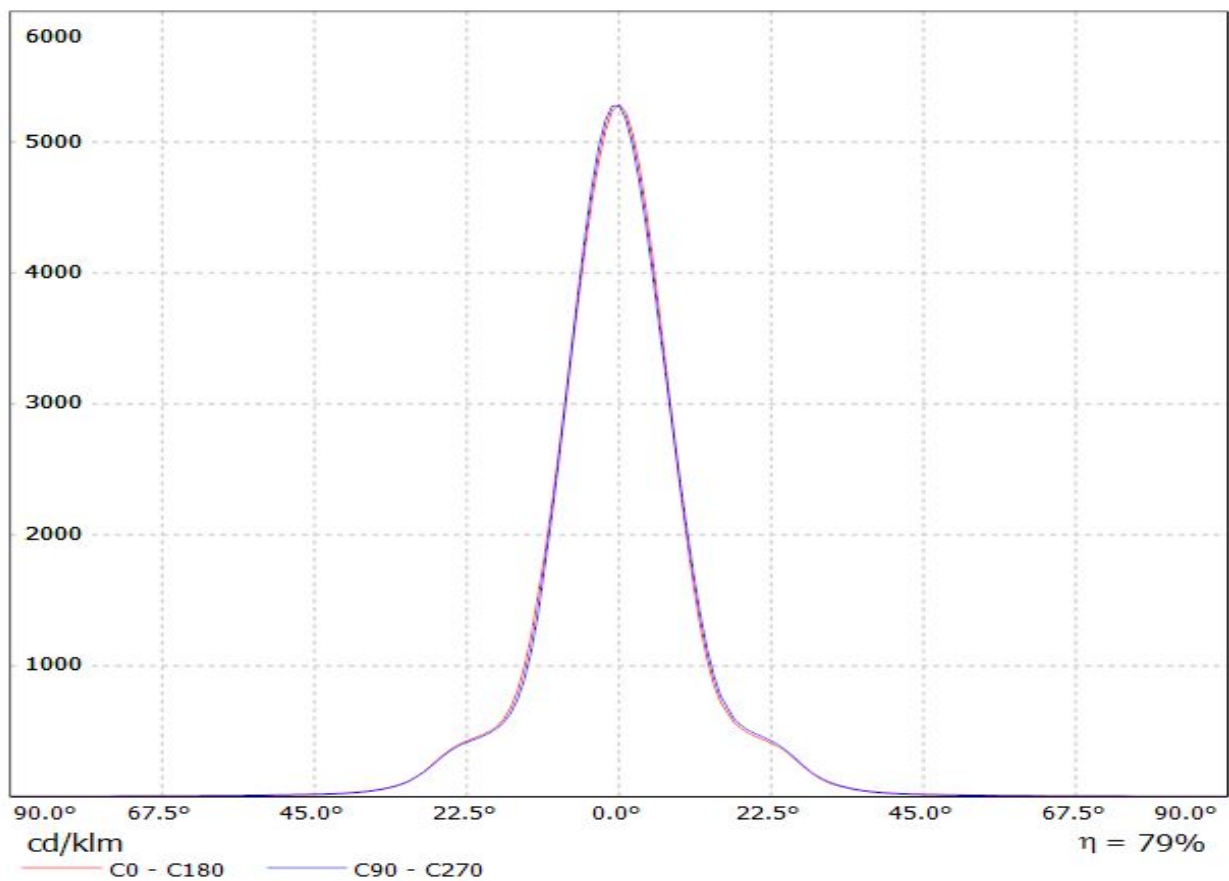
1

1

D A

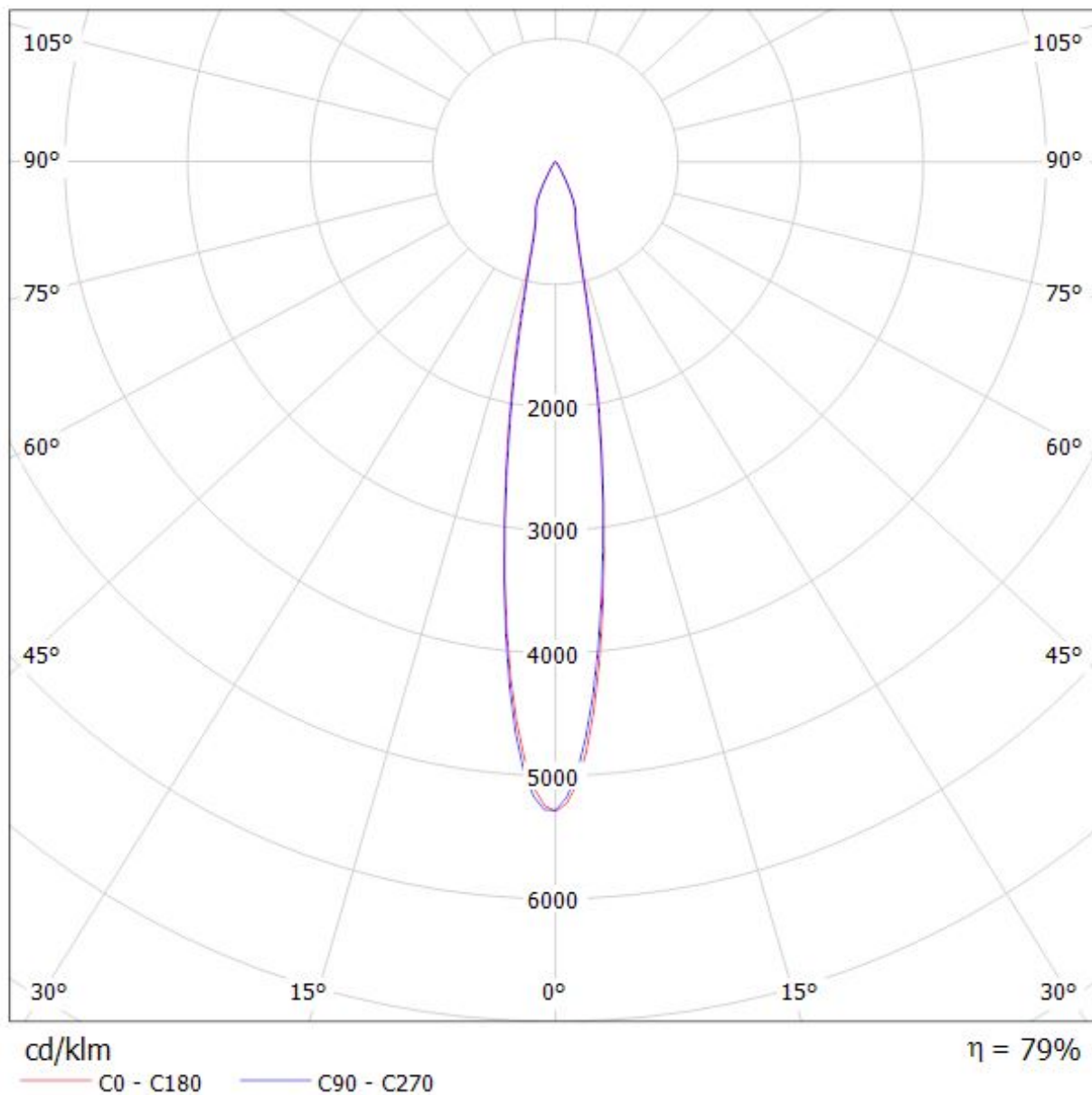
Luminaire: LEDiL Oy CN13191_LENA-M-DL_(CXA1520) Eff.82.1

Lamps: 1 x CREE_CXA1520_(CXA1520-30F-N4-N0H-0001)_972.29@250mA_CCT=3000K_P=8.22841W_I=249.8mA



Luminaire: LEDiL Oy CN13191_LENA-M-DL_(CXA1520) Eff.82.1

Lamps: 1 x CREE_CXA1520_(CXA1520-30F-N4-N0H-0001)_972.29@250mA_CCT=3000K_P=8.22841W_I=249.8mA



NOTE: The typical divergence will be changed by different color, chip size and chip position tolerance. The typical total divergence is the full angle measured where the luminous intensity is half of the peak value.

GENERAL INFORMATION

- Product series especially designed & optimized for series of LEDs.
- Special care taken to make light distribution as uniform as possible.

Note! Due to use of high power COB's with this product, special attention to proper thermal design is highly recommended. LEDiL has no liability for direct, indirect or consecutive damages arising from the LEDiL products being used outside of the recommended temperature range.