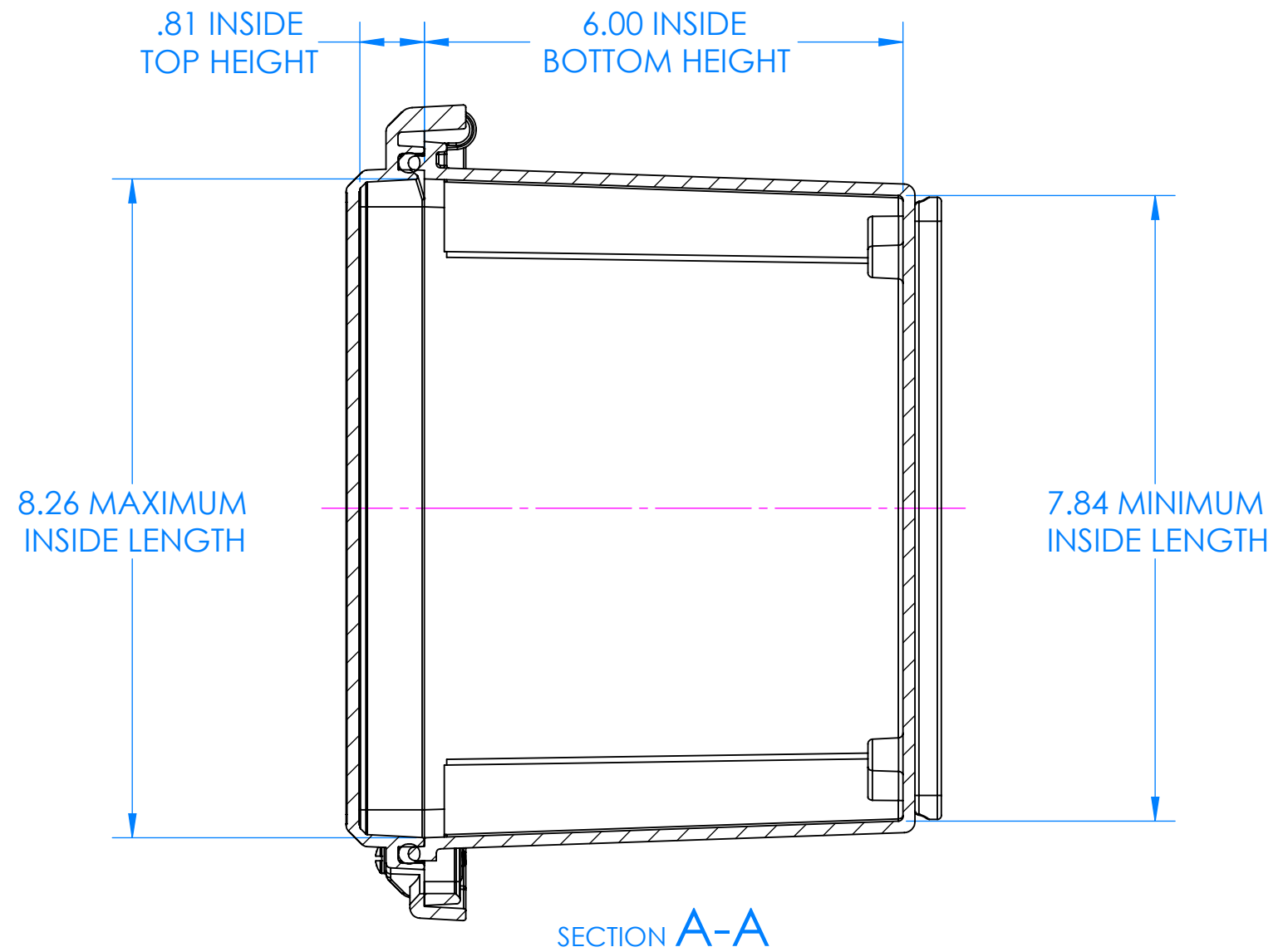
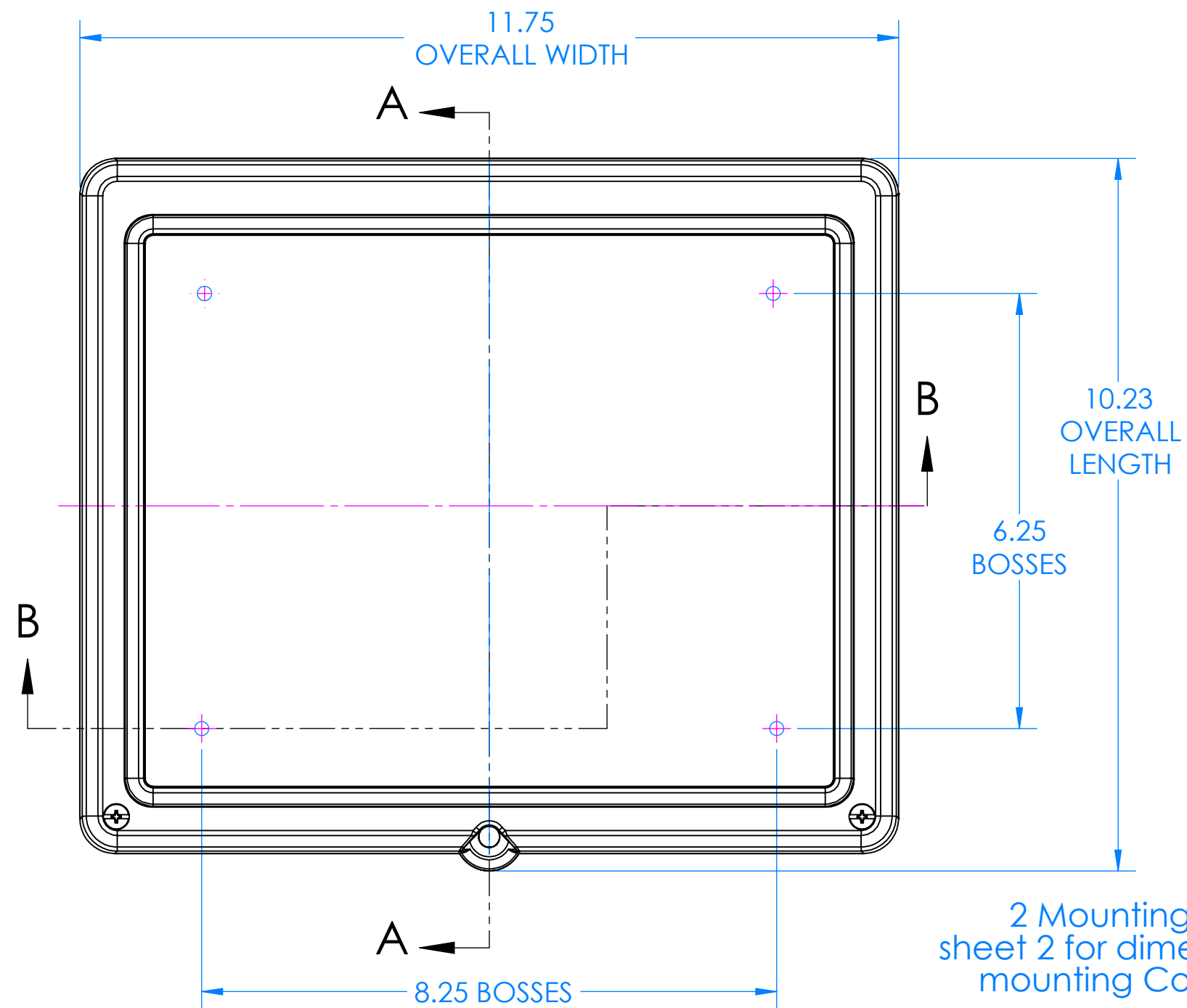
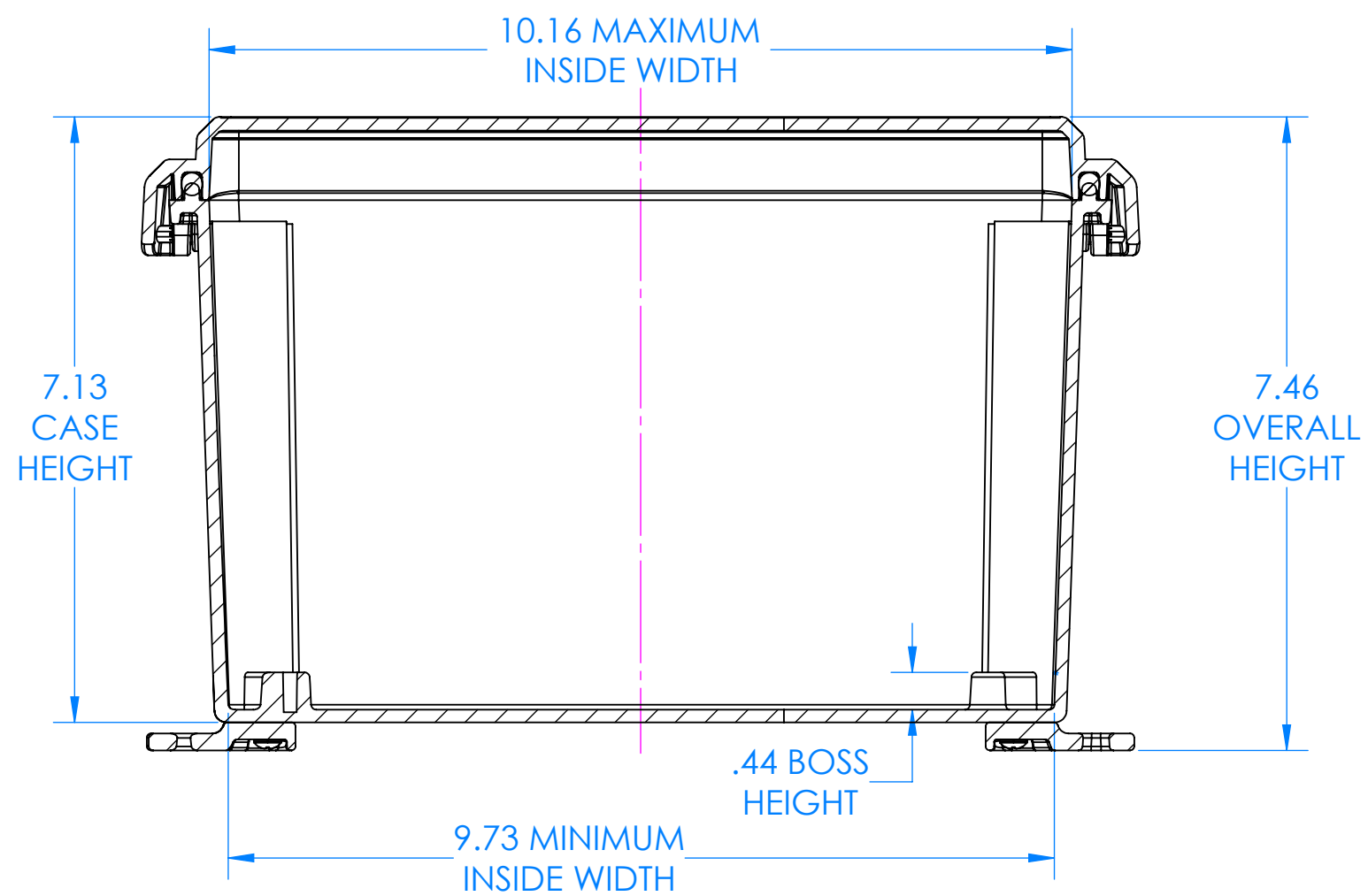


SERPAC I352HS

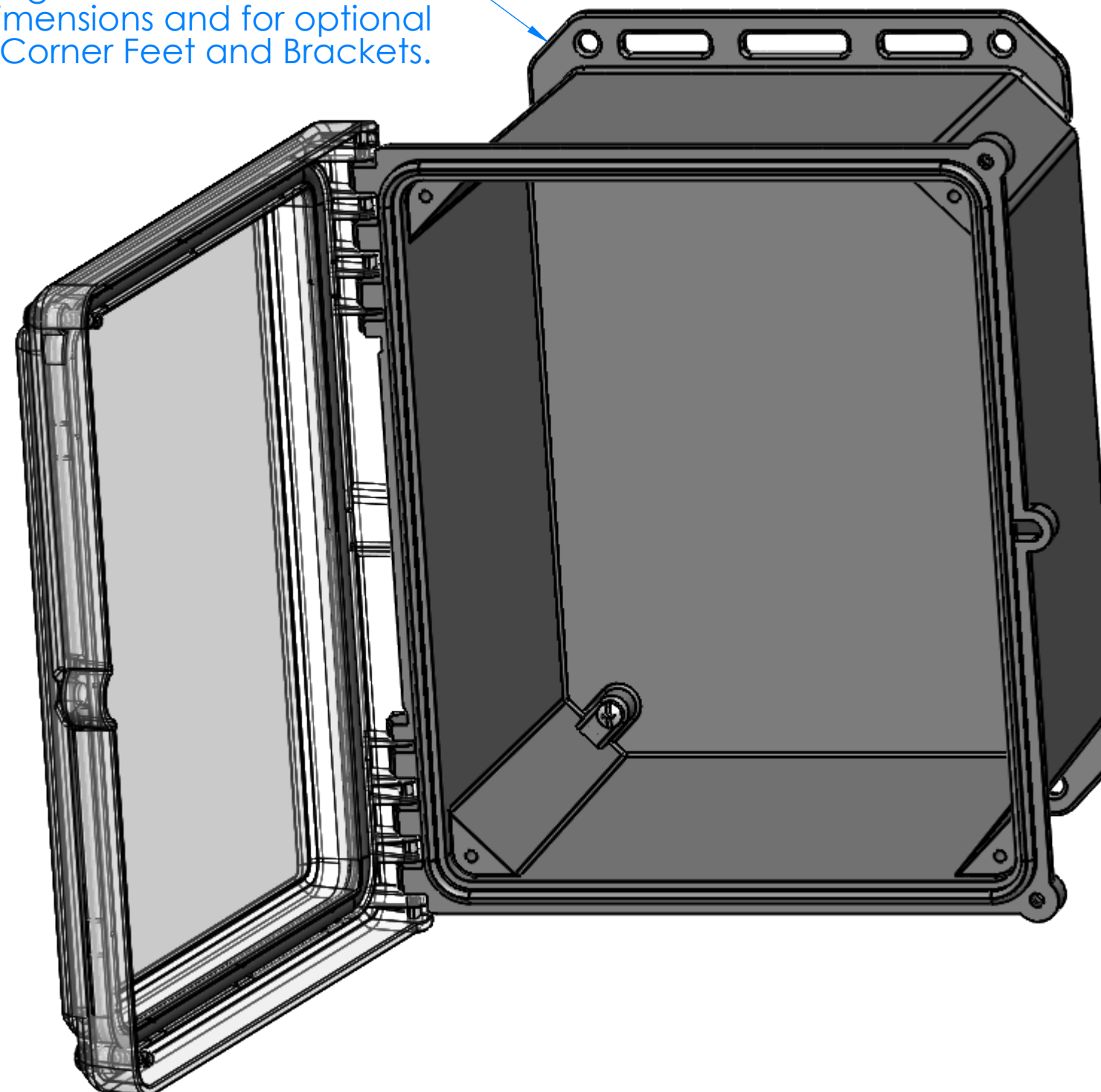
Electronic Enclosures



2 Mounting Brackets included, see sheet 2 for dimensions and for optional mounting Corner Feet and Brackets.



SECTION B-B

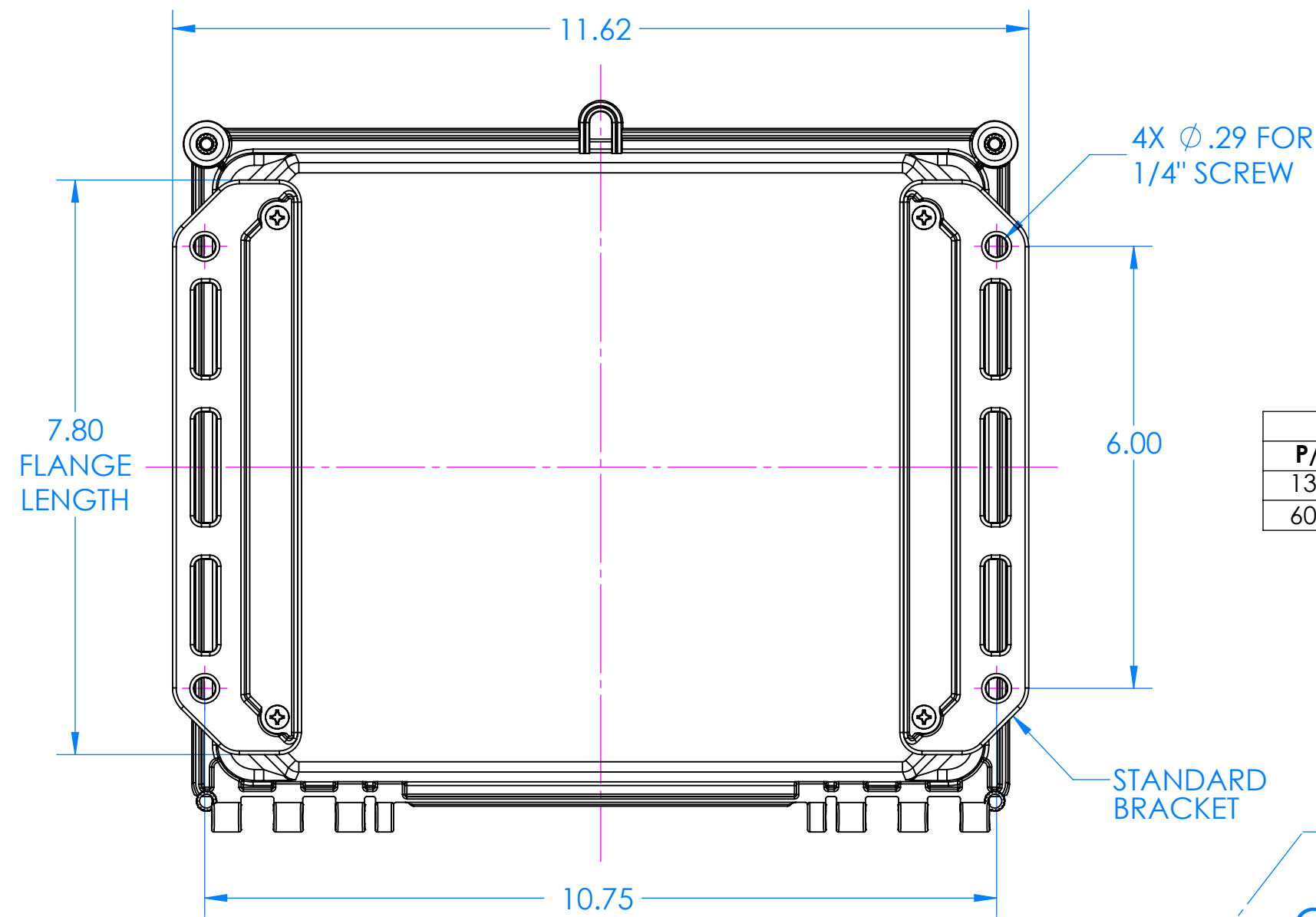


Aluminum and Plastic Panel Kits are available as options, see sheets 3-6. The aluminum panel options are:
 Bottom Panel Kit p/n 7200B
 Top Panel Kit p/n 7200T
 Hinged Panel Kit p/n 7200TH
 The plastic panel option is:
 Hinged Panel Kit p/n 7200HP

-Material: UV stabilized Polycarbonate
 Flammability UL 94 V-2
 -Watertight enclosure meets or exceeds Nema 4 and or IP67.

| PARTS INCLUDED | | |
|----------------|------|-----------------------|
| P/N | Qty. | Description |
| I352HST | 1 | I352HS Top |
| I350HSB | 1 | I350HL Bottom |
| 8350 | 1 | 350 Perimeter O-ring |
| 1305 | 2 | Mounting Bracket |
| 6028 | 4 | SS #10 X 5/8" Pan H/L |
| 6031 | 2 | #10 X 1" Screw |
| 8001 | 2 | O-Ring for Screw |

TOP REMOVED FOR CLARITY FROM ALL VIEWS

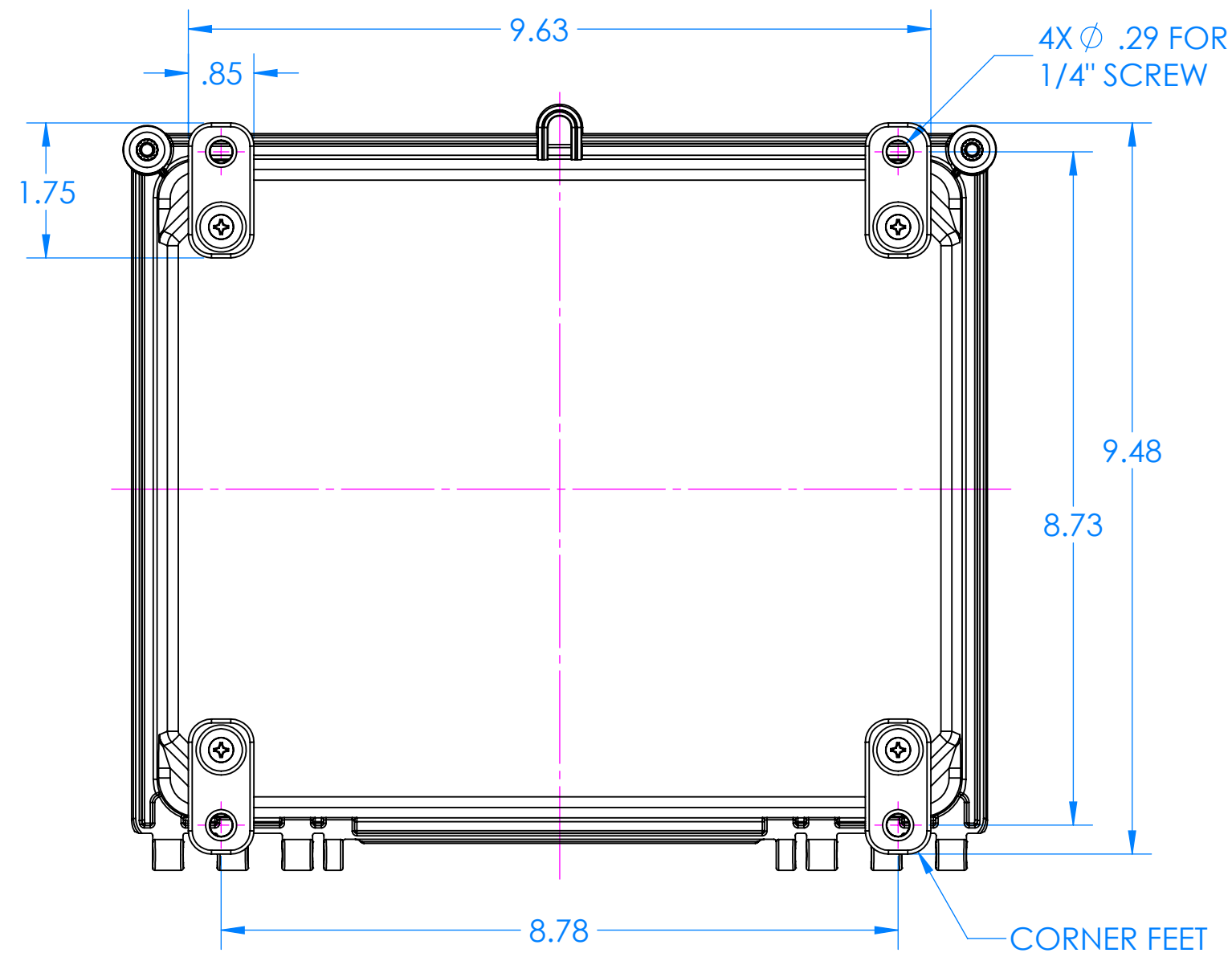


STANDARD INCLUDED MOUNTING BRACKETS

| PARTS INCLUDED | | |
|----------------|------|-----------------------------------|
| P/N | Qty. | Description |
| 1305 | 2 | Mounting Bracket |
| 6028 | 4 | SS #10 X 5/8" Pan Combo H/L Screw |

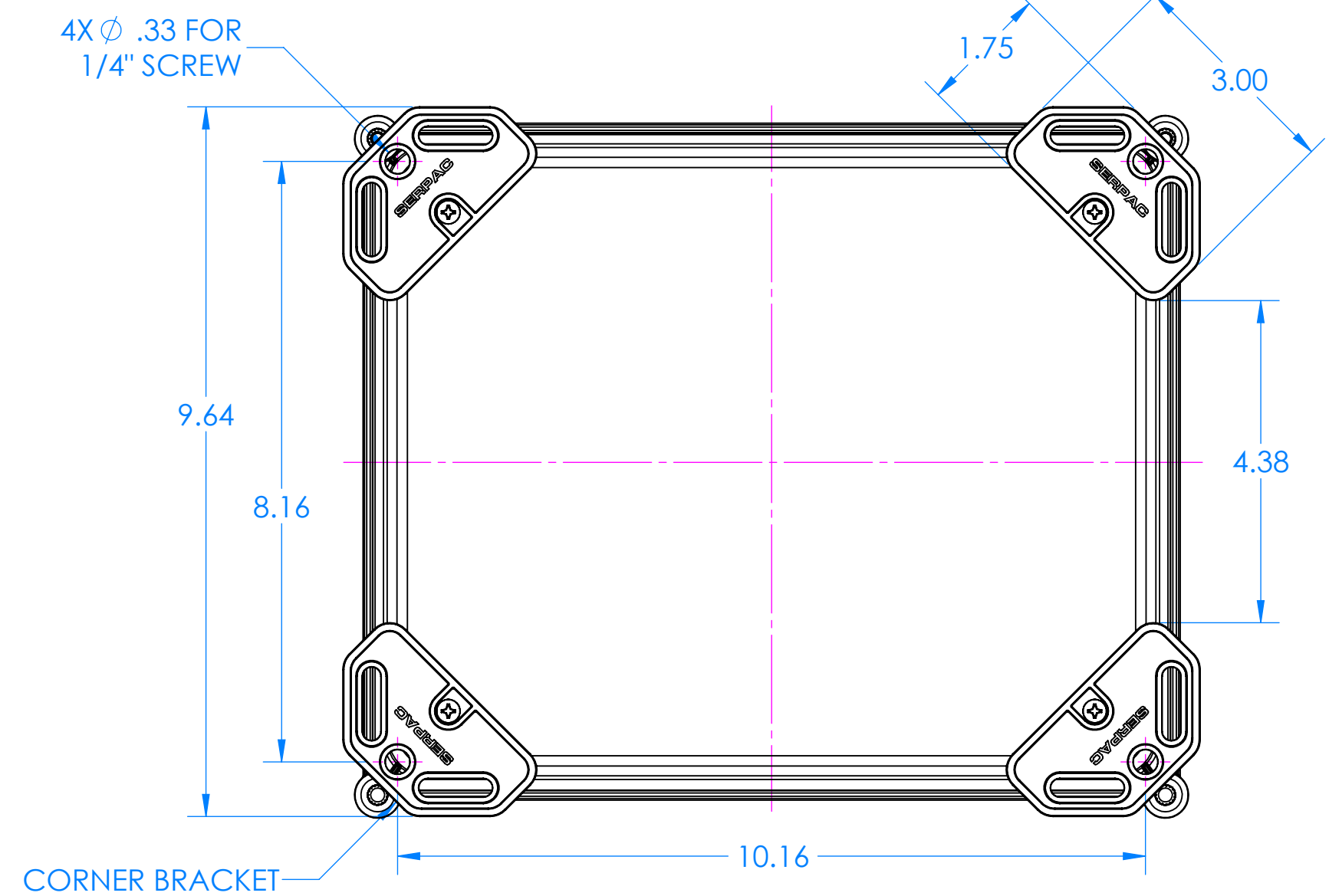
OPTIONAL CORNER FEET

| PARTS INCLUDED | | |
|----------------|------|-----------------------------------|
| P/N | Qty. | Description |
| 1306 | 4 | Mounting Corner Feet |
| 6028 | 4 | SS #10 X 5/8" Pan Combo H/L Screw |

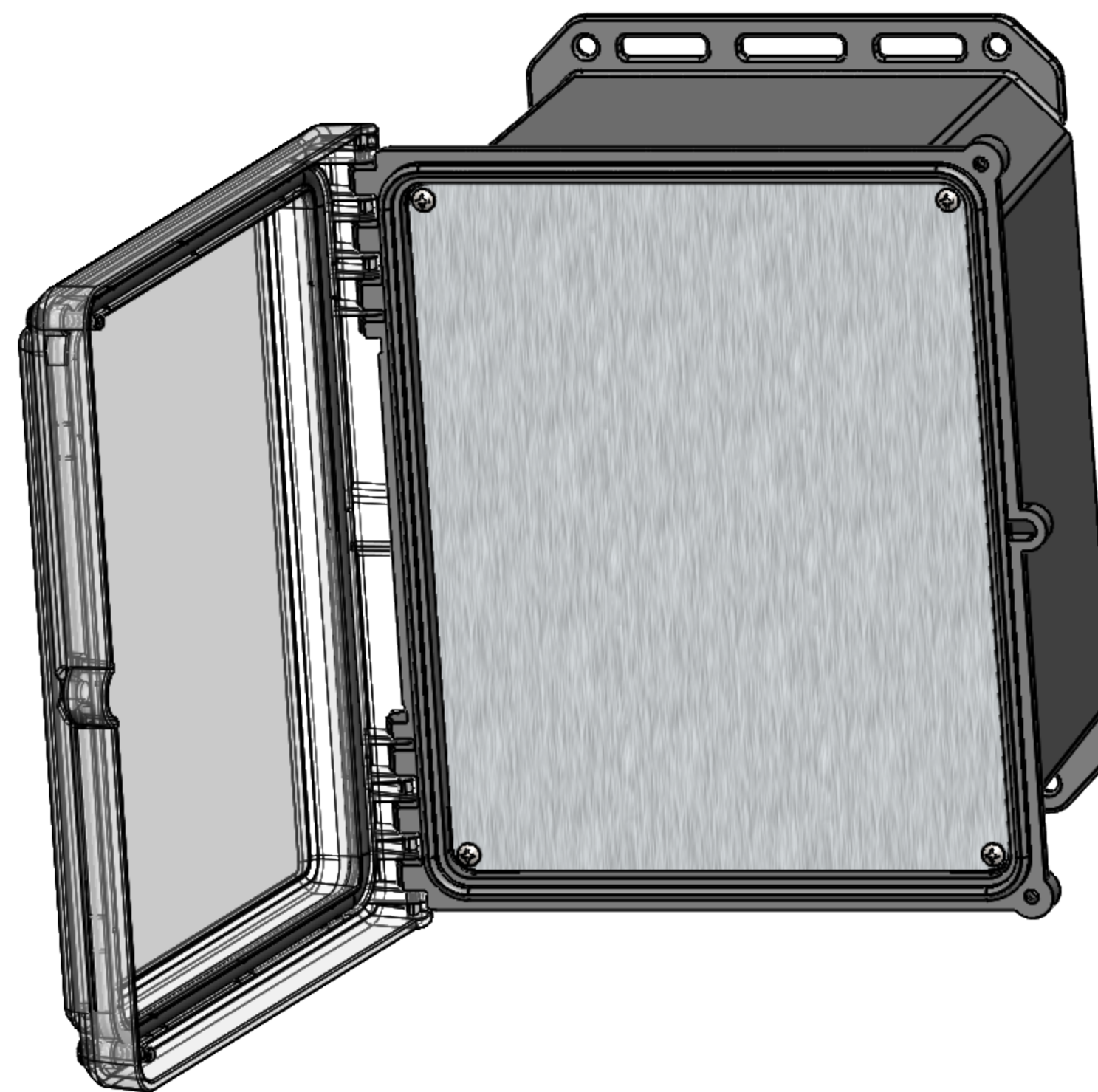
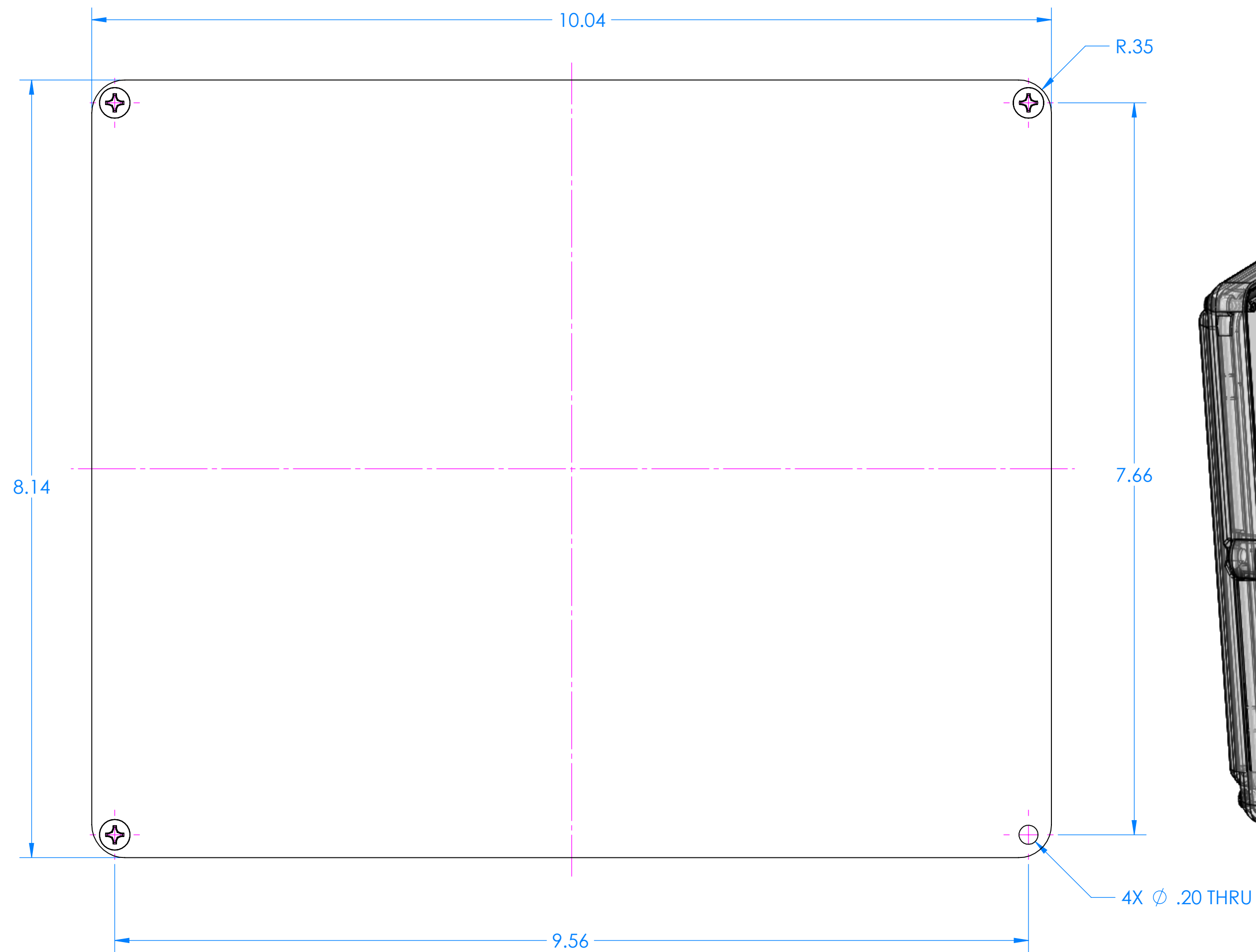


OPTIONAL CORNER BRACKETS

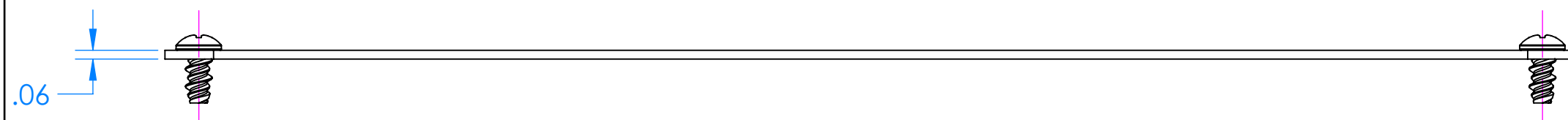
| PARTS INCLUDED | | |
|----------------|------|-----------------------------------|
| P/N | Qty. | Description |
| 1355 | 4 | Mounting Corner Bracket |
| 6028 | 4 | SS #10 X 5/8" Pan Combo H/L Screw |



7200T Top Panel Kit for 352HL, 342HL, 352HS, 342HS, 352S and 342S

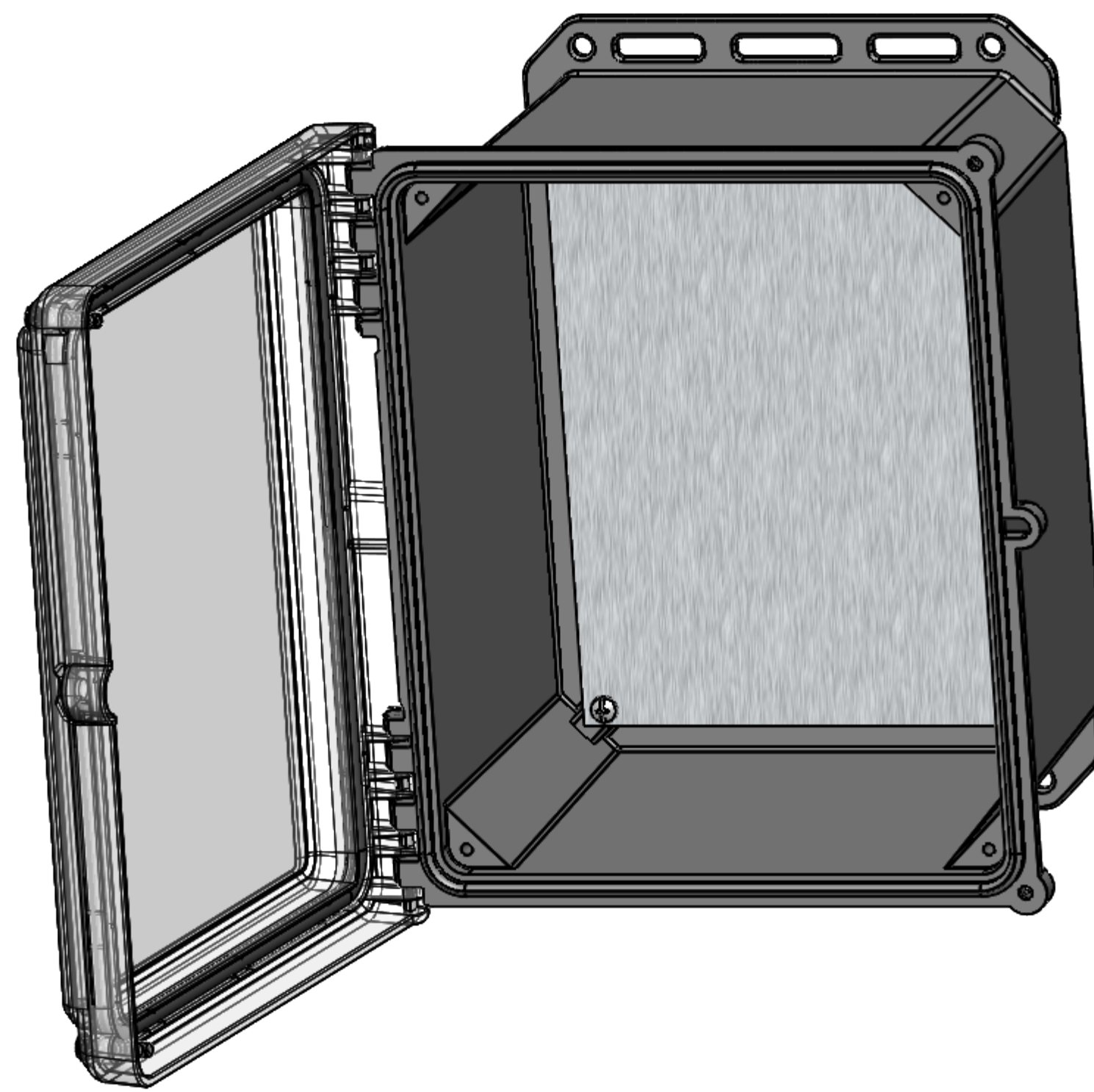
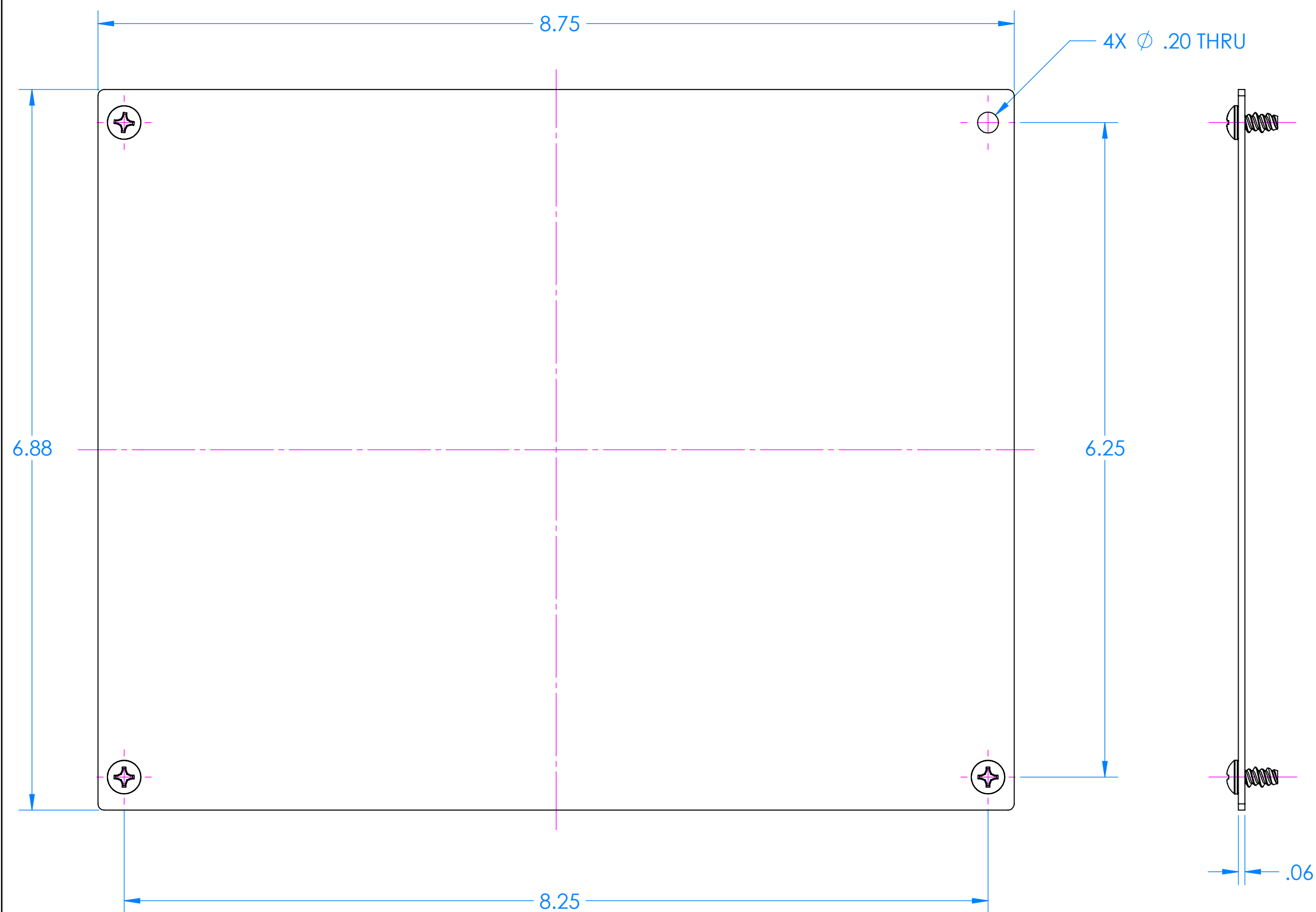


OPTIONAL ACCESSORY



| PARTS INCLUDED | | |
|----------------|------|----------------------------|
| P/N | Qty. | Description |
| 72040 | 1 | Top Aluminum Panel |
| 6029 | 4 | SS #10 X 3/8" Pan HL Screw |

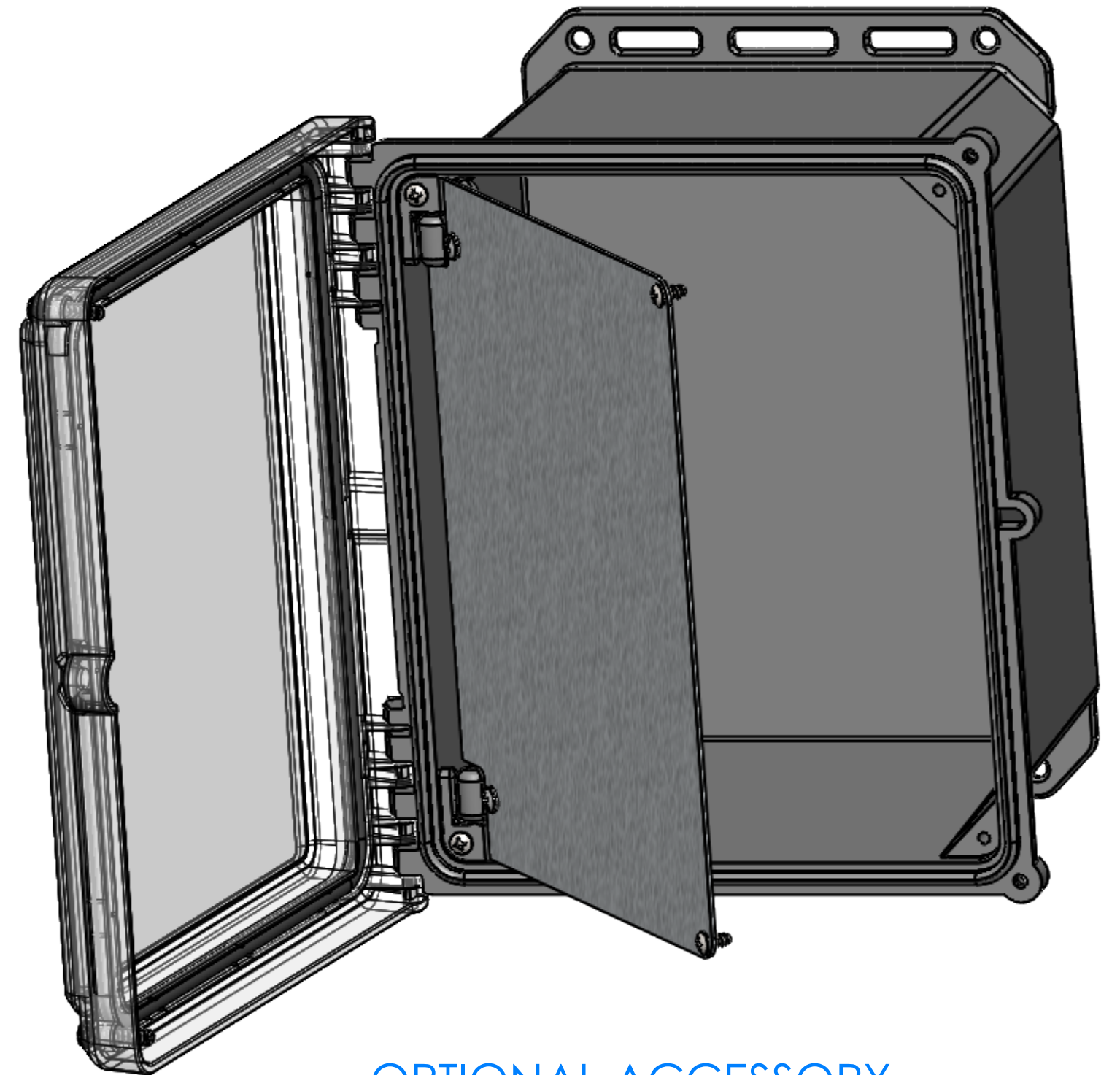
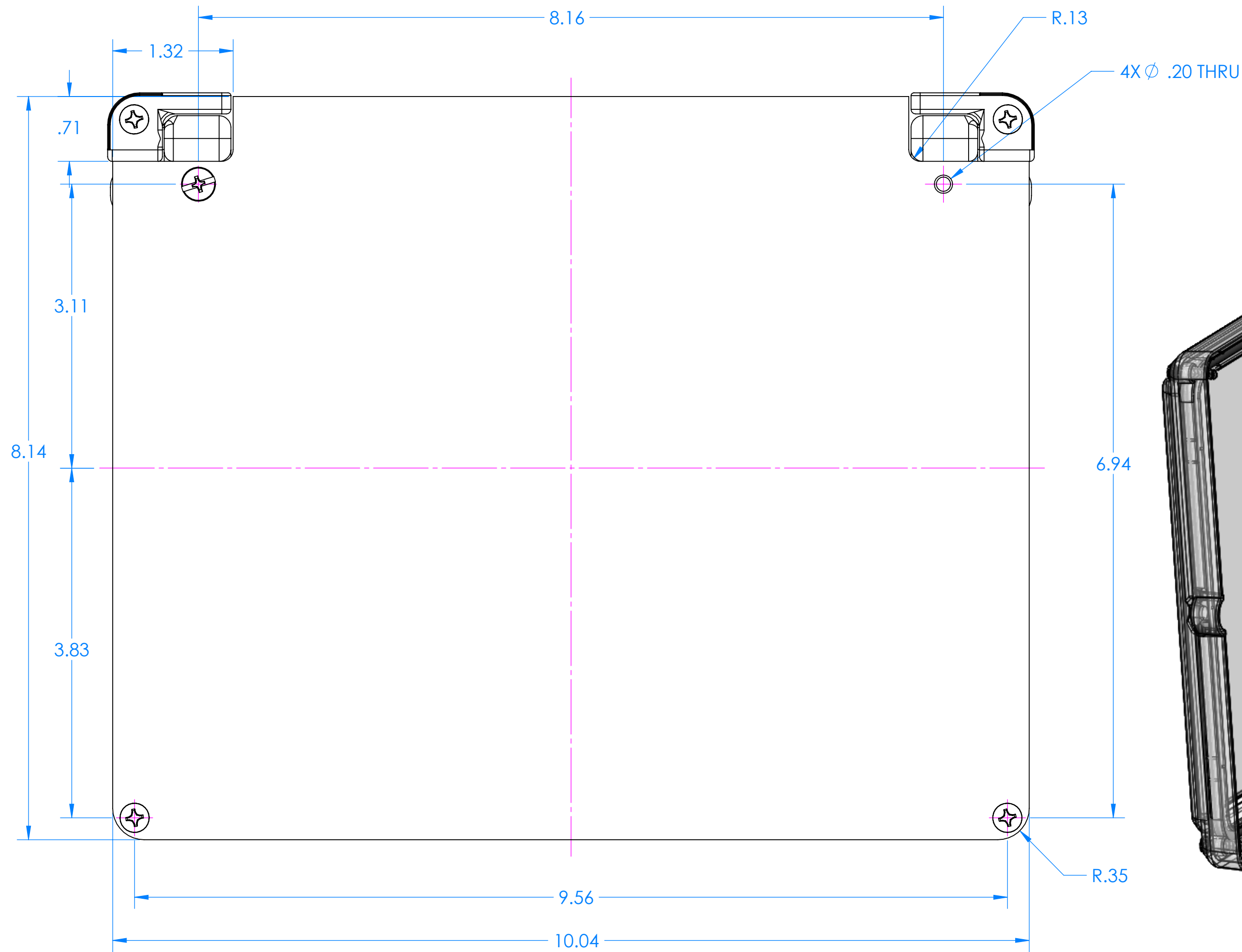
7200B Bottom Panel Kit for 352HL, 342HL, 352HS, 342HS, 352S and 342S



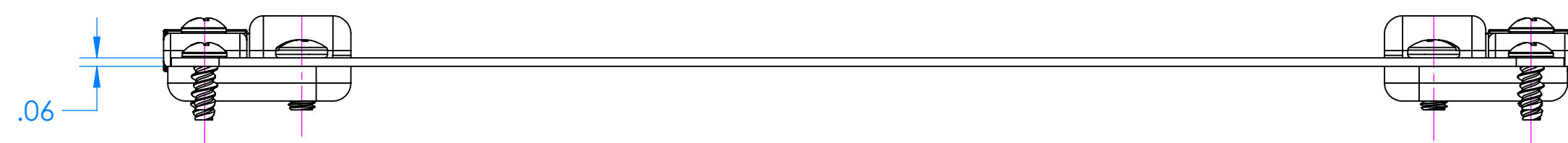
OPTIONAL ACCESSORY

| PARTS INCLUDED | | |
|----------------|------|----------------------------|
| P/N | Qty. | Description |
| 72000 | 1 | Bottom Aluminum Panel |
| 6029 | 4 | SS #10 X 3/8" Pan HL Screw |

7200TH Hinged Top Panel Kit for 352HL, 342HL, 352HS, 342HS, 352S and 342S

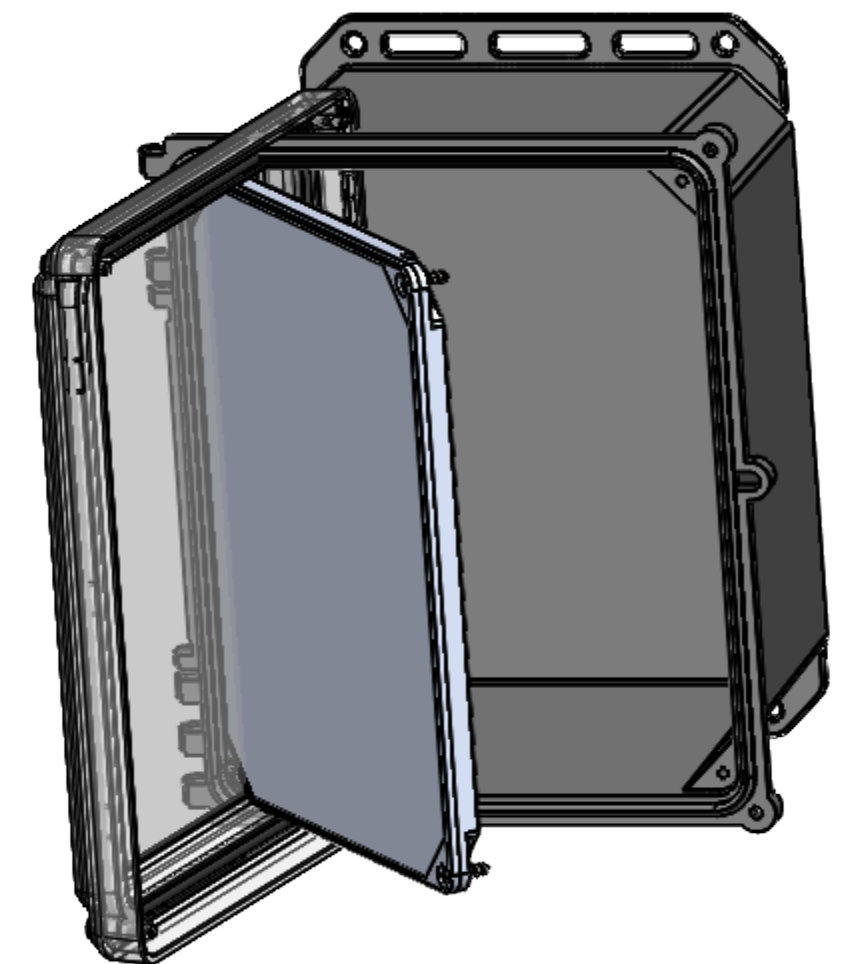
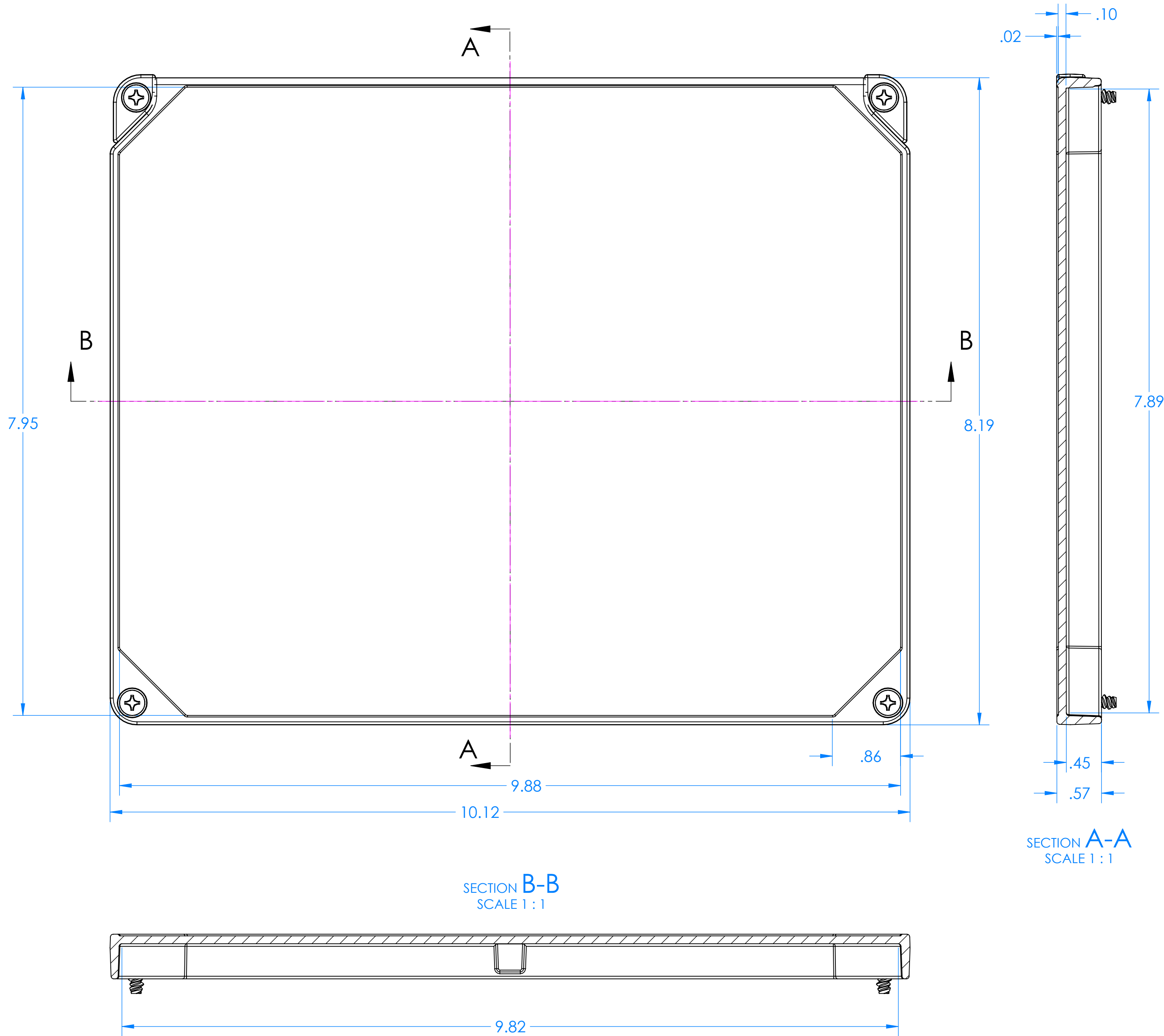


OPTIONAL ACCESSORY



| Parts Included | | |
|----------------|------|-----------------------------------|
| P/N | Qty. | Description |
| 72020 | 1 | Hinged Top Aluminum Panel |
| 6029 | 2 | SS #10 X 3/8" Pan HL Screw |
| 6030 | 2 | SS #10 X 3/8" Pan Combo H/L Screw |
| 6105 | 2 | SS #10-32 X1/8" Nut |
| 6028 | 2 | SS #10 X 5/8" Pan Combo H/L Screw |
| 1307 | 2 | Hinge Pin |
| 1308 | 1 | Panel Hinge A |
| 1309 | 1 | Panel Hinge B |

7200HP Hinged Top Plastic Panel Kit for 352HL, 342HL, 352HS, 342HS, 352S and 342S



OPTIONAL ACCESSORY

| Parts Included | | |
|----------------|------|-----------------------------------|
| P/N | Qty. | Description |
| 72021 | 1 | Hinged Top Plastic Panel |
| 1310 | 1 | Hinge - Left |
| 1311 | 1 | Hinge - Right |
| 6028 | 4 | SS #10 X 5/8" Pan Combo H/L Screw |