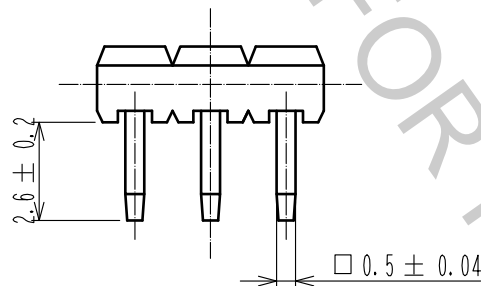
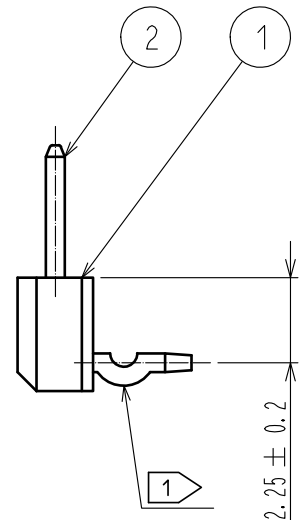
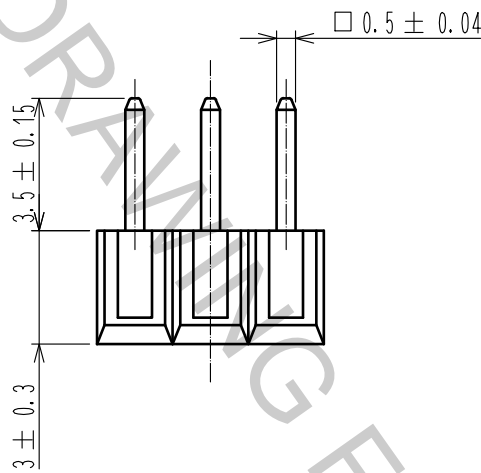
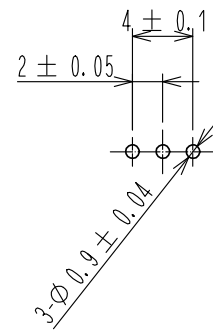
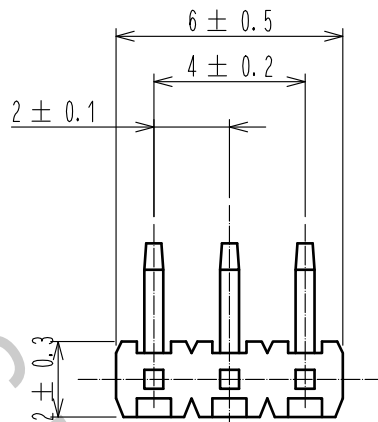


RECOMMENDED PC BOARD HOLE PATTERN

t=1.6 (2:1)



NOTES 1 THE NUMBER OF KINKED TERMINAL SHALL BE 1 CENTER OR 2 AT BOTH ENDS.

1 POLYAMIDE BLACK. UL94V-0			2 PHOSPHOR BRONZE			CONTACT: GOLD PLATING 0.03μm MIN DIP : TIN PLATING 2μm MIN UNDER : NICKEL PLATING 2μm MIN		
NO.	MATERIAL	FINISH . REMARKS	NO.	MATERIAL	FINISH . REMARKS			
UNITS mm		SCALE 5:1	COUNT 	DESCRIPTION OF REVISIONS		DESIGNED	CHECKED	DATE
HIROSE ELECTRIC CO., LTD.			APPROVED : HS. OKAWA 15.06.04	DRAWING NO. EDC-080141-71-21				
			CHECKED : HT. YAMAGUCHI 15.06.04	PART NO. A4B-3PA-2DS(71)				
			DESIGNED : MT. ITANO 15.06.04	CODE NO. CL622-0352-4-71				
			DRAWN : MT. ITANO 15.06.04					