

4

3

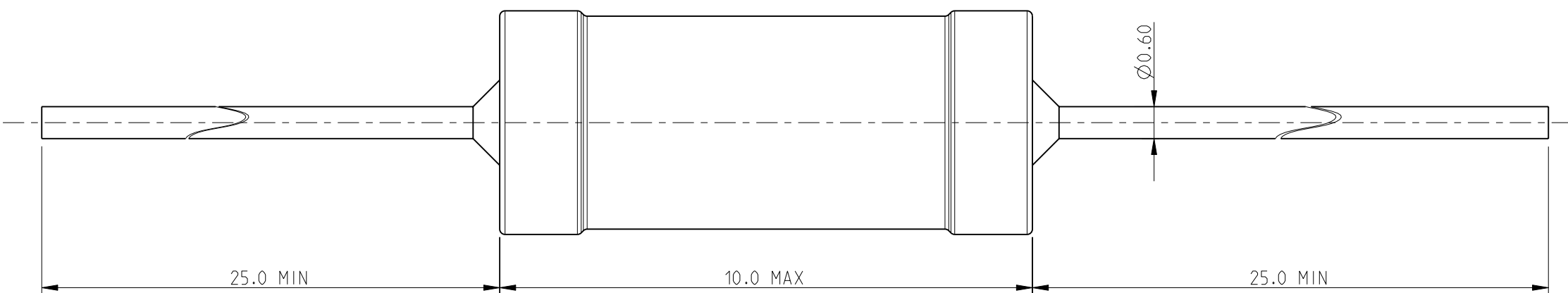
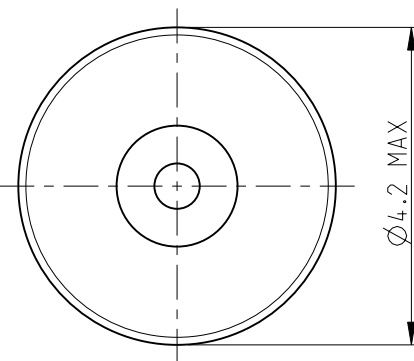
2

1

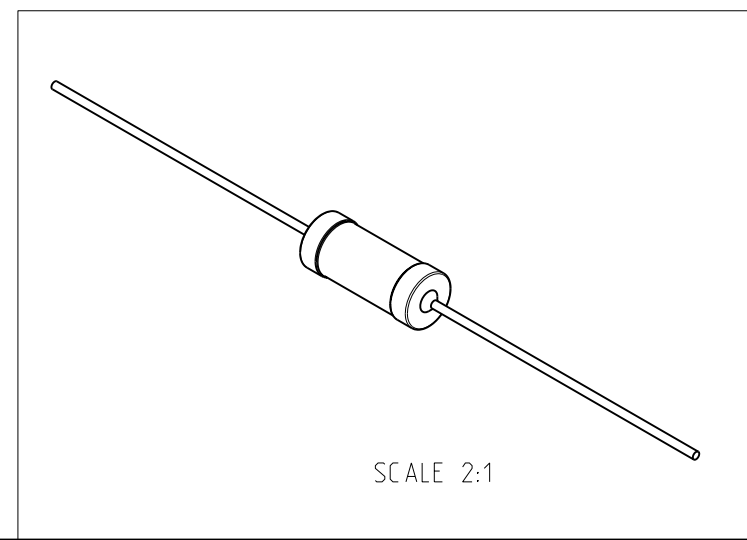
THIS DRAWING IS UNPUBLISHED. RELEASED FOR PUBLICATION 2010
 © COPYRIGHT 2010 BY TYCO ELECTRONICS CORPORATION. ALL RIGHTS RESERVED.

LOC	DIST	REVISIONS			
P	LTR	DESCRIPTION	DATE	DWN	APVD
E	B	BA	NEW RELEASE	04-MAR-10	MRS St.P

FOR FURTHER INFORMATION SEE DATA SHEET FOR
 SERIES SC - AXIAL LEADED POWER INDUCTORS



RoHS Compliant



THIS DRAWING IS A CONTROLLED DOCUMENT FOR TYCO ELECTRONICS CORPORATION
 IT IS SUBJECT TO CHANGE AND THE CONTROLLING ENGINEERING ORGANIZATION
 SHOULD BE CONTACTED FOR THE LATEST REVISION.

DIMENSIONS: mm		TOLERANCES UNLESS OTHERWISE SPECIFIED:	
		0 PLC	±0.2
		1 PLC	±0.1
		2 PLC	±-
		3 PLC	±-
		4 PLC	±-
MATERIAL -		FINISH -	
MATERIAL -		FINISH -	

DWN	MAHARUDRA	04-MAR-10
CHK	ALLAN.P	04-MAR-10
APVD	STEPHEN.P	04-MAR-10
PRODUCT SPEC	-	
APPLICATION SPEC	-	
WEIGHT	-	
CUSTOMER DRAWING		

Tyco Electronics Corporation Dorcan, Swindon, SN3 5HH		NAME AXIAL LEADED POWER INDUCTORS SERIES SC10	
SIZE	CAGE CODE	DRAWING NO	RESTRICTED TO
A3	00779	©=1623958	-
SCALE 10:1		SHEET 1 OF 1	REV BA