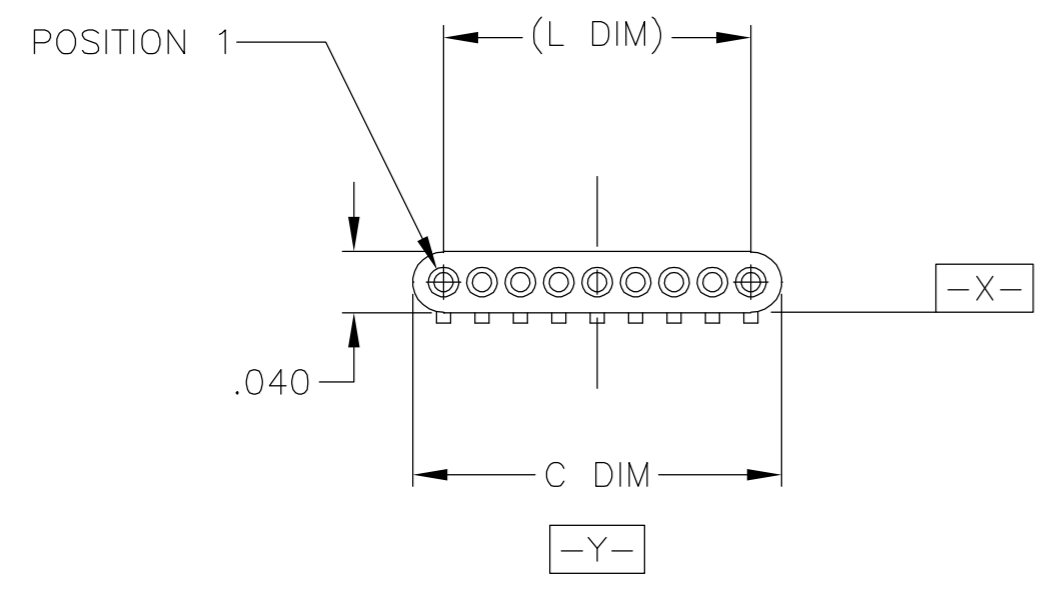
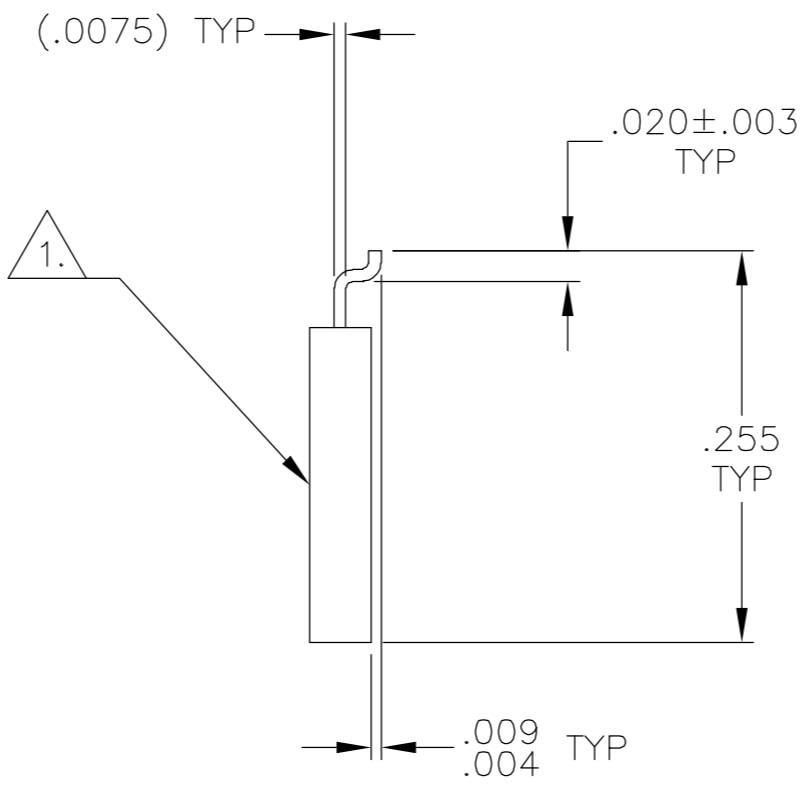
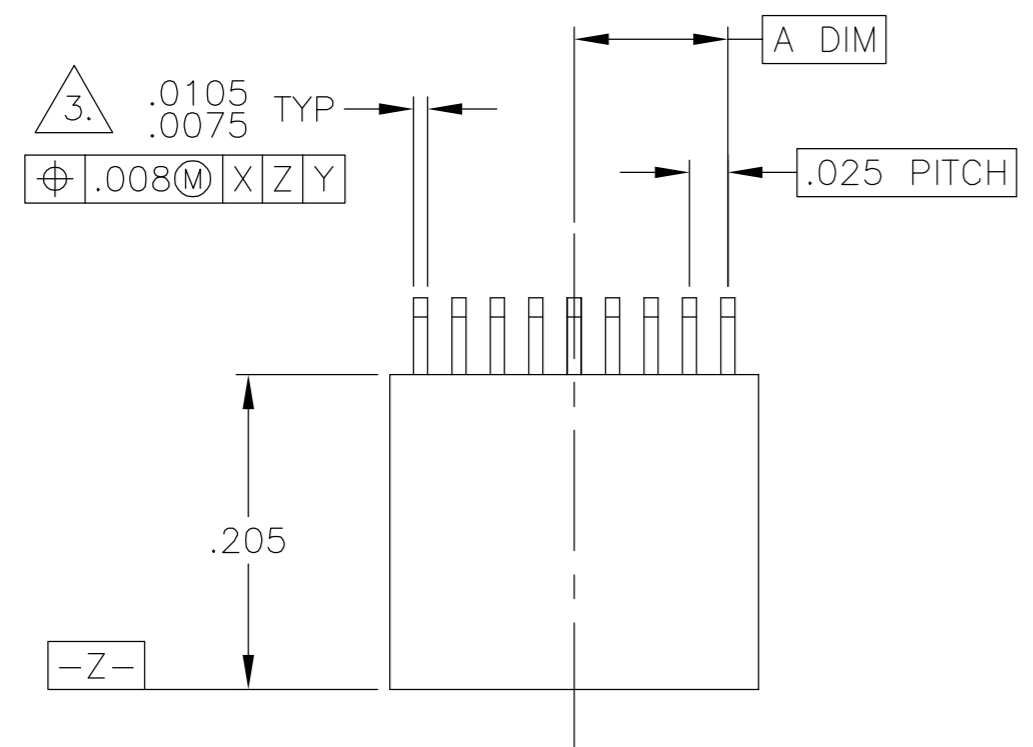


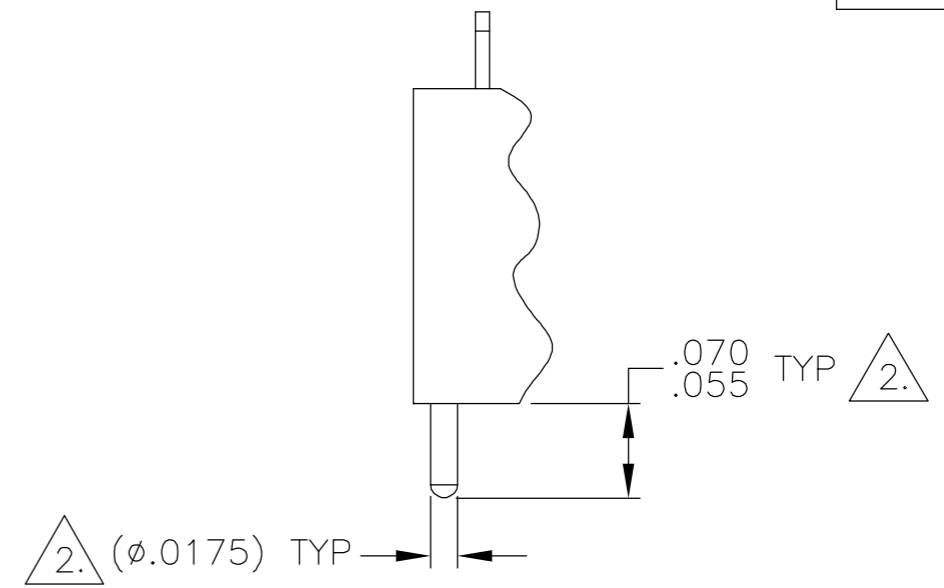
THIS DRAWING IS UNPUBLISHED. RELEASED FOR PUBLICATION
 © COPYRIGHT BY TYCO ELECTRONICS CORPORATION. ALL RIGHTS RESERVED.

LOC	DIST	REVISIONS					
DF	DO	P	LTR	DESCRIPTION	DATE	DWN	APVD
		B		UPDATE PER 0H2Y-0026-04	01-23-04	JDM	MKS



SIZE	A DIM	C DIM	(L DIM)
04	.0375	.115	(.075)
09	.100	.240	(.200)
15	.175	.390	(.350)

5.	25	.300	.640	(.600)
5.	37	.450	.940	(.900)
5.	51	.625	1.290	(1.250)



DETAIL A
POSITION "T" SHOWN FOR REFERENCE

- T POSITION 1
- U POSITION 2
- V POSITION 3
- W POSITION 1, AND SECOND TO LAST POSITION
- Y POSITION 1, AND THIRD TO LAST POSITION
- Z POSITION 2, AND THIRD TO LAST POSITION

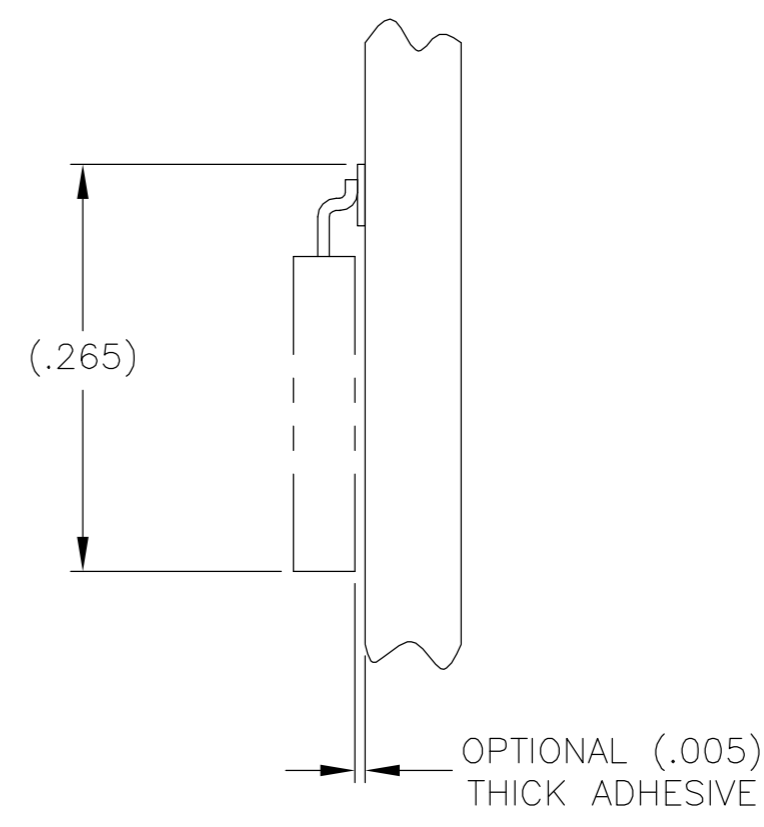
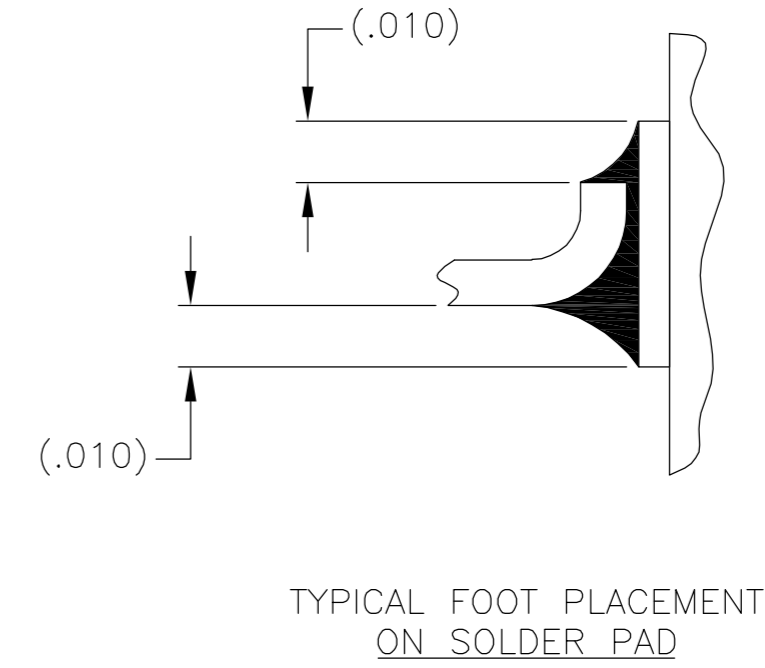
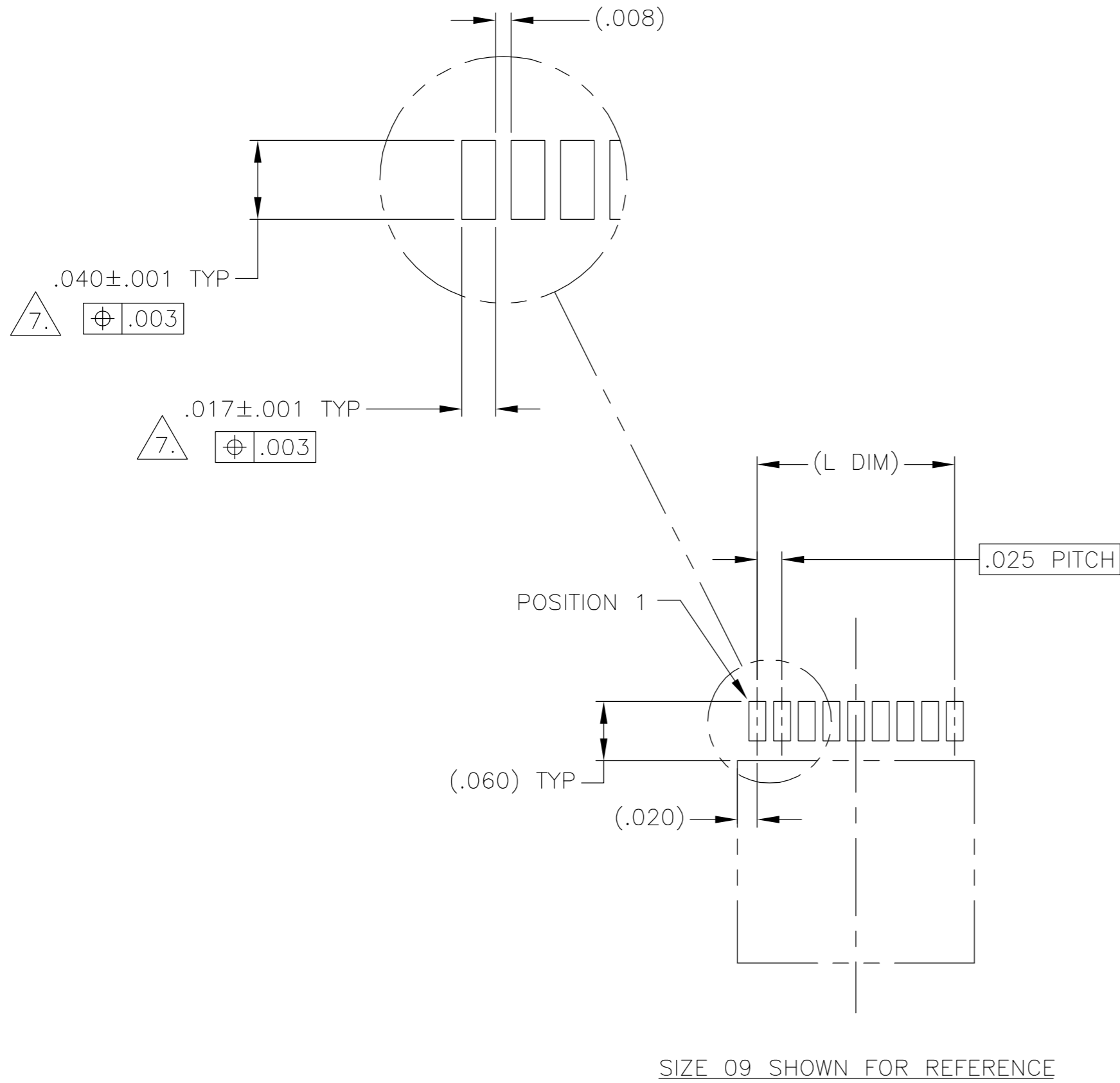
- 1. INSULATOR MATERIAL: RYTON (POLYPHENYLENE SULFIDE) PER MIL-M-24519 OR LCP PER ASTM D5138
- 2. OPTIONAL POLARIZATION GUIDE POST SHOWN FOR REFERENCE ONLY. IF GUIDE POST(S) ARE REQUIRED, THE LOCATION MUST BE SPECIFIED IN THE NANONICS PART NUMBER. GUIDE POST MATERIAL IS 303 STAINLESS STEEL, PASSIVATED PER SAE-AMS-QQ-P-35.
- 3. SMT LEADS ARE BeCu, GOLD PLATE PER MIL-G-45204 OVER NICKEL PLATE PER SAE-AMS-QQ-N-290
- 4. TERMINATION CODE: H2
- 5. WHEN ORDERING THESE SIZES, FIRST CONSULT TYCO ELECTRONICS/NANONICS FOR ADDITIONAL INFORMATION.
- 6. THIS DRAWING PREVIOUSLY IDENTIFIED AS NANONICS N10138/040

2. POLARIZING GUIDE POST "PGP" POSITIONS, SEE DETAIL A

THIS DRAWING IS A CONTROLLED DOCUMENT.		DWN C. SCHOLL 08-06-03	Tyco Electronics Corporation Harrisburg, PA 17105
DIMENSIONS: INCHES		CHK M. STORRY 08-06-03	
TOLERANCES UNLESS OTHERWISE SPECIFIED:		APVD D. MORALES 01-27-04	NAME
0 PLC ± - 1 PLC ± - 2 PLC ± .010 3 PLC ± .005 4 PLC ± - ± 1°		PRODUCT SPEC	PLUG ASSEMBLY, UNSHROUDED STRIP, HORIZONTAL SMT, GOLD PLATED LEADS, PLASTIC
MATERIAL SEE NOTES		FINISH SEE NOTES	SIZE CAGE CODE DRAWING NO RESTRICTED TO
SEE NOTES		WEIGHT -	A2 00779 C=1589811 -
SEE NOTES		CUSTOMER DRAWING	SCALE 8:1 SHEET 1 OF 2 REV B

THIS DRAWING IS UNPUBLISHED. RELEASED FOR PUBLICATION
 © COPYRIGHT BY TYCO ELECTRONICS CORPORATION. ALL RIGHTS RESERVED.

LOC	DIST	REVISIONS					
DF	DO	P	LTR	DESCRIPTION	DATE	DWN	APVD
		B		UPDATE PER 0H2Y-0026-04	08-05-03	JDM	MKS



TYPICAL PCB LAYOUT

7. POSITIONAL TOLERANCES FOR BASIC DIMENSIONED FEATURES ARE RELATIVE TO FIDUCIALS OR SOME SIMILAR DATUM REFERENCE DEFINED BY THE PCB DESIGNER.

THIS DRAWING IS A CONTROLLED DOCUMENT.		DWN C. SCHOLL 08-06-03	 Tyco Electronics Corporation Harrisburg, PA 17105
DIMENSIONS: INCHES		CHK M. STORRY 08-06-03	
TOLERANCES UNLESS OTHERWISE SPECIFIED:		APVD D. MORALES 01-27-04	NAME
0 PLC ± - 1 PLC ± - 2 PLC ± .010 3 PLC ± .005 4 PLC ± - ANGLES ± 1°		PRODUCT SPEC	PLUG ASSEMBLY, UNSHROUDED STRIP, HORIZONTAL SMT, GOLD PLATED LEADS, PLASTIC
MATERIAL		APPLICATION SPEC	SIZE CAGE CODE DRAWING NO RESTRICTED TO
FINISH		WEIGHT	A2 00779 C=1589811 -
		CUSTOMER DRAWING	SCALE 8:1 SHEET 2 OF 2 REV B