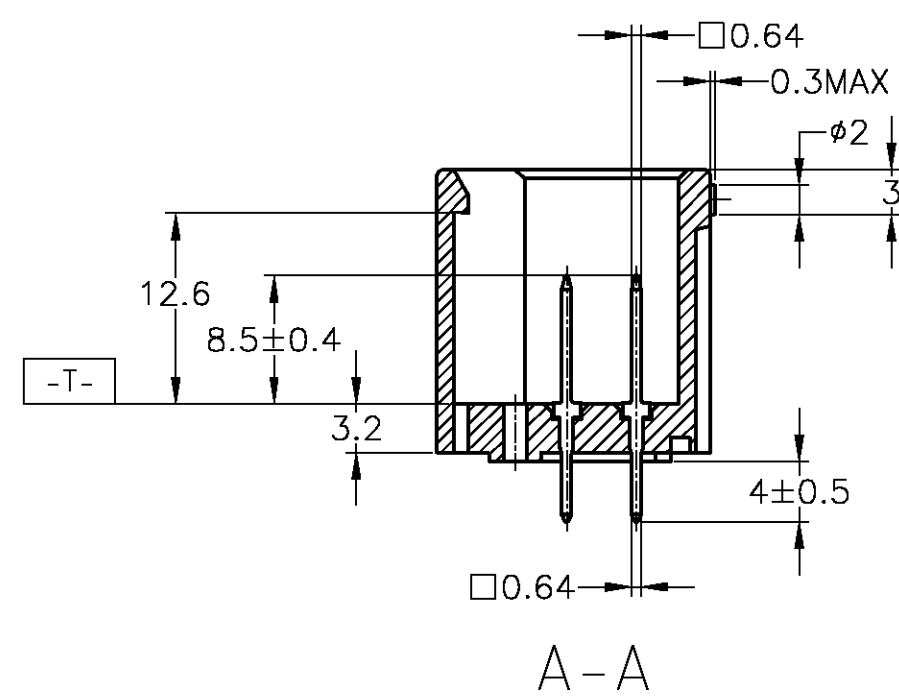
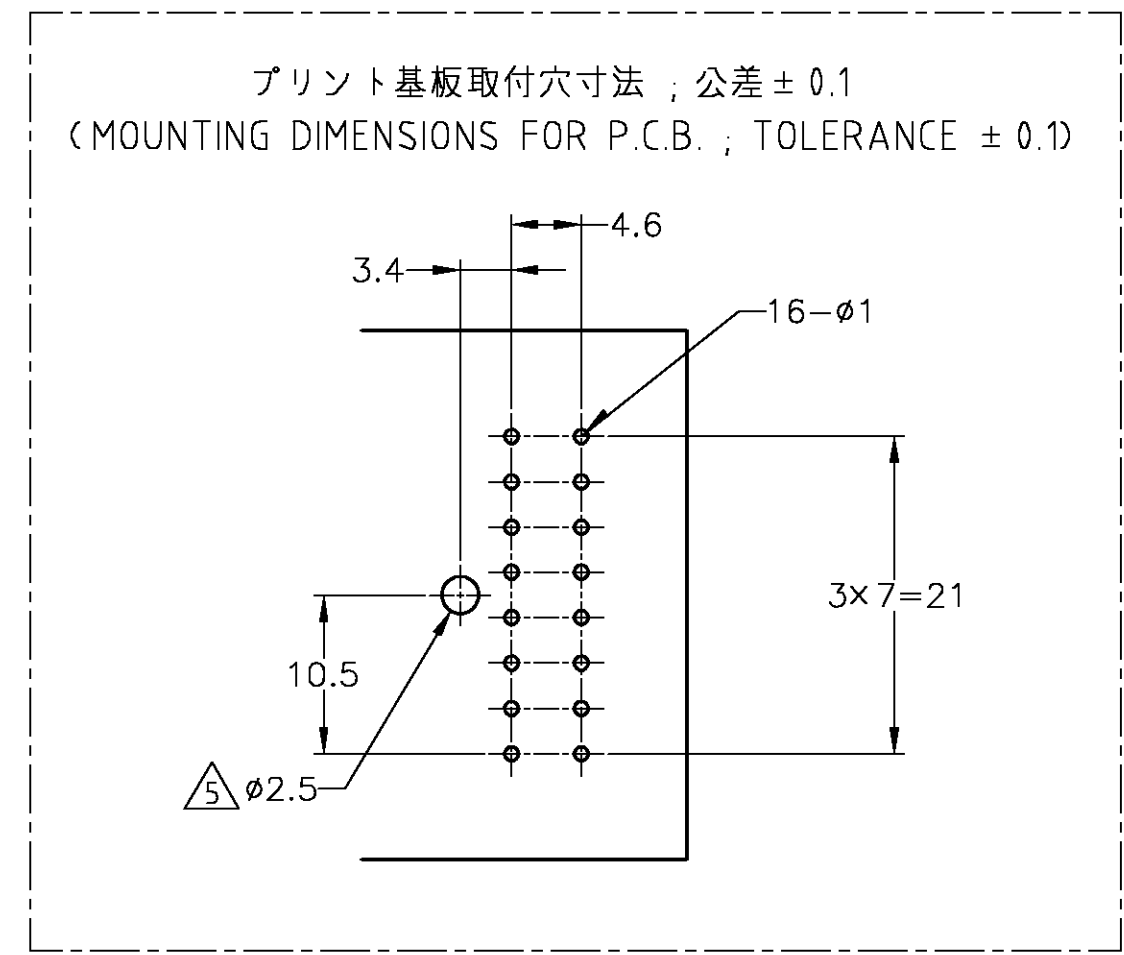
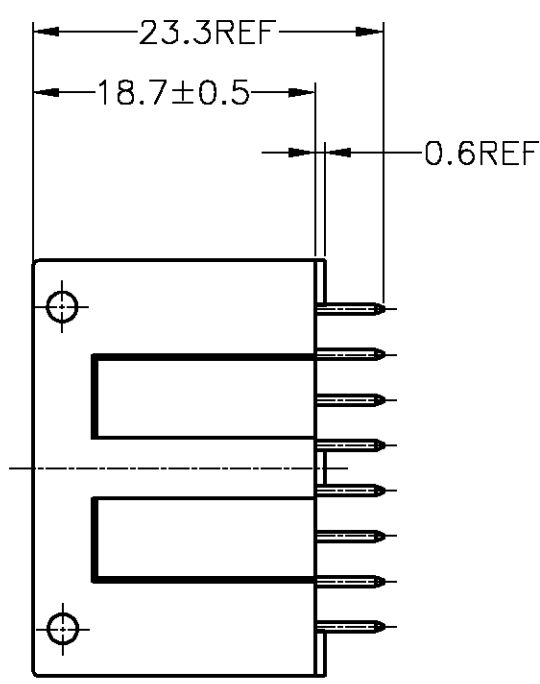
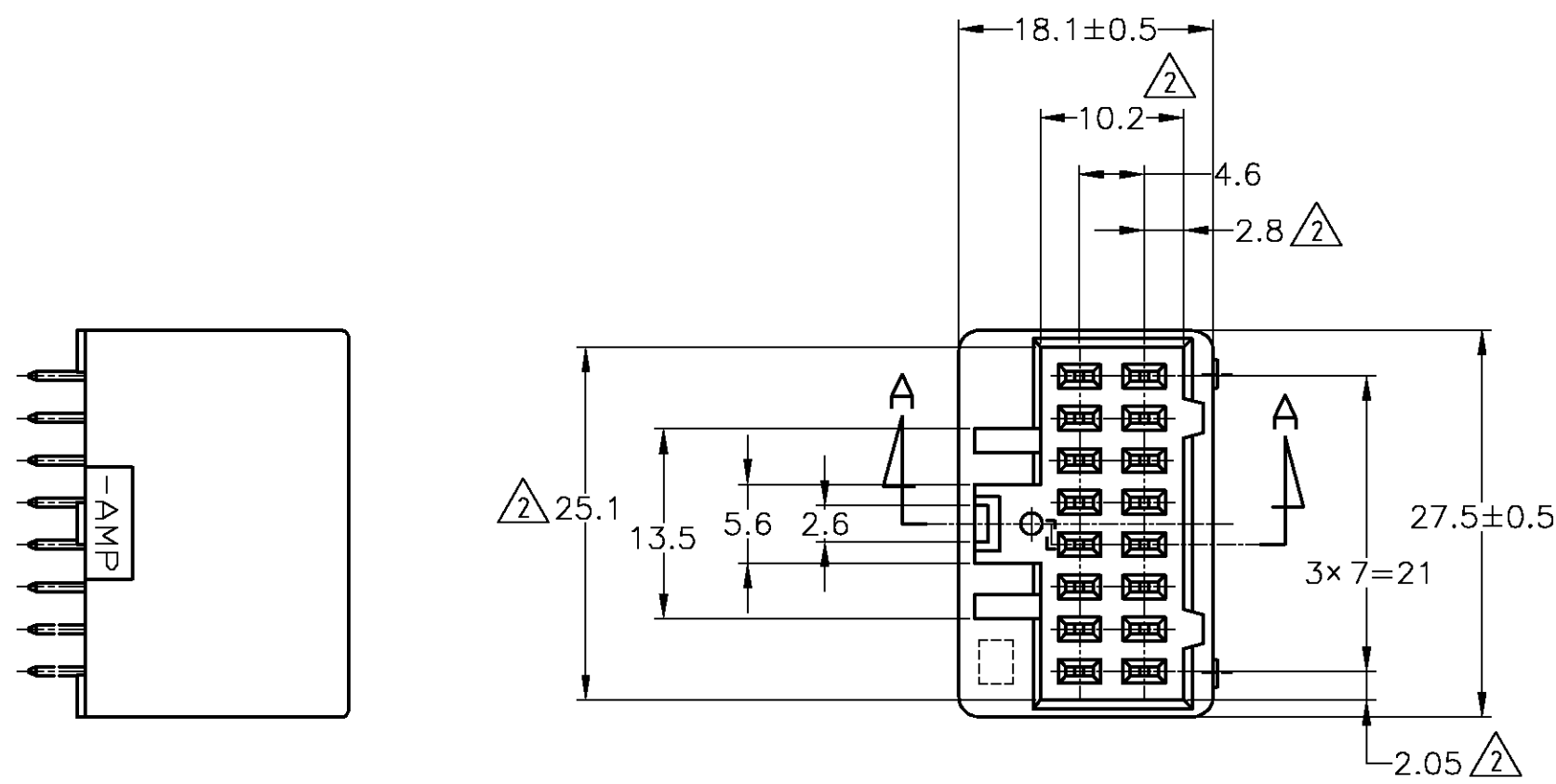


THIS DRAWING IS UNPUBLISHED. RELEASED FOR PUBLICATION
 © COPYRIGHT BY TYCO ELECTRONICS CORPORATION. ALL RIGHTS RESERVED.

LOC	DIST	REVISIONS					
J	-	P	LTR	DESCRIPTION	DATE	DWN	APVD
		C1	REVISED	ECR-06-003257	10FEB06	TS	KB



1. プリント基板にポストの変形なく挿入可能なこと。
 △[-T-] 面より2mmの範囲で測定
 3. 適合する相手ハウジング型番 172021,172852
 4. 適用製品規格 ; 108-5124
 - △ 推奨取付ねじ ; JIS B1115,B1122
 タッピンねじ なべ3種又は4種 呼び径2の長さ5。
1. MUST BE INSERTED TO P.C.B. WITHOUT POST DEFORMATION.
 - △ MUST BE KEPT BETWEEN [-T-] AND 2.
 3. MATING PLUG HOUSING ; 172021,172852
 4. PRODUCT SPECIFICATION ; 108-5124
 - △ RECOMMENDED MOUNTING SCREW ; JIS B1115 OR B1122
 PAN HEAD TAPPING SCREW, CLASS 3 OR 4, DIAMETER 2, LENGTH 5.

SELECTIVE-TIN	PRE-TIN	BLACK	172258-2
SELECTIVE-TIN (MATTE)	SELECTIVE-TIN (BRIGHT)	BLACK	172258-1
SOLDERING SIDE 半田付け部	CONTACT SIDE 接触部側	COLOR 色	PART NUMBER 製品型番
CONTACT FINISH コンタクト仕上			

THIS DRAWING IS A CONTROLLED DOCUMENT.		DWN T.SHINOHARA 10FEB06	Tyco Electronics AMP K.K. Kawasaki, Japan	
DIMENSIONS: 単位: 特 mm		CHK K.BETSUI 10FEB06	NAME K.BETSUI	
TOLERANCES UNLESS OTHERWISE SPECIFIED: 一般公差		APVD K.BETSUI 10FEB06	PRODUCT SPEC 製品規格 SEE NOTE 4	
0 PLC ± 1 PLC ± 2 PLC ± 3 PLC ± 4 PLC ± ANGLES ±		APPLICATION SPEC 取付適用規格		
MATERIAL HOUSING: 66NYLON POST: COPPER ALLOY		FINISH 仕上 SEE TABLE		
一般公差 (GENERAL TOLERANCE) 10以下: ±0.2 10を超え 30以下: ±0.25 30を超え 100以下: ±0.3 角 度: ±3°		WEIGHT -		
		SIZE A2	CAGE CODE 00779	DRAWING NO. 172258
		CUSTOMER DRAWING		RESTRICTED TO -
		SCALE 尺度 2:1	SHEET 1 OF 1	REV C1

172258

A