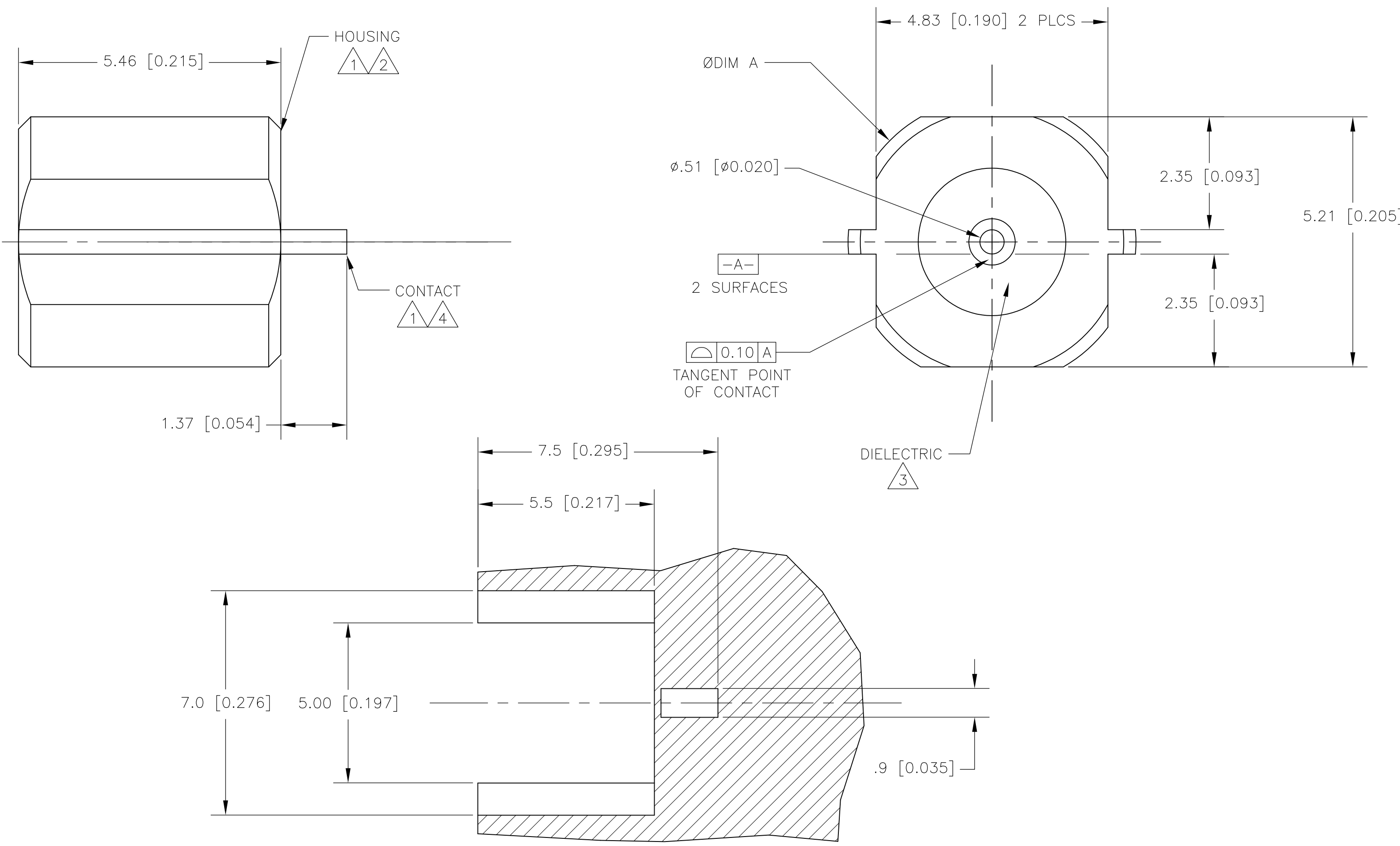


LOC	DIST	REVISIONS					
AJ	16	P	LTR	DESCRIPTION	DATE	OWN	APVD
		B3	ECR-12-005726		27MAR12	RK	MY



- 1 GOLD PLATE PER ASTM-B-488
- 2 BRASS PER ASTM-B-16
- 3 PTFE PER ASTM-D-1710
- 4 BERYLLIUM COPPER PER ASTM-B-197

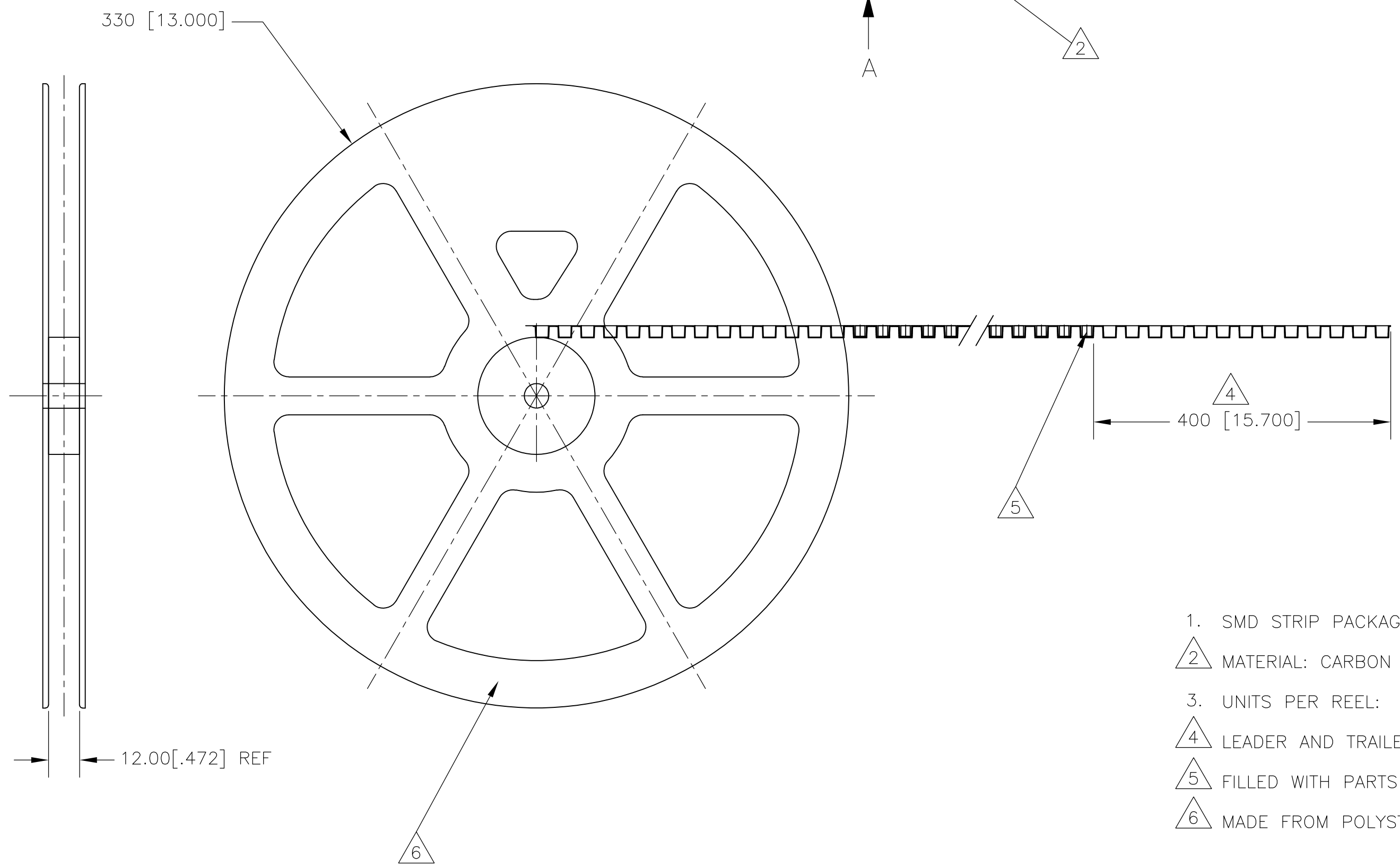
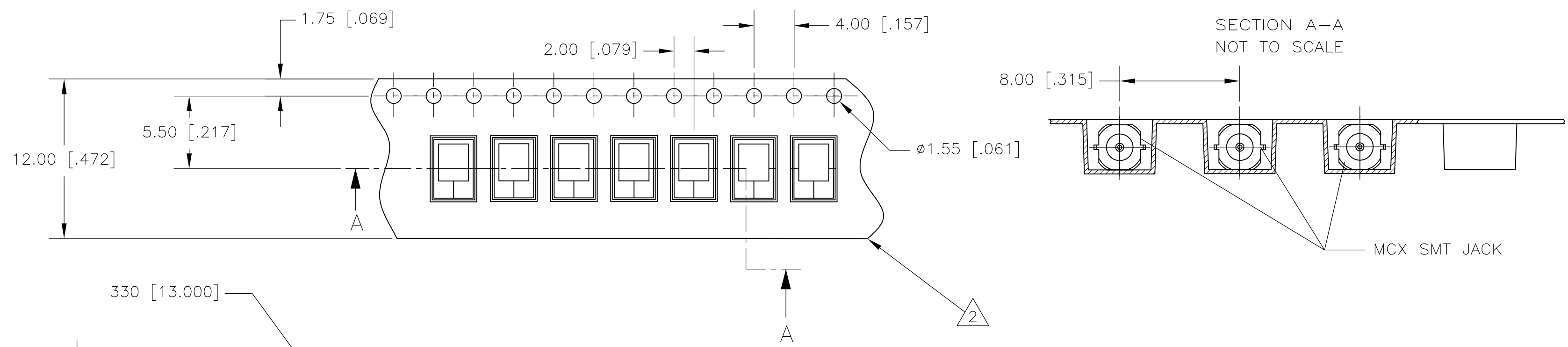
SUGGESTED SOLDER PAD CONFIGURATION ONLY  
(SCALE 10:1)

Ø6.50 [.256]	1274670-2
Ø5.99 [.236]	1274670-1
DIM A	PART NUMBER

THIS DRAWING IS A CONTROLLED DOCUMENT.		DWN K. WEIDNER 2/2/05	TE Connectivity	
DIMENSIONS: mm [INCHES]		CHK J. HAVENER 19APR05		
TOLERANCES UNLESS OTHERWISE SPECIFIED:		APVD J. HAVENER 19APR05	NAME MCX PCB JACK, SMT EDGE LAUNCH	
0 PLC ± -	1 PLC ± -	PRODUCT SPEC	SIZE CAGE CODE DRAWING NO RESTRICTED TO	
2 PLC ± 0.13 [.005]	3 PLC ± -	APPLICATION SPEC	A2 00779 C-1274670	
4 PLC ± -	ANGLES ± ± 2'	WEIGHT	SCALE 15:1 SHEET 1 OF 2 REV B3	
MATERIAL	FINISH	CUSTOMER DRAWING		

THIS DRAWING IS UNPUBLISHED. RELEASED FOR PUBLICATION  
 © COPYRIGHT - By - ALL RIGHTS RESERVED.

LOC	DIST	REVISIONS			
P	LTR	DESCRIPTION	DATE	OWN	APVD
AJ	16	- SEE SHEET 1	-	-	-



- 1. SMD STRIP PACKAGING DIMENSIONAL REQUIREMENTS PER EIA 481-1, -2 AND -3
- 2 MATERIAL: CARBON FILLED POLYCARBONATE, ELECTROSTATIC PROTECTIVE
- 3. UNITS PER REEL: APPROX 1,500
- 4 LEADER AND TRAILER FREE OF PARTS BUT SEALED WITH COVER TAPE
- 5 FILLED WITH PARTS BEGINNING HERE
- 6 MADE FROM POLYSTYRENE

THIS DRAWING IS A CONTROLLED DOCUMENT.		DWN K. WEIDNER 2/2/05	TE Connectivity	
DIMENSIONS: mm [INCHES]		CHK J. HAVENER 19APR05		
TOLERANCES UNLESS OTHERWISE SPECIFIED:		APVD J. HAVENER 19APR05	NAME MCX PCB JACK, SMT EDGE LAUNCH	
0 PLC ± - 1 PLC ± - 2 PLC ± 0.13[.005] 3 PLC ± - 4 PLC ± - ANGLES ± ± 2°		PRODUCT SPEC -	SIZE A2	
MATERIAL -		FINISH -	APPLICATION SPEC -	CAGE CODE 00779
		WEIGHT -	DRAWING NO G-1274670	RESTRICTED TO -
CUSTOMER DRAWING			SCALE NTS	SHEET 2 OF 2
			REV B3	