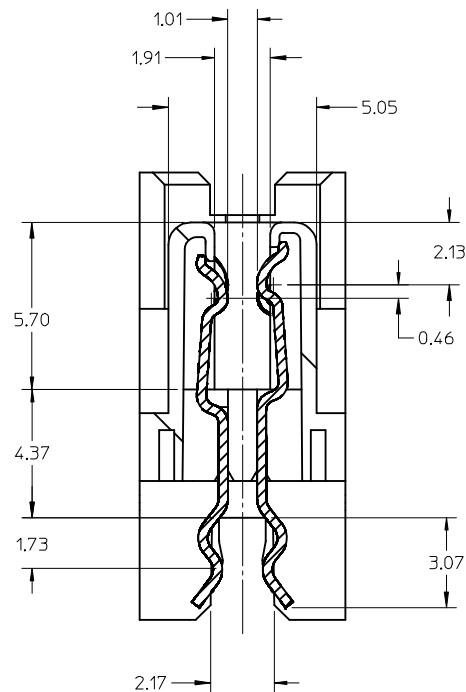
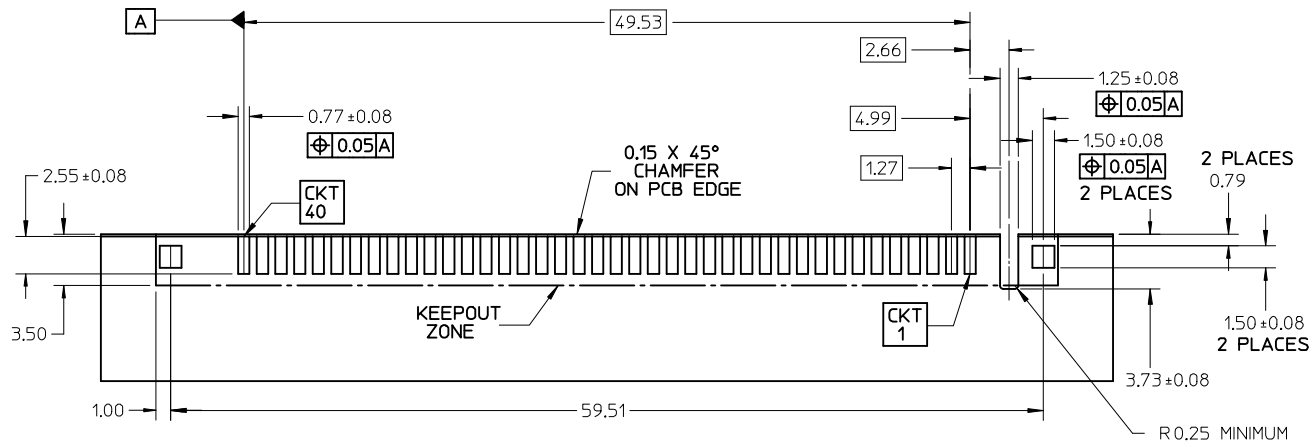


- NOTES:
- 1) MATERIAL:
HOUSING - HIGH TEMPERATURE NYLON, UL94, V-0, BLACK
TERMINALS - COPPER ALLOY
ESD METAL TERMINAL - COPPER ALLOY
 - 2) PLATING:
TERMINALS:
0.76 MICROMETER MINIMUM SELECT GOLD AND
2.54 MICROMETER MINIMUM SELECT TIN OVER
1.27 MICROMETER MINIMUM NICKEL OVERALL

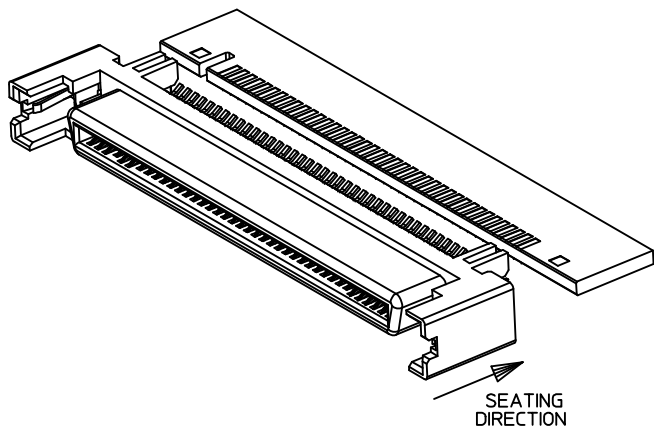
ESD TERMINALS:
3.81 MICROMETER MINIMUM TIN OVER
1.27 MICROMETER MINIMUM NICKEL OVERALL
 - 3) CONFORMS TO PRODUCT SPECIFICATION PS-73826-0000.
 - 4) CIRCUIT NUMBERS 1, 36 THRU 43, 45, 46, AND 75 THRU 80, ARE ADVANCED TERMINALS FOR SEQUENTIAL MATING.
 - 5) PACKAGED IN TRAYS PER PK-70873-5025.

EC NO: UCP2004-2038 DRWN:RLWHITE 2004/09/17 CHKD:BBARKER 2004/09/22 APPR:SMILLER 2004/10/05	QUALITY SYMBOLS	GENERAL TOLERANCES (UNLESS SPECIFIED)		SCALE 3:1	DESIGN UNITS METRIC	THIRD ANGLE PROJECTION	REVISE ON CAD ONLY	
	DESCRIPTION ▼ = 0 ∇ = 0		mm	INCH	DIMENSION STYLE MM ONLY		TITLE	
		4 PLACES	± ---	± ---	DRAWN BY RWHITE	DATE 4/16/2004	80 CKT STRADDLEMOUNT SCA2 SALES DRAWING FOR 1.83MM THICK PCB	
		3 PLACES	± ---	± ---	CHECKED BY BBARKER	DATE 4/16/2004	MOLEX INCORPORATED	
	2 PLACES	± 0.13	± ---	APPROVED BY SMILLER	DATE 4/16/2004	MATERIAL NO. 750830280	DOCUMENT NO. SD-75083-002	
	1 PLACE	± 0.25	± ---	DRAFT WHERE APPLICABLE MUST REMAIN WITHIN DIMENSIONS		SHEET NO. 1 OF 2		
		ANGULAR ±1/2°		THIS DRAWING CONTAINS INFORMATION THAT IS PROPRIETARY TO MOLEX INCORPORATED AND SHOULD NOT BE USED WITHOUT WRITTEN PERMISSION				

RECOMMENDED PCB LAYOUT
 RECOMMENDED PCB THICKNESS: 1.83 +/-0.18 mm



SECTION A-A
 SCALE 6:1



EC NO: UCP2004-2038 DRWN: RLWHITE 2004/09/17 CHKD: BBARKER 2004/09/22 APPR: SMILLER 2004/10/05	QUALITY SYMBOLS	GENERAL TOLERANCES (UNLESS SPECIFIED)	SCALE 3:1	DESIGN UNITS METRIC	THIRD ANGLE PROJECTION	REVISE ON CAD ONLY	
	▽ = 0 ∇ = 0	mm	INCH	DIMENSION STYLE		TITLE 80 CKT STRADDLEMOUNT SCA2 SALES DRAWING FOR 1.83MM THICK PCB	
		± ---	± ---	MM ONLY			
		4 PLACES ± ---	± ---	DRAWN BY RWHITE	DATE 4/16/2004	MOLEX MOLEX INCORPORATED	MATERIAL NO. 750830280 DOCUMENT NO. SD-75083-002 SHEET NO. 2 OF 2
		3 PLACES ± ---	± ---	CHECKED BY BBARKER	DATE 4/16/2004		
	2 PLACES ± 0.13	± ---	APPROVED BY SMILLER	DATE 4/16/2004	THIS DRAWING CONTAINS INFORMATION THAT IS PROPRIETARY TO MOLEX INCORPORATED AND SHOULD NOT BE USED WITHOUT WRITTEN PERMISSION		
	1 PLACE ± 0.25	± ---	DRAFT WHERE APPLICABLE MUST REMAIN WITHIN DIMENSIONS				