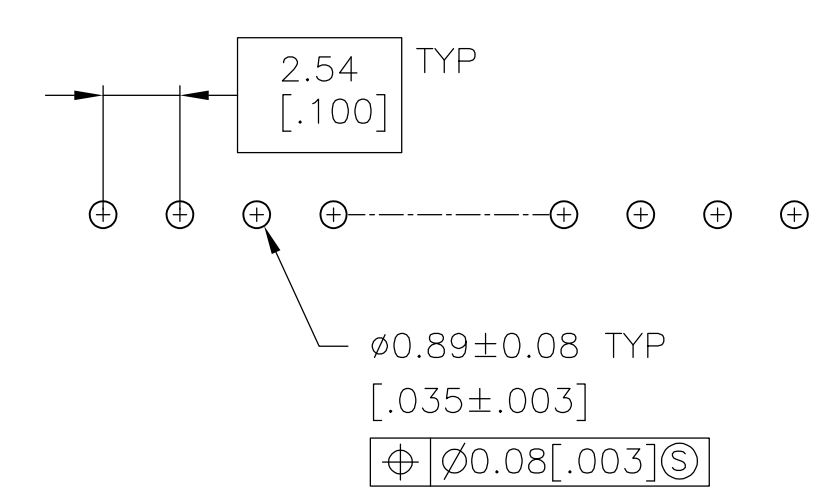
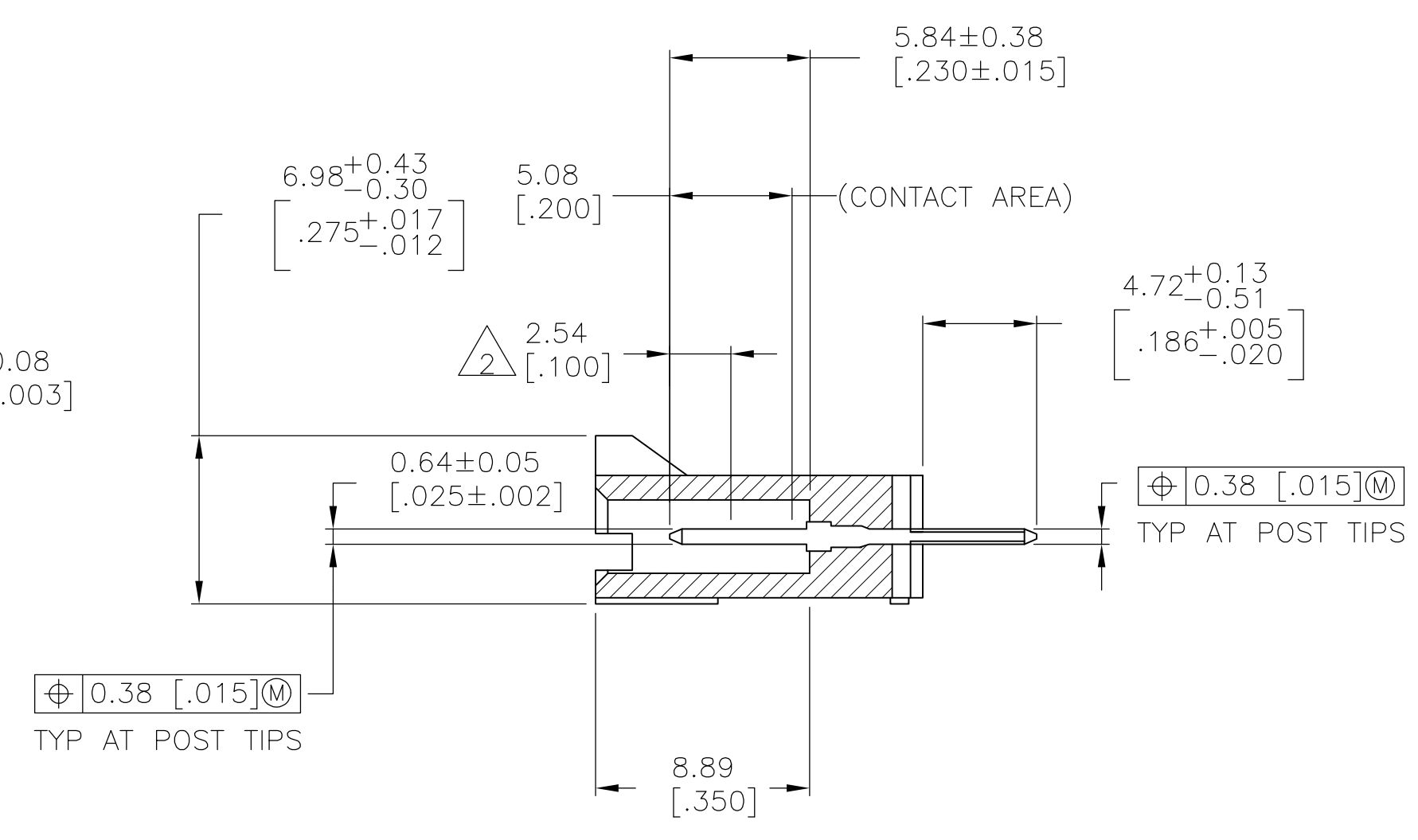
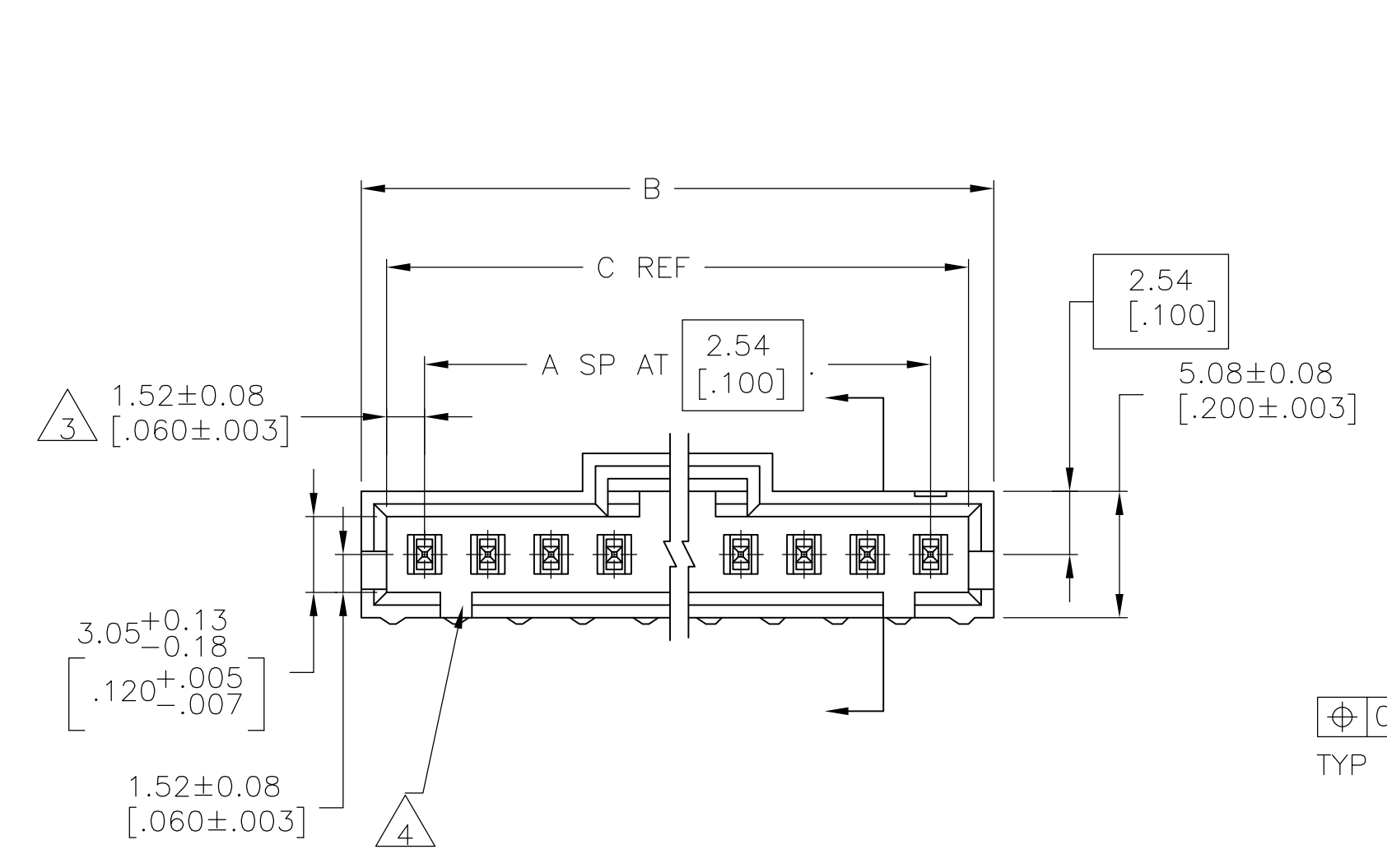
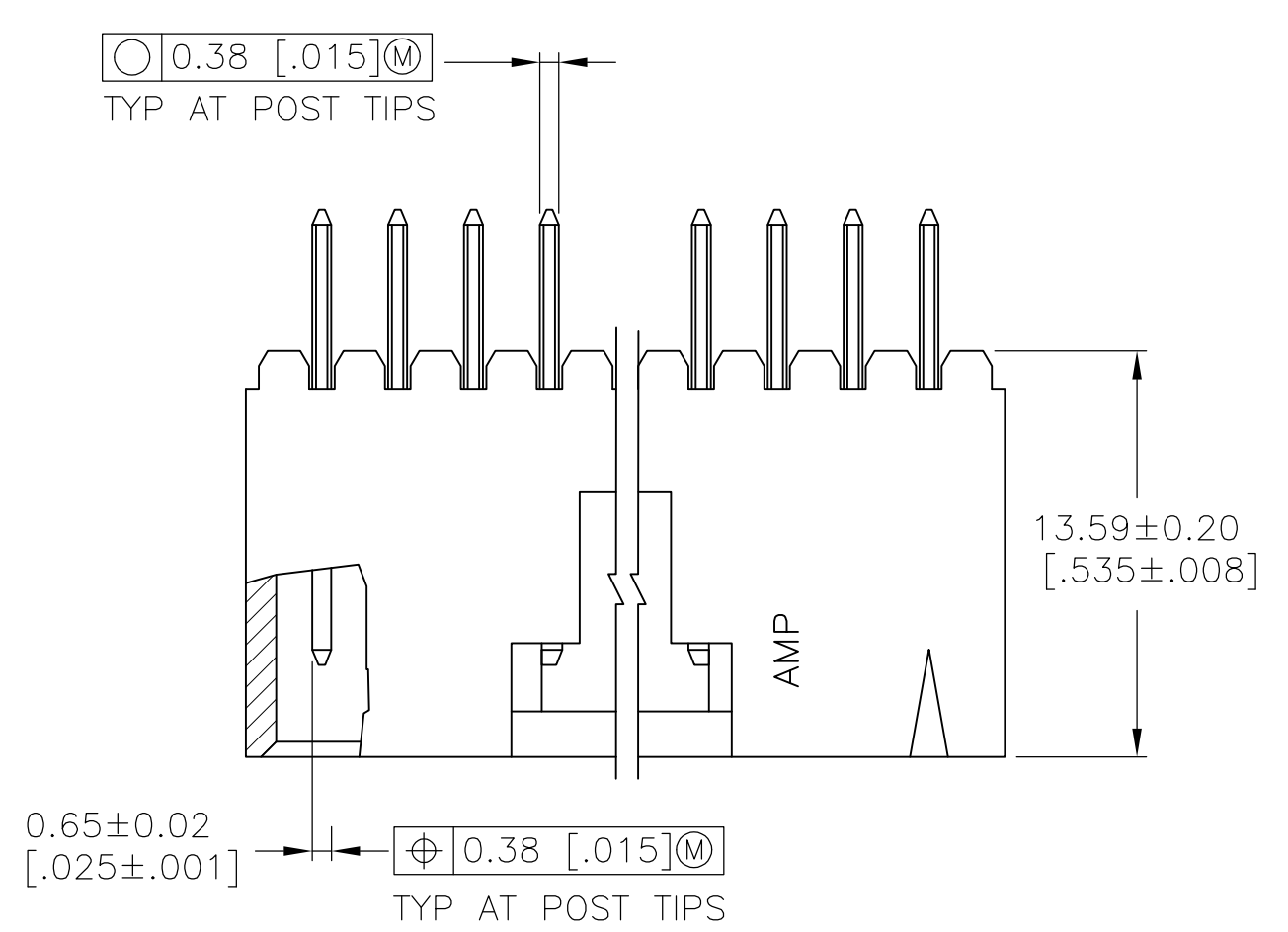


- 1 0.00076[.000030] GOLD IN THE CONTACT AREA, 0.00254[.000100] MATTE TIN-LEAD ON REMAINDER OF CONTACT, ALL OVER .00127[.000050] NICKEL.
- 2 POINT OF MEASUREMENT FOR PLATING THICKNESS.
- 3 THE NOTED DIMENSIONS APPLY AT THE INTERSECTION OF THE POST AND THE HOUSING.
- 4 ON ASSEMBLIES WITH FOUR OR MORE POSITIONS, TWO POLARIZATION SLOTS. ON ASSEMBLIES WITH TWO OR THREE POSITIONS, ONE POLARIZATION SLOT.



RECOMMENDED HOLE LAYOUT

1	18.28 [0.720]	20.32 [0.800]	6	7	1825533-2
1	36.07 [1.420]	38.10 [1.500]	13	14	1825533-1
PLATING	C	B	A	NO. OF POSN	PART NO.

THIS DRAWING IS A CONTROLLED DOCUMENT.

DIMENSIONS: mm [INCHES]	TOLERANCES UNLESS OTHERWISE SPECIFIED:	APVD: J. GESFORD	DATE: 23JAN2006	NAME: HDR ASSY, VERT, SINGLE ROW WITH PLZN & LATCHING, AMPMODU MTE
0 PLC ± -	1 PLC ± -	2 PLC ± -	3 PLC ± 0.13[.005]	4 PLC ± -
ANGLES ± -	SEE TABLE	WEIGHT	SIZE: A1	SCALE: 4:1

APPROVED: J. GESFORD

DATE: 23JAN2006

STE TE Connectivity

SIZE: A1

SCALE: 4:1

SHEET: 1 OF 1

REV: A3