

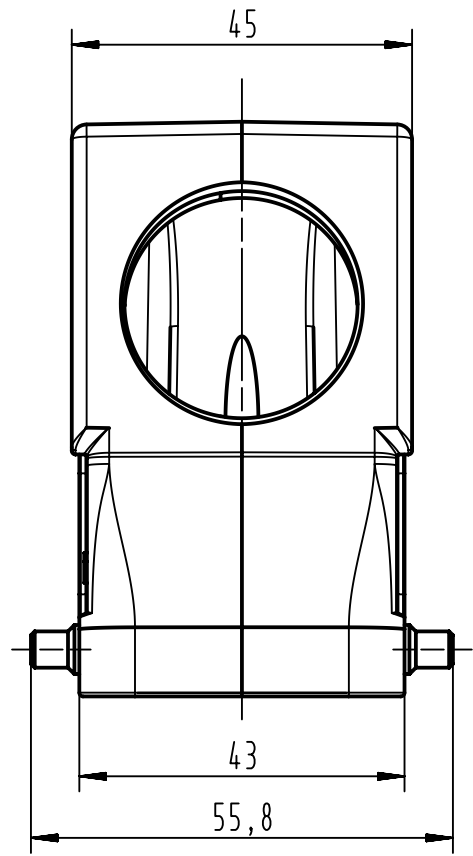
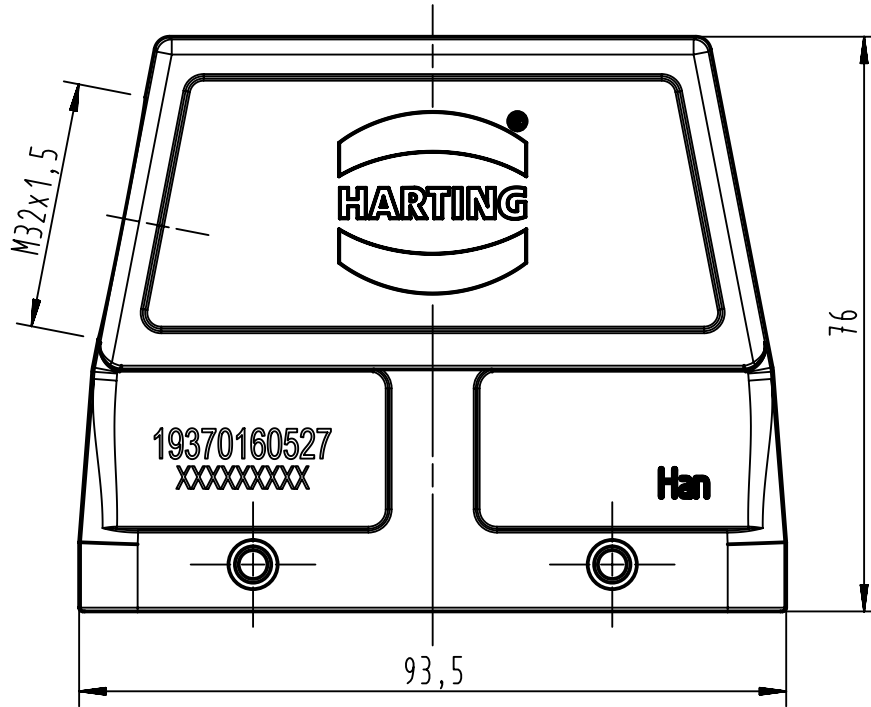
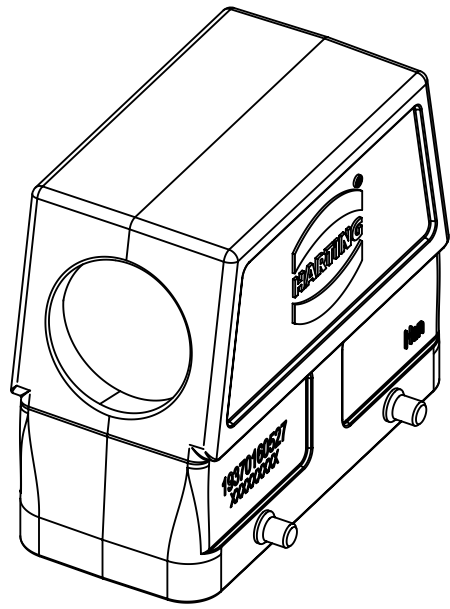
1 2 3 4 5 6

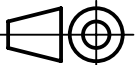

A

B

C

D



 All Dimensions in mm Original Size DIN A4	Scale 1:1		Free size tol.		Ref.		
					Sub. TB 19 37 016 0527 v. 05.12.00		
 All rights reserved Department EL PD - DE	Created by HOLLERT		Inspected by BERGHORN		Standardisation TIEMANNA		
					Date 2013-05-27		
HARTING Electric GmbH & Co. KG D-32339 Espelkamp		Title Han 16M-gs-M32				State Final Release	
		Type TB		Number 19 37 016 0527		Doc-Key / ECM-Nr. 100222908/UGD/002/B 5300000861018	
				Rev. B		Page 1/1	