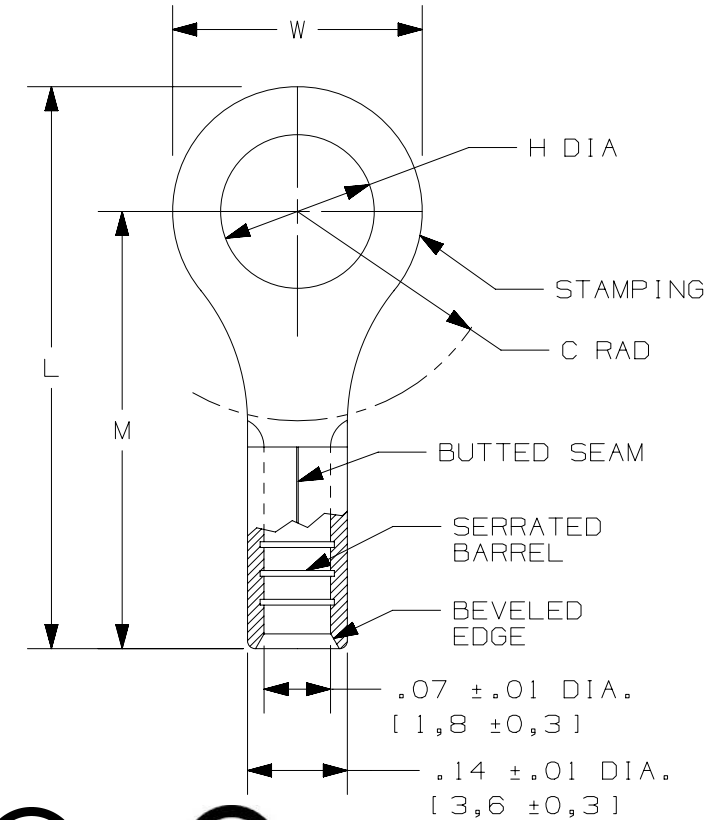


THIS COPY IS PROVIDED ON A RESTRICTED BASIS AND IS NOT TO BE USED IN ANY WAY DETRIMENTAL TO THE INTERESTS OF PANDUIT CORP.

PANDUIT PART #	STUD SIZE		DIMENSIONS in. [mm]				
	ENGLISH	METRIC	L ± .03 [0,8]	W ± .01 [0,3]	C ± .015 [0,4]	M ± .03 [0,8]	H ± .01 [0,3]
E18-4RB	#4	M2,5	.62 [15,8]	.25 [6,4]	.21 [5,3]	.50 [12,7]	.12 [3,1]
E18-6RB	#6	M3	.62 [15,8]	.25 [6,4]	.21 [5,3]	.50 [12,7]	.15 [3,8]
E18-8RB	#8	M4	.71 [18,0]	.31 [7,9]	.25 [6,4]	.55 [14,0]	.17 [4,3]
E18-10RB	#10	M5	.71 [18,0]	.31 [7,9]	.25 [6,4]	.55 [14,0]	.20 [5,1]



LISTED
587H
E52164



CERTIFIED
LR31212

NOTES:

- USED FOR:
 - A. #22-18 AWG [0,5-1,0 mm²] SOLID OR STRANDED COPPER WIRE
 - B. 302°F [150°C] MAX. OPERATING TEMPERATURE
 - C. 2000V MAX VOLTAGE
- MATERIAL:
 - A. STAMPING: .03" [0,8] THK COPPER, TIN PLATED
- INSTALLATION TOOLS:
 - A. UL LISTED AND CSA CERTIFIED: CT-100A, CT-200, CT-600A (CT-570CH), CT-1570, CT-2500 (CT-2570CH)
 - B. PANDUIT APPROVED: CT-160, CT-260
- WIRE STRIP LENGTH: 9/32" ^{+1/32}₋₀ [7,1mm ^{+0,8}₋₀]
- SEE www.panduit.com FOR PACKAGE QUANTITIES INDICATED BY PART NUMBER SUFFIX
- DIMENSIONS IN BRACKETS ARE METRIC EQUIVALENT

TITLE		STRONGHOLD RING TERMINAL NON-INSULATED, BUTTED SEAM #22-18 AWG		
		CUSTOMER DRAWING		
ITEM REVISION NAME		00123STE/00		
DATASET FILE NAME		00123STE_DC/00		
UNLESS OTHERWISE SPECIFIED, DIMENSIONAL TOLERANCES ARE: IN [mm]		PANDUIT TM SEE NOTES		
.x ± .1 [2.54] .xxx ± .005 [.13]				
.xx ± .01 [.25] ANGLES ± 5°				
DRAWING NUMBER:		SH41263		
DRAWN BY	DATE	CHK	SCALE	SIZE
JHNU	2/18	TMR	N.T.S.	A

REV	DATE	BY	CHK	APR	DESCRIPTION	ECN
00	2/18	JHNU	TMR	RGB	RELEASED	00123SH

D10100DA/12