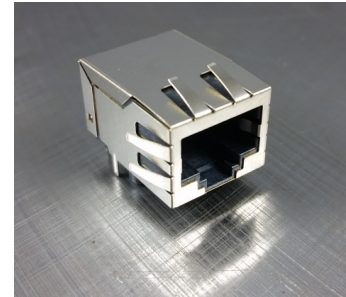




SINGLE PORT RJ45 CONNECTOR

AR11-4388I

- 10/100/1000 BaseT Gigabit for LAN and other Ethernet Applications
- Transmit open circuit inductance (OCL): 350uH (MIN) @100KHz,0.1VRMS with 8mA DC Bias
- Standard operating temp: -40°C to +85°C



Electrical Specifications @ 25°C

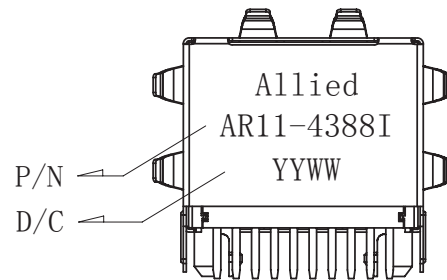
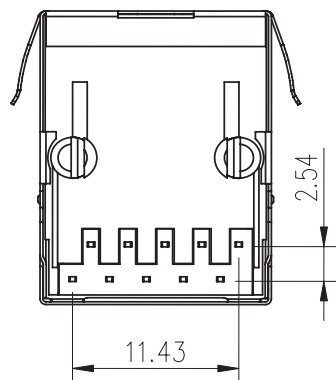
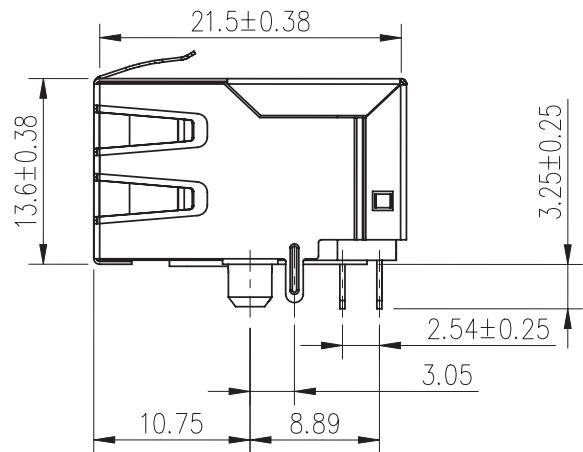
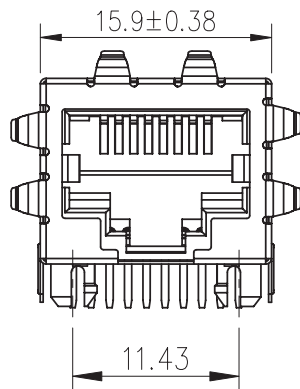
Part Number	OCL(uH Min) @ 100kHz, 0.1V	Turns Ratio: @100KHz,0.1V				Cross Talk (dB Min)	HI-POT 1.0mA 60s
	With 8mA DC Bias	P2-P3: J1-J2	P4-P5: J3-J6	P6-P7: J4-J5	P8-P9: J7-J8	1-100MHz	INPUT TO OUTPUT
AR11-4388I	350	1:1±5%	1:1±5%	1:1±5%	1:1±5%	-30	1500VAC

Electrical Specifications @ 25°C

Part Number	Insertion Loss (dB Max)		Return Loss (dB Min) @ Load 100 Ohm				CMR (dB Min)
	1-100MHz	100-125MHz	1-30MHz	30-60MHz	60-80MHz	80-100MHz	1-100MHz
AR11-4388I	-1.0	-1.2	-18	-16	-12	-10	-30

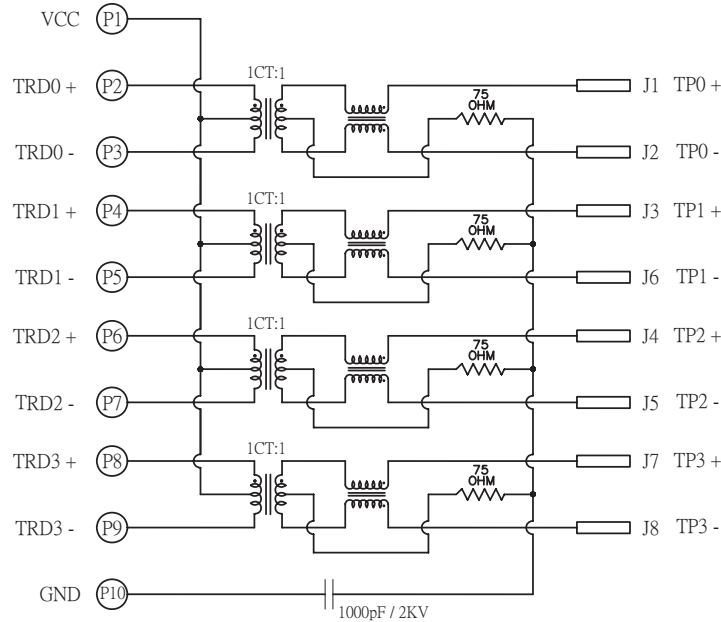
All specifications subject to change without notice.

MECHANICAL

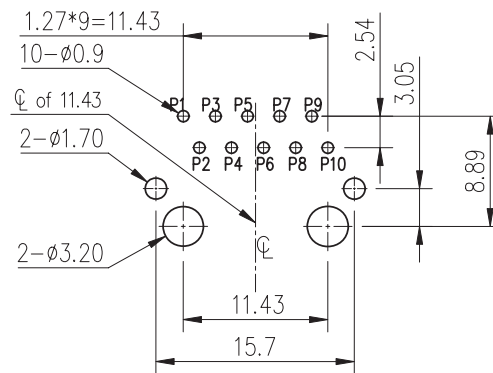




SCHEMATICS



PCB LAYOUT



RECOMMENDED PCB LAYOUT
TOLERANCE ±0.05mm(T=1.6mm)

NOTES

- 1. Shielded – 0.20mm Thickness Brass C2680 H. Plating Nickel 20u”MIN.
- 2. Housing – Plastic: Nylon 66, Glass Fiber Filled Polyester UL94V-0 Standard Color Black.
- 3. Contact Pin – Plastic: Nylon 66, Glass Fiber Filled Polyester UL94V-0 Standard Color Black. Pin: 0.35mm Thickness Phosphor Bronze C5210 EH. Plating: Nickel 30u”~60u” For All And Sn 100%, And Gold Plating 30u”.
- 4. Insert Pin – Plastic: Nylon 66, Glass Fiber Filled Polyester UL94V-0 Standard Color Black. Pin: 0.35mm Thickness SUS430. Plating: Sn All Over 30u”~60u” Nickel