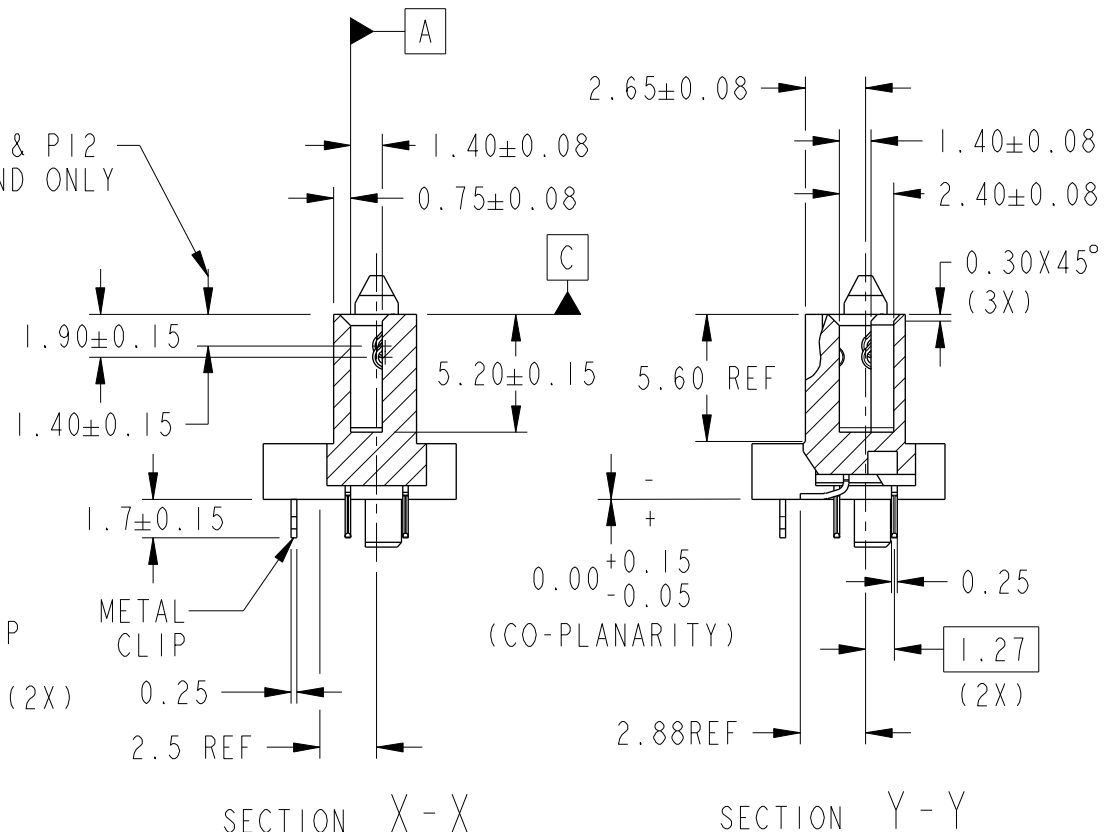
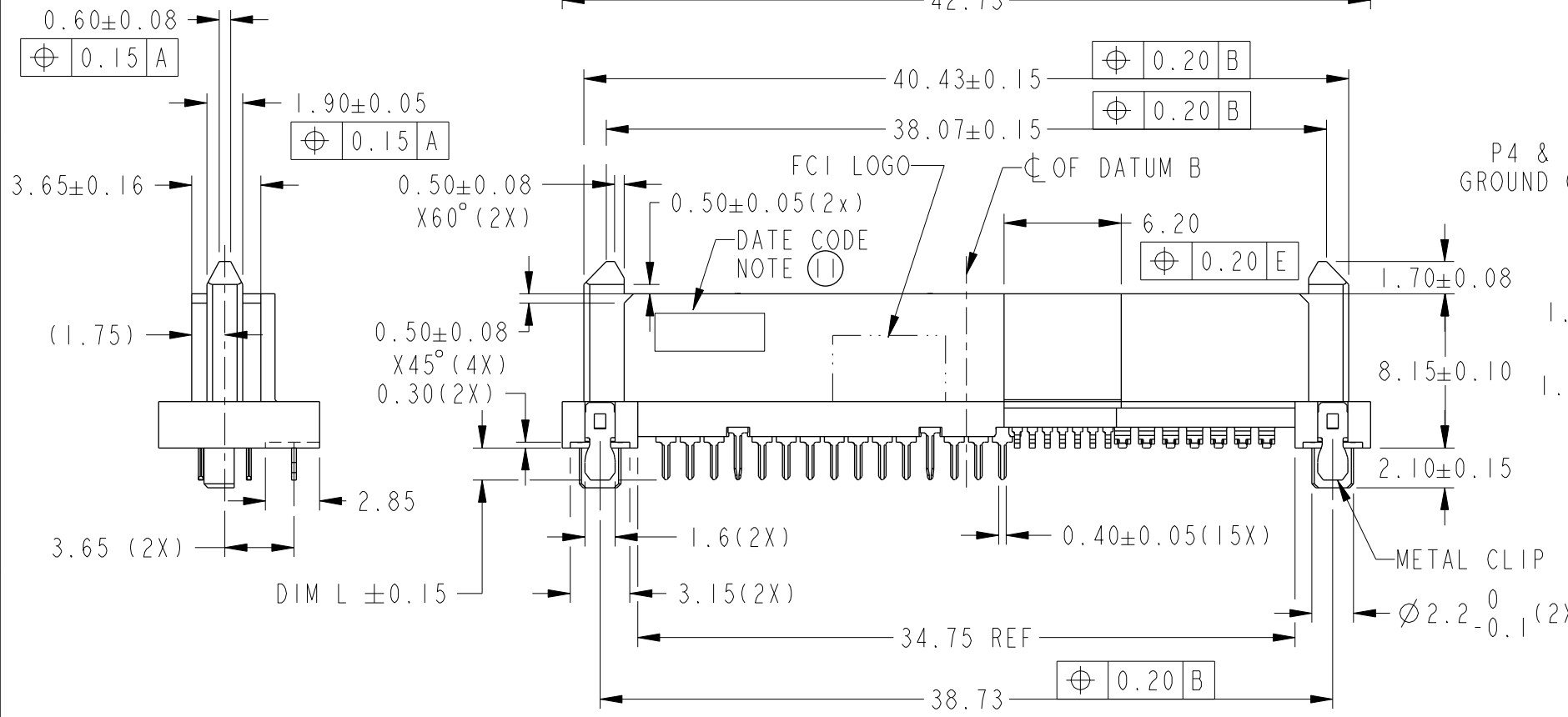
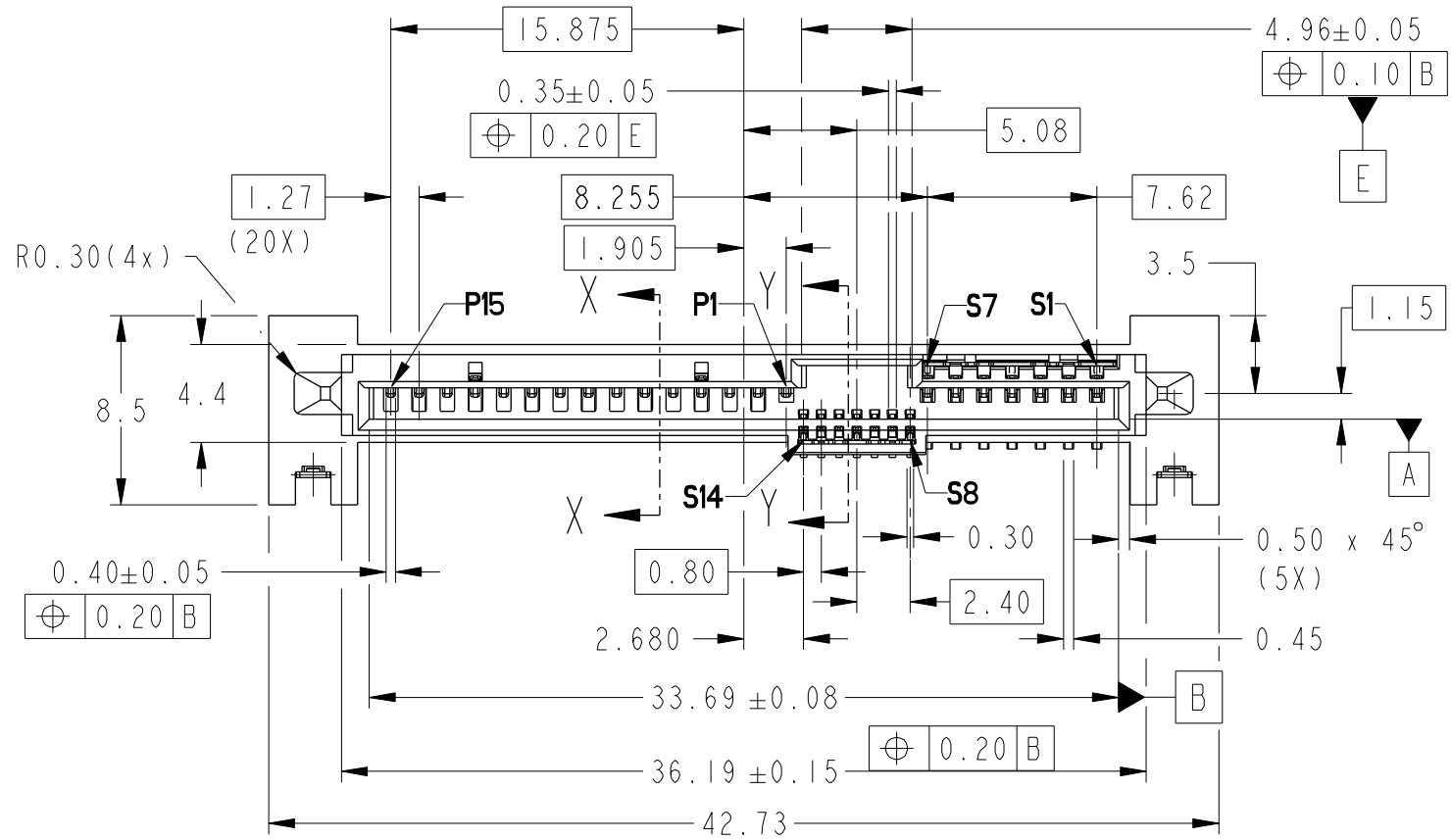


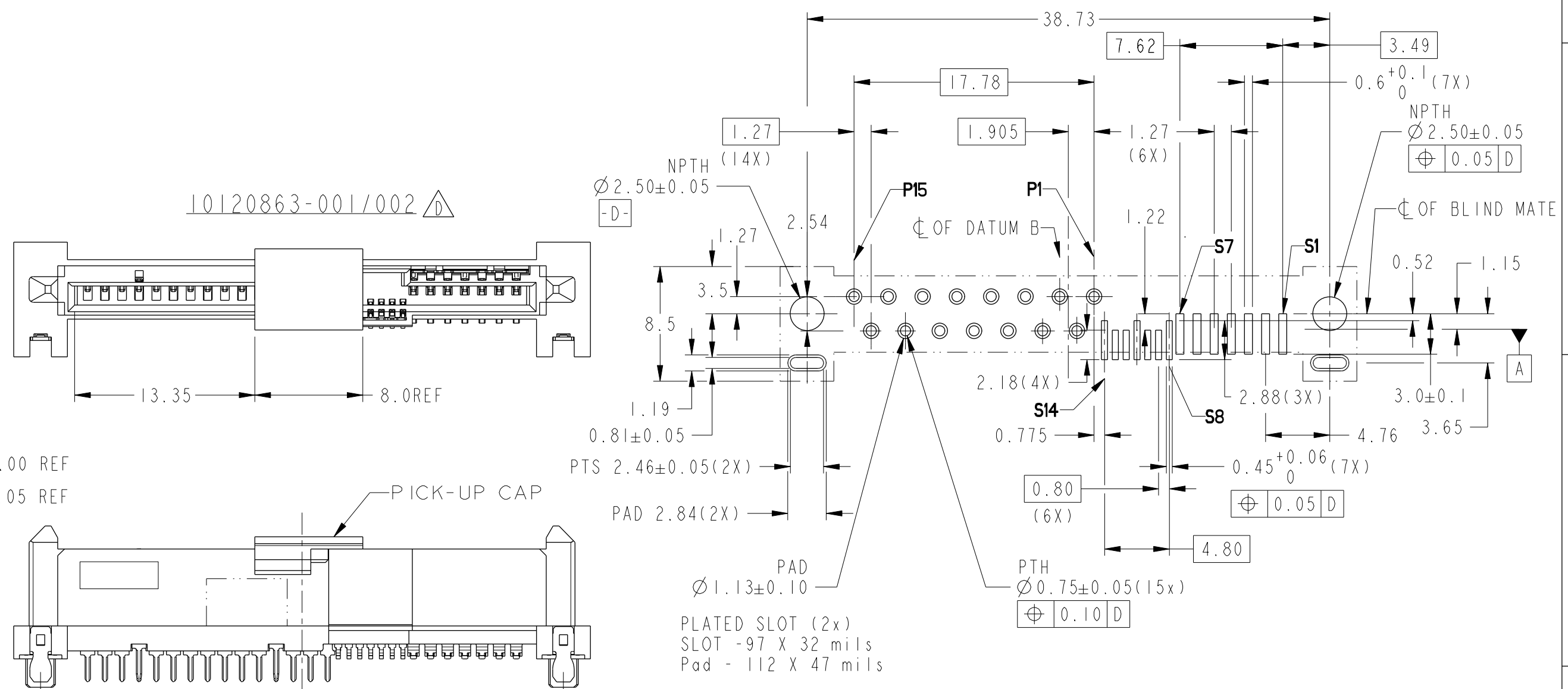
PRODUCT NO  
SEE TABLE



Amphenol FCI  
© 2016 AFCI

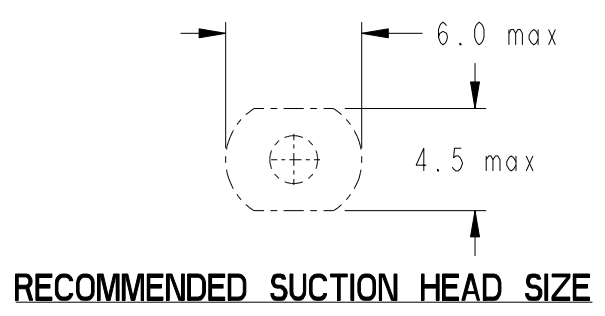
spec ref	-	dr	M Srinivasan	2013/06/19	projection	MM	size	A3	scale	3:1
tolerance std	ISO 1101	eng	Noorhazlinda	2016/11/28			ecn no	ELX-M-25293-1	rel level	Released
TOLERANCES UNLESS OTHERWISE SPECIFIED		chr	-	product family						
surface	linear	0.X	± -	<b>Amphenol FCI</b> 12G SAS RECEPTABLE WIDE BASE HYBRID TYPE ASSY	cat. no.	-	Product - Customer Drw	sheet 1 of 4	rev	D
		0.XX	±.20							
	angular	0°	±2°							
ISO 1302		appr	Koon-Poh Tay	2016/12/16	Product - Customer Drw		sheet 1 of 4		rev	

PRODUCT NO	DIM L	PICK-UP CAP	RECOMMENDED P.C. BOARD THICKNESS	TYPE OF CLIP	PACKAGING
	(SOLDER TAIL)				
10120863-001LF	1.70	NO	1.57mm (0.062") / 2.36mm (0.093") / 3.43mm (0.135")	METAL BLADE	TRAY
10120863-001CLF		YES			
10120863-001C-TRLF		YES			
10120863-002LF	2.10	NO	2.36mm (0.093") / 3.43mm (0.135")	METAL BLADE	TRAY
10120863-002CLF		YES			
10120863-002C-TRLF		YES			



PART WITH PICK-UP CAP, SEE NOTE ④


**RECOMMENDED PCB LAYOUT**

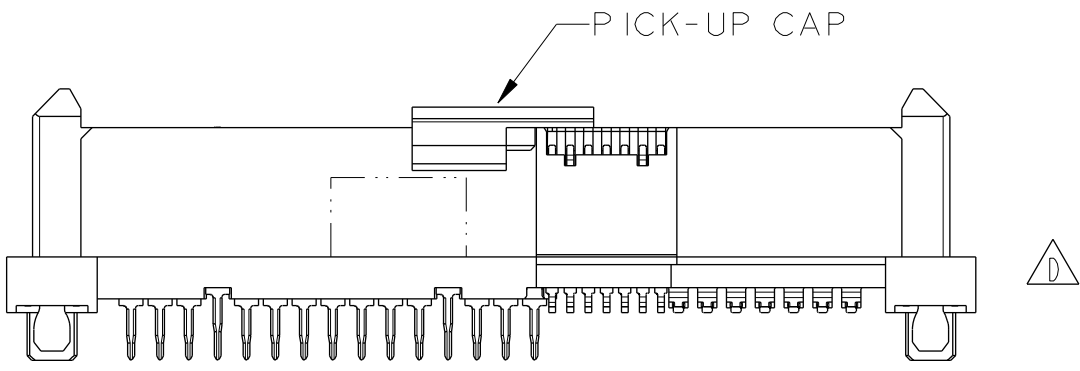
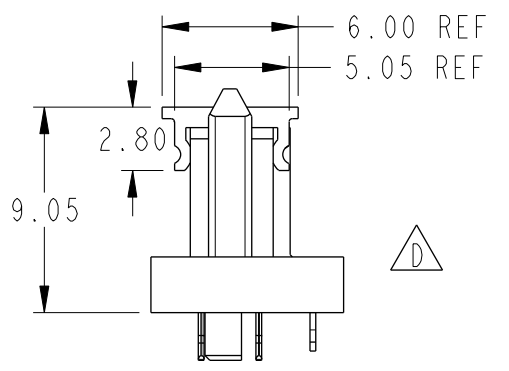
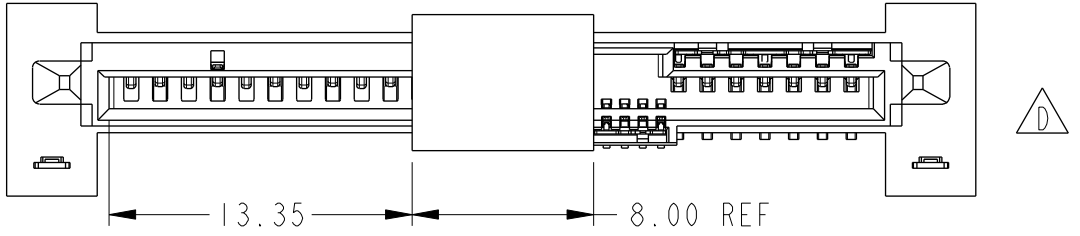


spec ref	-	dr	M Srinivasan	2013/06/19	projection	MM	size	A3	scale	3:1
tolerance std	ISO 1101	eng	Noorhazlinda	2016/11/28		SAS	ecn no	ELX-M-25293-1		
TOLERANCES UNLESS OTHERWISE SPECIFIED		chr	-	-			rel level	Released		
surface	linear	appr	Koon-Poh Tay	2016/12/16	product family	SAS		rel level	Released	
ISO 1302	angular	Amphenol FCI		12G SAS RECEPTABLE	cat. no.	-	Product - Customer Drw	sheet 2 of 4	rev	D
				WIDE BASE HYBRID TYPE ASSY						

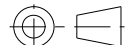
© 2016 AFCI

PRODUCT NO	DIM L	PICK-UP CAP	RECOMMENDED P.C. BOARD THICKNESS	TYPE OF CLIP	PACKAGING
	(SOLDER TAIL)				
10120863-003LF	2.10	NO	2.36mm (0.093") / 3.43mm (0.135")	METAL BLADE	TRAY
10120863-003CLF		YES			
10120863-003C-TRLF		YES			TAPE & REEL

10120863-003   
(WITH CLOSURE ON HOLD DOWN AREA)



PART WITH PICK-UP CAP, SEE NOTE ④   
SCALE 3:1

spec ref	-	dr	M Srinivasan	2013/06/19	projection		MM	size	A3	scale	3:1
tolerance std	ISO 1101	eng	Noorhazlinda	2016/11/28	chr	-		ecn no	ELX-M-25293-1		
	TOLERANCES UNLESS OTHERWISE SPECIFIED	appr	Koon-Poh Tay	2016/12/16	product family	SAS		rel level	Released		
surface	linear	0.X	± -		Amphenol FCi	12G SAS RECEPTABLE WIDE BASE HYBRID TYPE ASSY	dwg no	10120863	rev	D	
		0.XX	±.20								
	angular	0°	±2°								
ISO 1302		cat. no.	-	Product - Customer Drw	sheet 3 of 4						

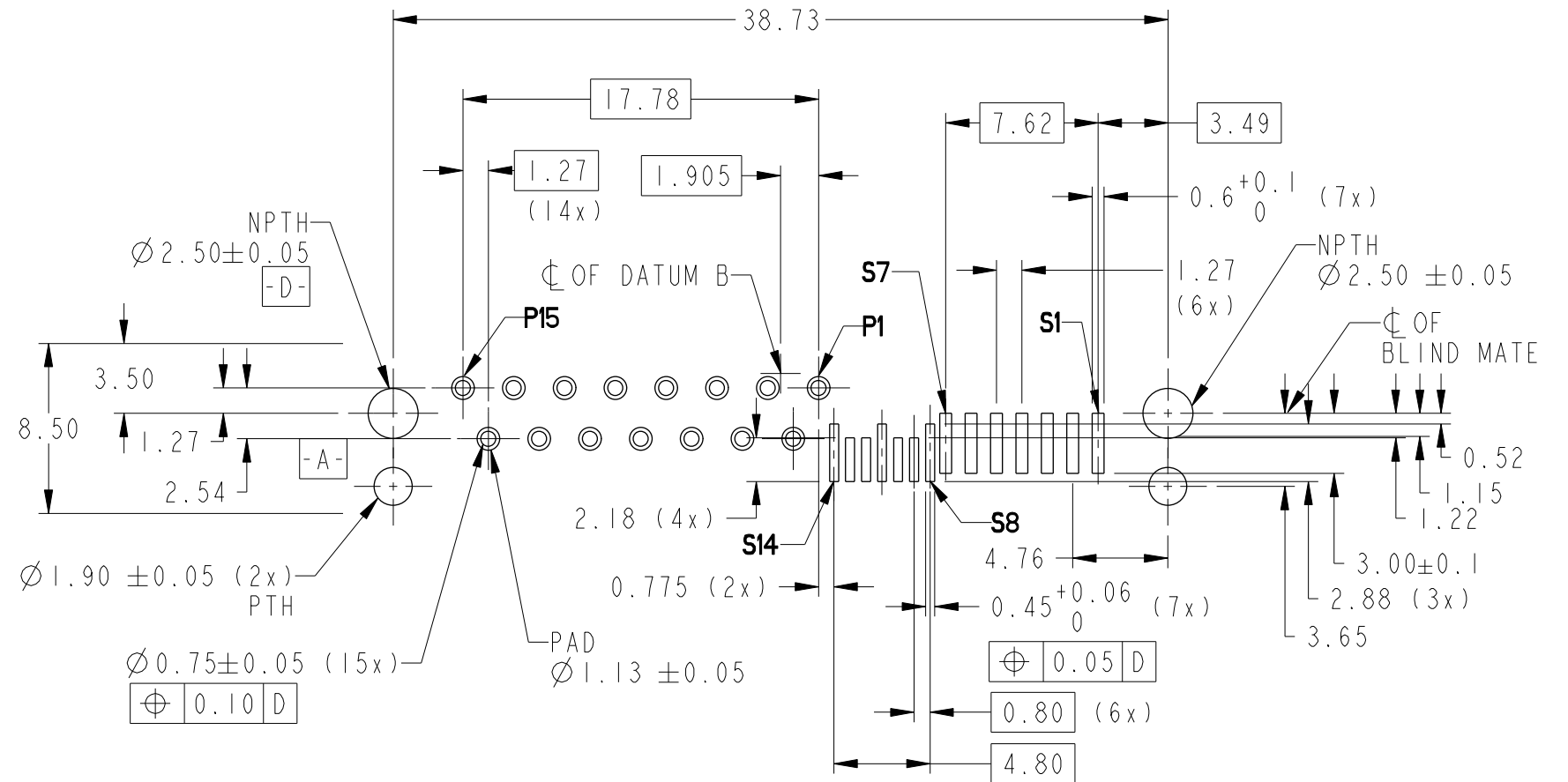
Amphenol  
FCi

© 2016 AFCi

PRODUCT NO  
SEE TABLE

NOTES:

- 1 MATERIAL:
  - 1)HOUSING: HIGH TEMP TERMOPLASTIC, UL 94V-0  
COLOR: BLACK
  - 2)TERMINAL: COPPER ALLOY
  - 3)HOLD DOWN: COPPER ALLOY
- 2 FINISH
  - 1)TERMINAL: 30μ" Au PLATING (CONTACT POINT) OVER  
50μ" NICKEL
  - 2)SOLDER TAIL: 75μ" min Sn OVER 50μ" NICKEL
  - 3)HOLD DOWN: 75μ" min Sn OVER 50μ" NICKEL
- 3 PER SFF REV 1.3 EXCEPT 0.8mm PITCH BUMP AREA
- 4 PART WITH PICK-UP CAP, P/N XXXXXXXX-XXXC LF
- 5 THE STD PACKAGING IS IN TRAY
- 6 FOR TAPE & REEL PACKAGING, SUFFIX "-TR" ADDED AFTER  
PRODUCT NUMBER (E.G. XXXXXXXX-XXXC-TRLF)
- 7 THE HOUSING WILL WITHSTAND EXPOSURE TO 260°C PEAK  
TEMPERATURE FOR 10 SECONDS IN A CONVECTION, INFRA-RED  
OR VAPOUR PHASE REFLOW OVEN.
- 8 THIS PRODUCT MEETS EUROPEAN UNION DIRECTIVES AND  
OTHER COUNTRY REGULATIONS AS DESCRIBED IN GS-47-0004
- 9 PART NUMBERS ENDING IN "LF" MEANS FOR NOTE 8 LEAD FREE  
IDENTIFICATION
- 10 A  $\Delta$  SYMBOL WILL BE NEXT TO ANY DIMENSION, VIEW OR NOTE  
WHICH HAS BEEN MODIFIED WITH THE CURRENT DRAWING REVISION
- 11 DATE CODE LOCATION. DATE CODE NO. YYWWD (E.G. 14225)
- 12 CORING AT NON FUNCTIONAL AREAS ARE SUBJECT TO CHANGE  
WITHOUT NOTICES.



PLATED HOLES (15X)  
FHS - 29.5 mils  
Pad - 44.5 mils

**RECOMMENDED PCB LAYOUT**  
(WITH ROUND SHAPE PTH FOR CLIP)

spec ref	-			dr	M Srinivasan	2013/06/19	projection	MM	size	A3	scale	1:1	
tolerance std	TOLERANCES UNLESS OTHERWISE SPECIFIED			eng	Noorhazlinda	2016/11/28			ecn no			ELX-M-25293-1	
ISO 1101				chr	-	-			rel level			Released	
surface	linear	0.X	± -		product family			-	dwg no		10120863	rev	D
ISO 1302		0.XX	±.20		12G SAS RECEPTABLE			cat. no.		-	Product - Customer Drw		sheet 4 of 4
		0.XXX	± -		WIDE BASE HYBRID TYPE ASSY			-		STATUS:Released		Printed: Jan 19, 2017	
	angular	0°	±2°										