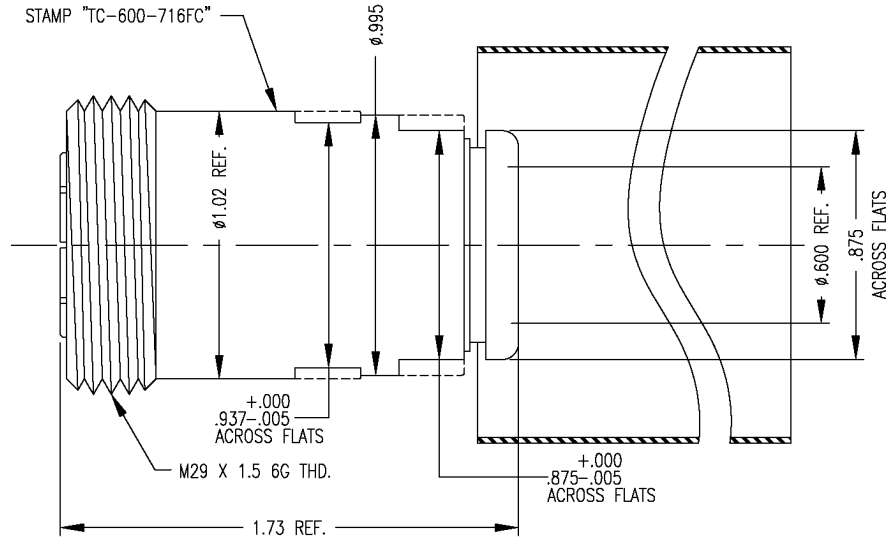


THE REVISION STATUS OF ALL SHEETS OF THIS DRAWING IS THE SAME AS SHEET 1

LTR	DESCRIPTION	DATE	BY
A	Released	3/4/96	JCL
B	Updated Sketch	6/1/06	JCL



I. MATERIALS & FINISHES

center contact: Silver Plated Beryllium Copper
 outer contact: Silver Plated Brass
 body: Silver Plated Brass
 crimp sleeve: Silver Plated Copper
 dielectric: Teflon® PTFE
 gasket: Silicone Rubber
 shrink sleeve: Adhesive Lined Polyolefin
 attachment: braid clamp

II. ELECTRICAL PROPERTIES

impedance: 50 ohms
 working voltage: 2700 vrms (max)
 vswr: 1.25:1 (max) up to 2.5 GHz
 insertion loss: 0.1 x √Fghz

Unless otherwise specified, dimensions are in inches. Tolerances are applicable when specified.

These drawings and specifications contain proprietary information which is the property of Times Microwave Systems.

Approvals		
Drawn	JCL	3/4/96

TIMES MICROWAVE SYSTEMS
 Wallingford, CT 06492
 (203) 949-8400; (203) 949-8423.Fax
 www.timesmicrowave.com

TC-600-716FC
 7/16 DIN female (plug)
 for LMR-600 Cable

Size A	CAGE CODE 68999	Drawing No.: 3190-375
Scale: NA	Rev. (A)	Sheet: 1 of 1