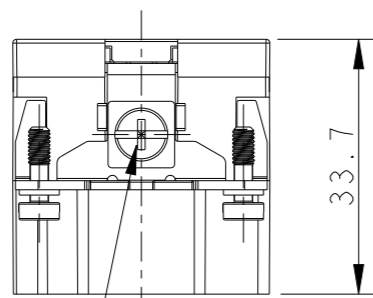
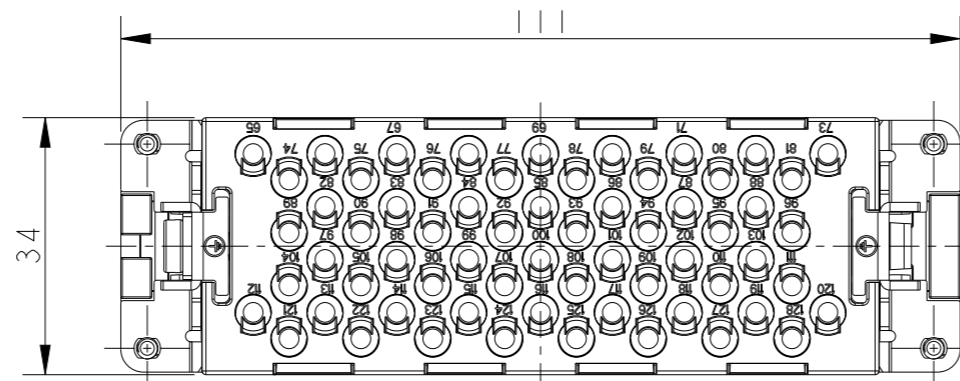
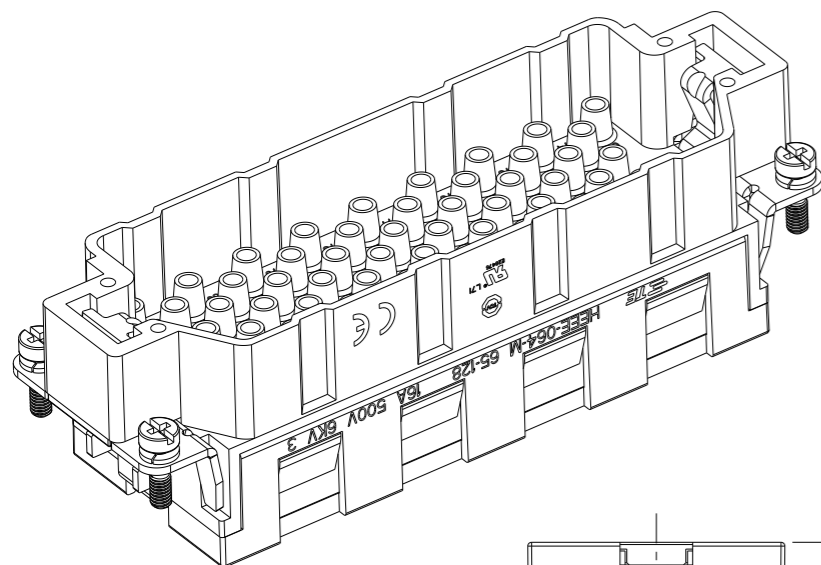


REVISIONS

P	LTR	DESCRIPTION	DATE	DWN	APVD
A		INITIAL RELEASE	01DEC2016	DL	CW
B		ECR-21-111798	03SEP2021	WQR	CW



NOTES:

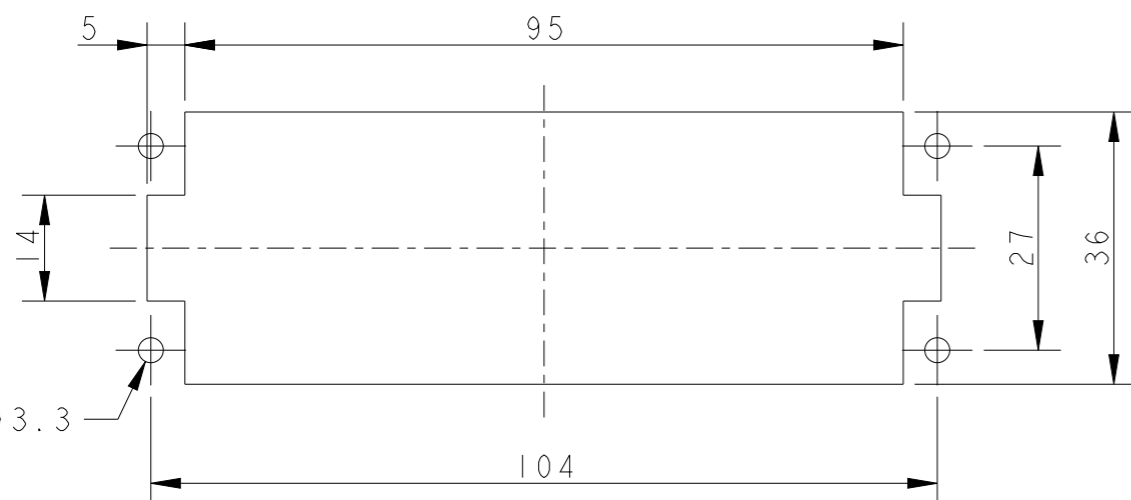
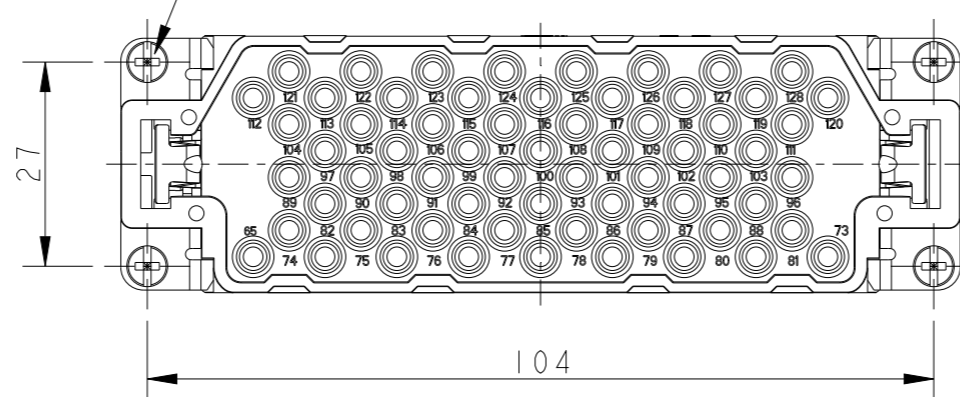
- TECHNICAL CHARACTERISTICS:
 INSULATION MATERIAL: PC
 RATED VOLTAGE: 500V
 RATED CURRENT: 16A
 INSULATION RESISTANCE: $\geq 400M\Omega$
 RATED IMPULSE VOLTAGE: 6KV
 POLLUTION DEGREE: 3
 FLAMMABILITY: UL94V-0
 MATING CYCLES: 500 CYCLES
 WIRE RANGE: $0.14mm^2 \sim 4mm^2$ (AWG26-AWG12)
 CONTACT TYPE: CRIMP CONTACT
- CONTACTS NEED TO BE ORDERED SEPARATELY.
 (ORDER No. REFER TO DRAWING: T20300X10XX000)

注释:

- 技术参数:
 绝缘材料: PC
 额定电压: 500V
 额定电流: 16A
 绝缘电阻: $\geq 400M\Omega$
 脉冲电压: 6KV
 污染等级: 3
 阻燃等级: UL94V-0
 插拔次数: 500次
 接线范围: $0.14mm^2 \sim 4mm^2$ (AWG26-AWG12)
 接线类型: 冷压接
- 端子需要单独订购。
 (订货号参考图面: T20300X10XX000)


M4 SCREW, RECOMMENDED
 TIGHTENING TORQUE 1.2Nm
 M4螺丝, 推荐扭力矩为1.2Nm

4X M3 SCREW, RECOMMENDED
 TIGHTENING TORQUE 0.5Nm
 4X M3螺丝, 推荐扭力矩为0.5Nm



PANEL CUT OUT DIMENSION FOR INSERT
 WITHOUT HOOD/HOUSING, ONLY FOR REFERENCE
 不使用防护外壳时芯件的开孔安装尺寸, 仅供参考

T2051283101-000	HEEE-064-M 65-128	HEEE-064 MALE INSERT, 65-128 HEEE-064 公插, 65-128
PART NUMBER 料号	PART DESCRIPTION 描述	

THIS DRAWING IS A CONTROLLED DOCUMENT.		DWN 01DEC2016 DAVID LI	 TE Connectivity NAME HEEE-064-M 65-128		
DIMENSIONS: mm		CHK 01DEC2016 CHRIS WANG			PRODUCT SPEC 108-137068
TOLERANCES UNLESS OTHERWISE SPECIFIED:		APVD 01DEC2016 XIANG XU			APPLICATION SPEC 114-137068
MATERIAL		WEIGHT			SIZE CAGE CODE DRAWING NO RESTRICTED TO A300779 C-T2051283101000 -
0 PLC ±- 1 PLC ±- 2 PLC ±- 3 PLC ±- 4 PLC ±- ANGLES ±- FINISH		Customer Drawing	SCALE 1:1 SHEET 1 OF 1 REV B		